

Design

The Elite universal cradle is designed to be used for liferafts from 4-16 person. This cradle is the perfect way to store and access your liferaft.

The Elite vertical cradle is fully adjustable to allow perfect fitting of liferafts from 4 person to 16 person. Made from the best marine grade 316 stainless steel this robust cradle is ideal for anyone needing a great way to store and access their liferaft. The Elite cradle is designed to be deck mounted vertically and can be used in conjunction with a Thanner or Hammar hydrostatic release unit

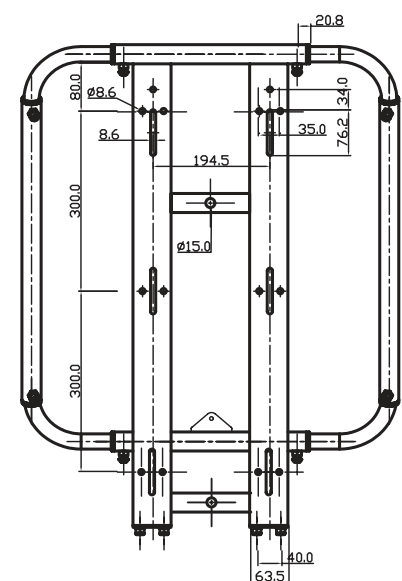
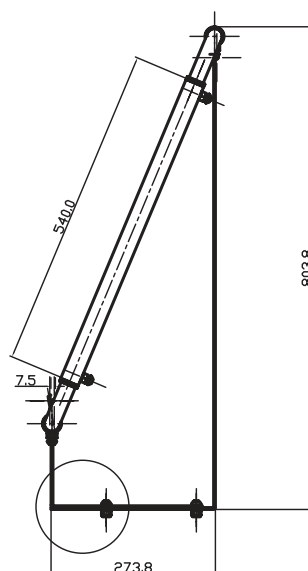
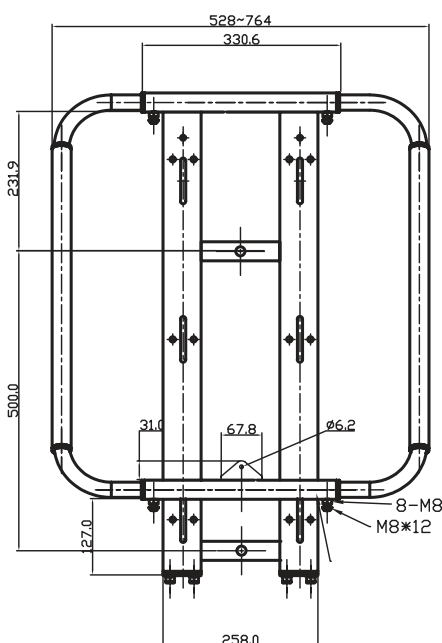


Contents

Please check all the components are included in the box before building. If any parts are missing please contact your supplier.

- Main frame
- 2 x Side tube with plastic inserts
- 4 x Corner tubes
- 2 x Webbing strap connectors attached to webbing
- 1 x D Ring with connector
- 1 x Quick release tensioning hook (Stenhouse)

Dimensions



Before fitting

The design of the Elite cradle is from high grade 316 polished stainless steel , it allows for multiple fitting applications for liferaft canisters ranging from 4 person to a 16 person (size and weight limits apply)

Vessel designs vary hugely and no two applications are the same. It is your responsibility to ensure that the cradle is fitted correctly and the surfaces to which you fix are suitable and strong enough to accept the weight of the cradle and raft.

No responsibility is taken for the suitability of this cradle to be fixed to your vessel.

The instructions are a guide on fixing the liferaft to the cradle. The correct fitting of the Stenhouse link is vital to ensure the liferaft will launch correctly.

This cradle is a multi-fit and can accept many applications of various manufacturers liferafts, it is your responsibility to make sure the cradle is structurally fitted correctly and that the liferaft can be launched safely in accordance with the manufacturers instructions. If in any doubt you should seek the advice of a professional installer.

Fitting instructions

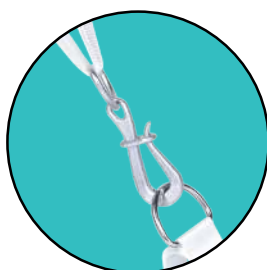


- 1) Connect longest side of the corner sections to the side tubes.
- 2) Connect the shortest edge of the corner sections to the lower tube of main frame.
- 3) Connect the shortest edge of the corner sections to the upper tube of the main frame.
- 4) Attach the webbing strap to the top part of the main frame as shown in picture.
- 5) Attach the webbing with D ring to the lower tube of main frame as shown.
- 6) Position the liferaft into the frame.
- 7) Adjustments can be made to the width by moving the location of the side sections. Adjustments to the depth can be made by changing the baseplate position.
- 8) Once you have adjusted the frame size to suit your liferaft tighten all frame fixings.
- 9) Pull the webbing over the top of the liferaft and adjust the webbing length accordingly so that the Stenhouse link can connect to the D ring webbing and close to a tight fit.
- 10) The lower D ring section has a webbing flap that should locate behind the Stenhouse link to protect the liferaft.
- 11) Release the Stenhouse link and tighten the webbing a little more.
- 12) Reconnect the Stenhouse link, it should now be harder to locate to the D ring, when closing the Stenhouse link it should create tension between the webbing straps to give a secure fit.
- 13) Once the fitting is complete any excess webbing can be heat cut to length.

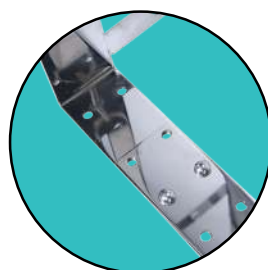
Webbing connection



Stenhouse link connection



Baseplate adjustment



Correct link fitting



The webbing harness that secures the liferaft to the cradle should be adjusted to a tight fit that does not allow any vertical or horizontal movement of the raft even in high seas or storms.

The tension on the webbing harness can be achieved by shortening the overall length of the webbing through the 3 bar adjuster buckle, you should pull the webbing through the adjuster so as to leave the Stenhouse link under tension as you lever it to the closed position.