

1

2

3

4

5

6

7

8

A

A

B

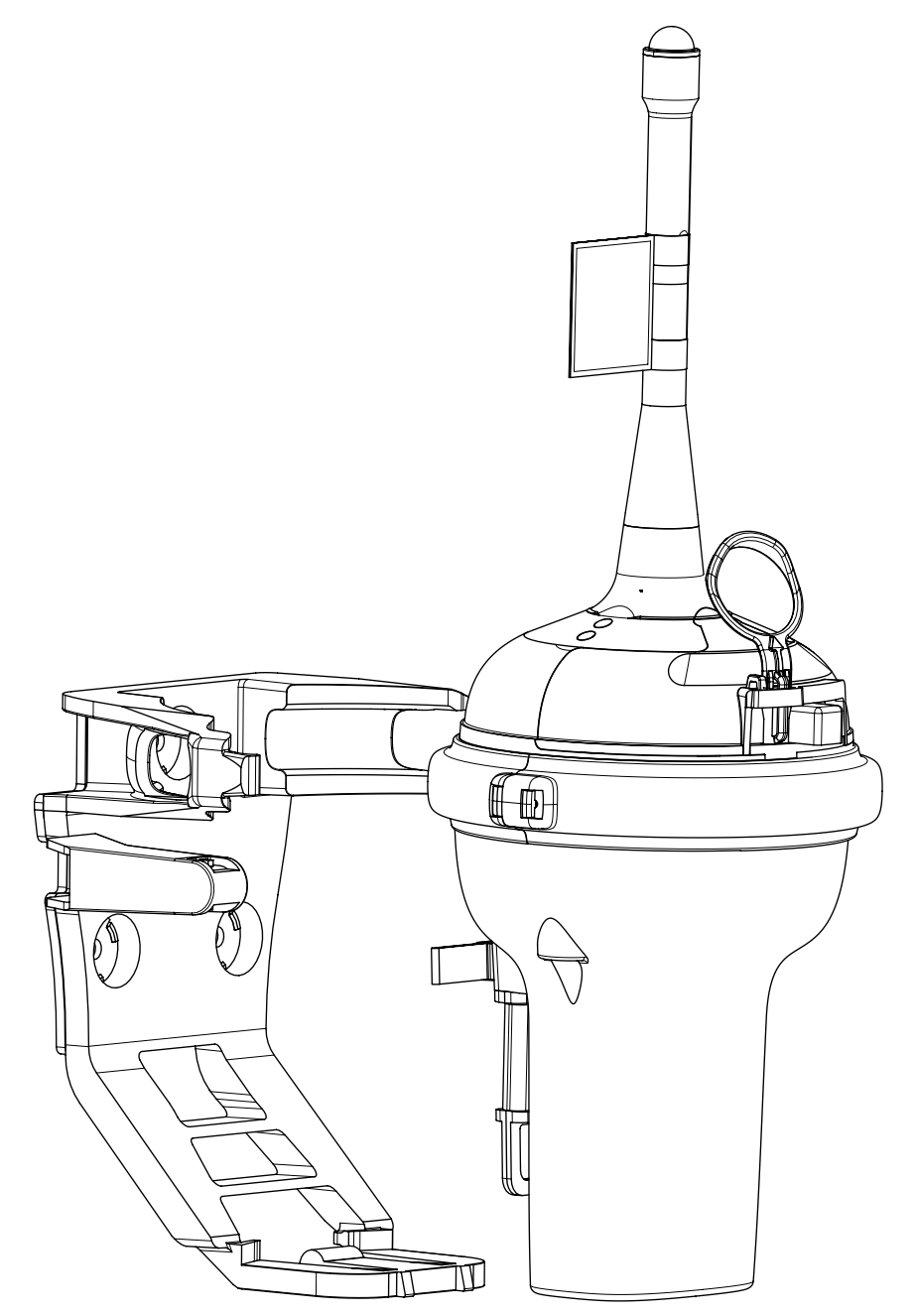
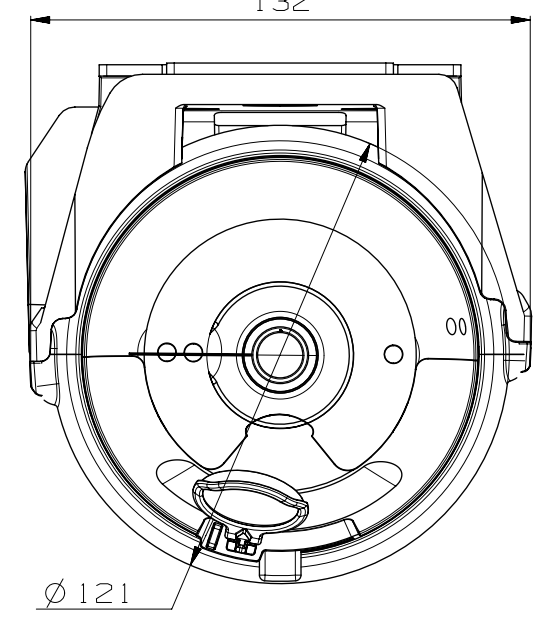
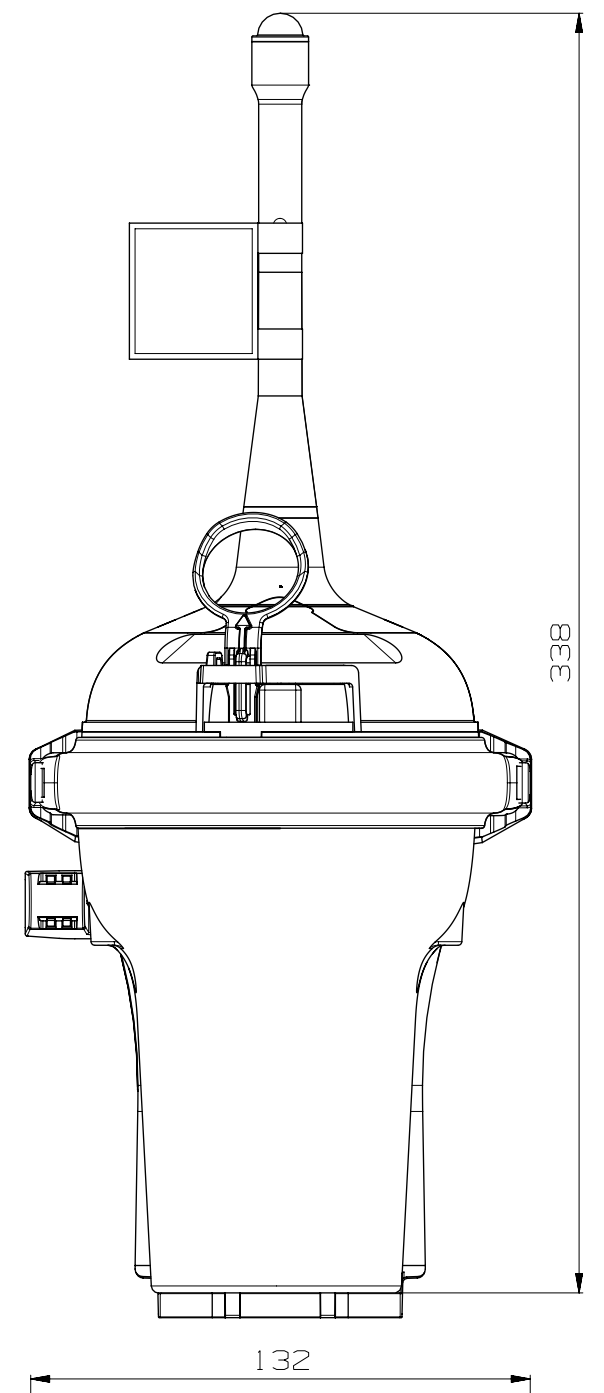
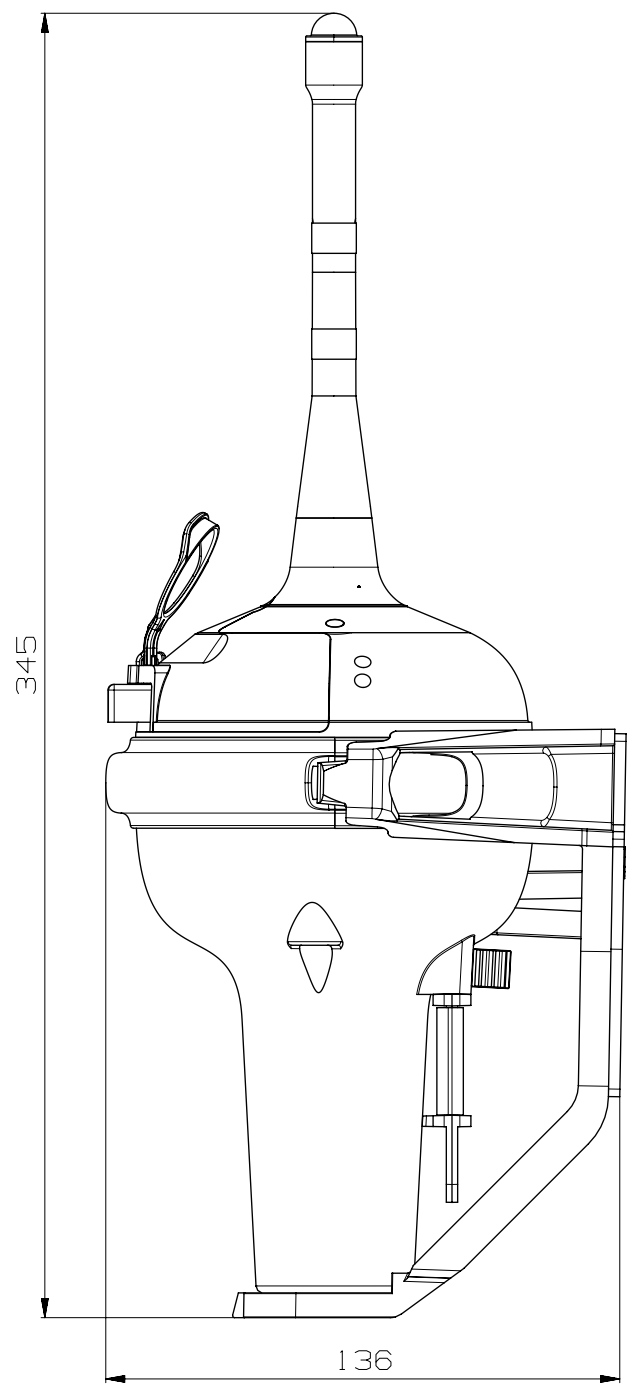
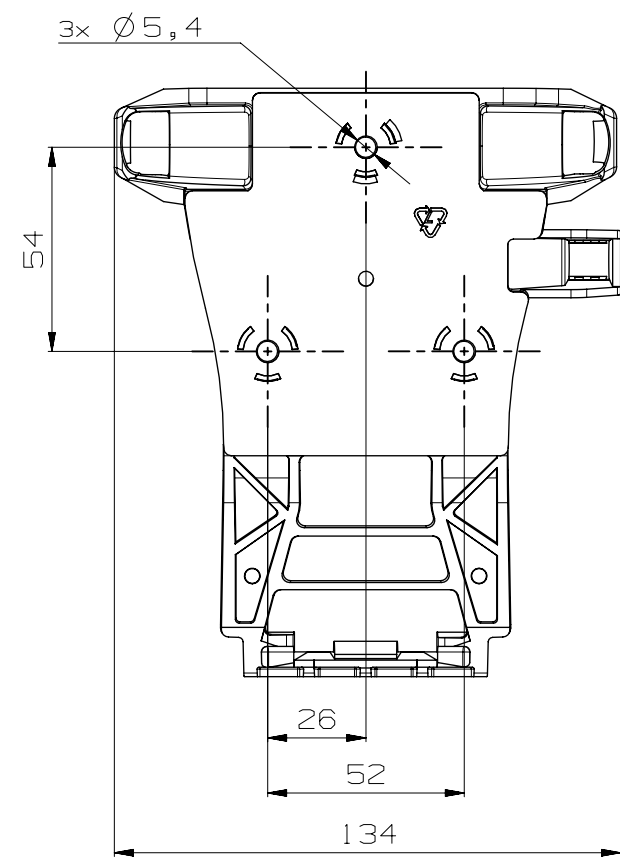
B

C

C

D

D



Rev	CO	Sign	Date	Description / Change
-	-	MK	16.11.2021	First version
Revision History				

Material/Mass:		This drawing is property of Jotron AS and must not be duplicated or used for manufacturing of any parts disclosed herein without permission from Jotron AS.		
General tolerance	Roughness Ra:			
Part Name:				
Description:		Size:	Scale:	Sheet:
General Arrangement Drawing		A3	1:2	1/1
		Part No:	Rev:	
		103180	R04	

1

2

3

4

5

6

7

8