



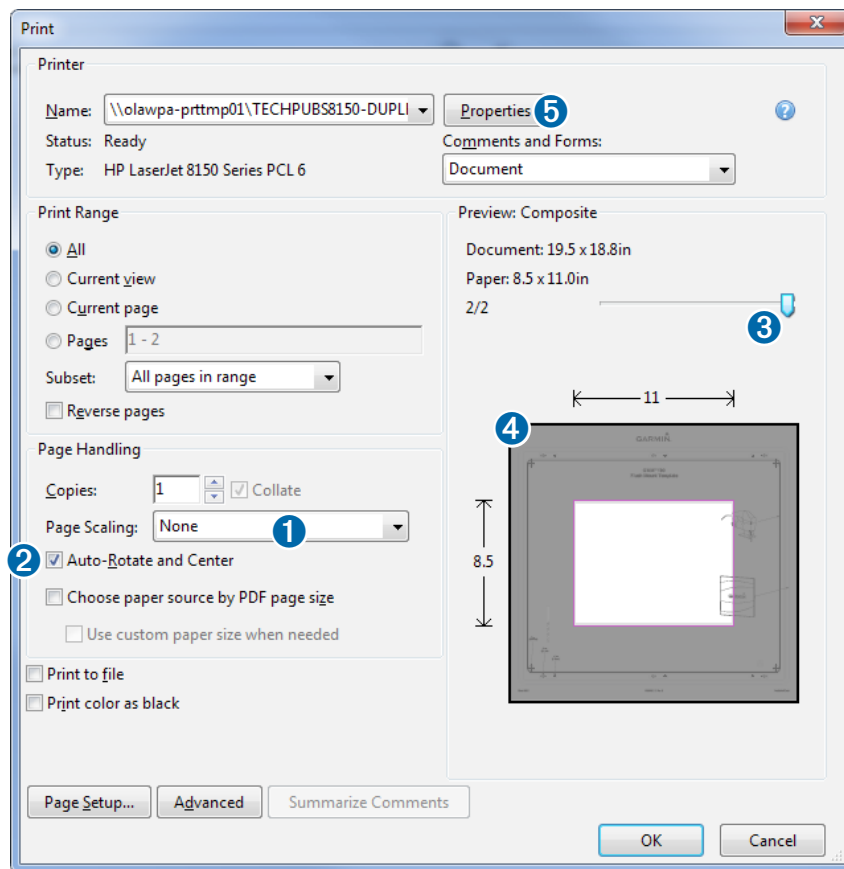
Printing a Mounting Template

NOTICE

It is not recommended that you print a mounting template on your own. Use the template that came in the product box.

If you do print the template, you must follow these instructions for printing a mounting template precisely. To print large templates, you need large enough paper and printer. Failure to have the correct sized paper and printer, or a failure to follow these instructions, may result in an incorrectly sized template and therefore an incorrect cutout (too large or too small) on the mounting surface of your boat.

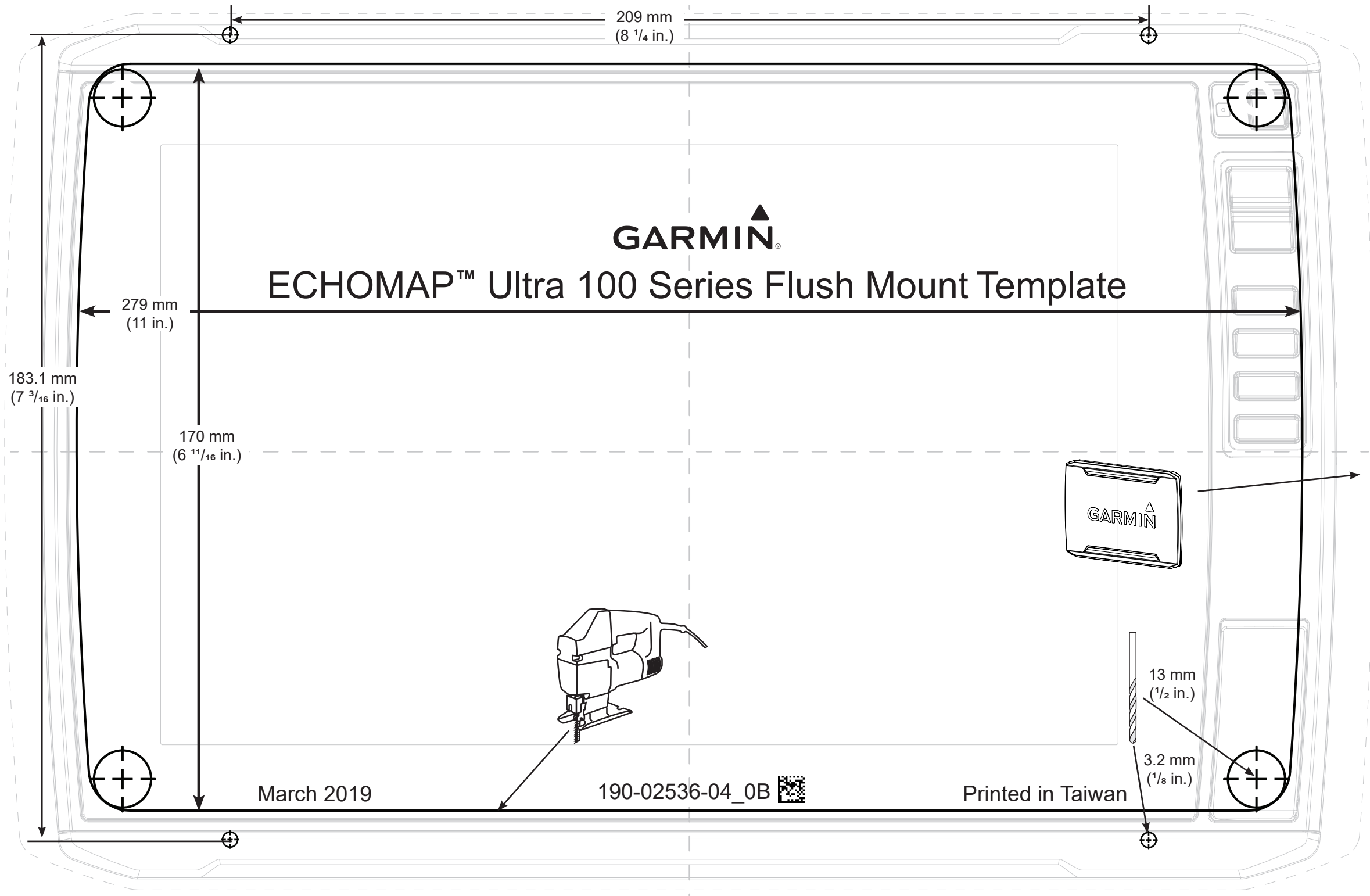
- 1 Select **File > Print**.



- 2 Select **None** for **Page Scaling** ①.
- 3 Ensure the check mark is next to **Auto-Rotate and Center** ②.
- 4 Drag the arrow ③ to the right, to view page 2 in the window below.
- 4 Verify that the paper size is larger than the template ④.
In this example, the paper is not larger than the template.
- 5 If the paper size is not large enough, select **Properties** ⑤ and select a **Page Size** that is larger than the template.

NOTICE

Garmin is not responsible for any damages or expenses resulting from a miscut mounting surface arising from a failure to follow these instructions.



209 mm
(8 1/4 in.)

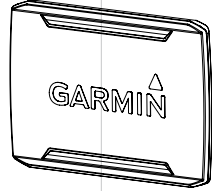
183.1 mm
(7 3/16 in.)

279 mm
(11 in.)

170 mm
(6 11/16 in.)

GARMIN

ECHOMAP™ Ultra 100 Series Flush Mount Template



13 mm
(1/2 in.)

3.2 mm
(1/8 in.)

March 2019

190-02536-04_0B

Printed in Taiwan