

**AVVISO: PERICOLO DI ALLAGAMENTO** Se la toilette è installata al di sotto della linea di galleggiamento, o può trovarsi in qualsiasi momento sotto il livello dell'acqua a causa di inclinazione o beccheggio, occorre installare dei sifoni appositamente posizionati. La non osservanza di questa importante norma potrebbe provocare l'allagamento della barca, e causare la perdita della proprietà e della vita.

**ATTENZIONE:** non collegare la toilette all'approvvigionamento di acqua potabile dell'imbarcazione. Questo potrebbe causare la contaminazione dell'acqua potabile. Nel caso in cui si desideri adoperare acqua dolce per il risciacquo della tazza provvedere un serbatoio separato per l'acqua dolce per convogliare l'acqua esclusivamente al WC.

**WARNING: FLOOD HAZARD** If the toilet is installed below the waterline, or may be below the water level at any moment because of heeling or pitching, it must be fitted with properly positioned vented-loops. Failure to do so can result in flooding, which may cause loss of property and life. **CAUTION:** never connect the toilet to the vessel's potable water, to avoid any risk of potable water contamination. If fresh water is preferred for flushing the bowl, provide a separate fresh water tank to supply water to the toilet only.

**AVERTISSEMENT: DANGER D'INONDATION** Au cas où la toilette serait installée au dessous de la ligne de flottaison, ou pourrait se trouver au dessous du niveau de l'eau à n'importe quel moment ensuite à inclinaison ou tangage, il faut la munir de boucles ventilées positionnées d'une manière adéquate. Si cette importante instruction n'est pas respectée il y a le risque d'inondation, qui peut causer perte de la propriété et de la vie.

**ATTENTION:** ne reliez jamais la toilette à l'approvisionnement de l'eau potable du bateau, pour éviter tout risque de contamination. Si on préfère de l'eau douce pour le rinçage de la cuvette, il est nécessaire de pourvoir un réservoir séparé pour l'eau douce et canaliser l'eau exclusivement à la toilette.

**WARNUNG: UEBERSCHWEMMUNGSGEFAHR** Wenn die Toilette unterhalb der Wasserlinie installiert ist, oder sich jederzeit unter dem Wasserspiegel wegen Neigung oder Stampfen befinden kann, ist es nötig dazu geeignete und angemessen positionierte Schwannenhalsventile zu montieren. Die Nichtbefolgung dieser sehr wichtigen Anweisung kann die Überschwemmung des Bootes verursachen und den Verlust des Eigentums und des Lebens als Folge haben.

**VORSICHT:** Schließen Sie nie die Toilette an die Trinkwasserleitung an, denn das könnte zu der Verseuchung des Trinkwassers bringen.

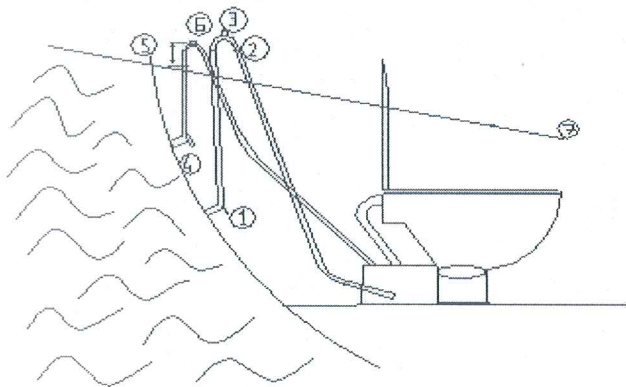
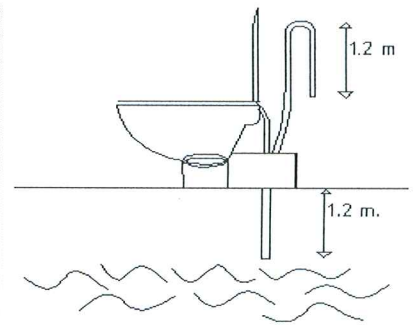
Falls Sie Süßwasser zur Schüsselspülung lieber haben, dann sorgen Sie für einen getrennten Trinkwasserspeicher woraus das Wasser nur an die Toilette geleitet werden kann.

**AVISO: PELIGRO DE ALAGAMIENTO:** Si el inodoro es instalado al debajo del nivel de flotamiento o se puede encontrar en cualquier momento al debajo del nivel del agua a causa de la inclinación o de la ondulación del barco a esto ocurre instalar los sifones en la posición correcta.

Sino se observa esta regla importante esto puede provocar el alagamiento de la nave y la pérdida de la vida.

**ATTENCION:** No conectar el inodoro a la fuente del agua potable de la nave. Esto puede causar la contaminación del agua potable de en el caso de conectar el agua dulce para el enjuague del inodoro se necesita instalar un contenedor del agua dulce, separado para mandar el agua directamente al inodoro.

- Le toilette elettriche possono essere installate sopra o sotto la linea di galleggiamento. L'altezza massima di auto-adesamento e' di un 1,2 m. L'altezza massima di scarico e' di 1,2 m.
- Electric toilets can be installed above or below the sea level. Maximum self-priming height is 1,2 m. Maximum discharge height is 1,2 m.
- Les toilettes électriques peuvent être installées au-dessus ou au-dessous de la ligne de flottaison. La hauteur d'amorçage maximale est de 1,2 m. La hauteur maximale de refoulement est de 1,2 m.
- Los inodoros eléctricos pueden instalarse por encima o por debajo de la línea de flotación. La máxima altura de autocéado es de 1,2 m., y la máxima altura de descarga es de 1,2 m.



#### Toilette unterhalb der Wasserlinie

1. 25 mm. oder 38 mm. Seeventil
2. Mindestens 20 cm.
3. 25 mm. oder 38 mm. belüftbares Schwannenhalsventil
4. 19 mm. Seeventil
5. 19 mm. belüftbares Schwannenhalsventil ausgestattet mit Magnetventil
6. Wasserlinie bei Krängung

#### Toilette al disotto della linea di galleggiamento:

1. Presa d'acqua dal mare da 25 mm. o 38 mm
2. Almeno 20 cm
3. Anello di 25 mm. o 38 mm. con apertura di ventilazione
4. Presa d'acqua del mare da 19 mm.
5. Anello di 19 mm. con apertura di ventilazione completo di elettrovalvola
6. Linea di galleggiamento durante l'inclinazione

#### Toilet below the waterline

1. 25 mm. or 38 mm. sea-cock
2. At least 20 cm.
3. 25 mm. or 38 mm. vented loop
4. 19 mm. sea-cock
5. 19 mm. vented loop complete of solenoid valve
6. Heeled waterline

#### Toilette au dessous de la ligne de flottaison

1. Passe-coque de 25 mm. ou de 38 mm.
2. 20 cm. Minimum
3. Boucle ventilée de 25 mm. ou de 38 mm
4. Passe-coque de 19mm.

5. Boucle ventilée de 19 mm. complète de soupape électronique
6. Ligne de flottaison maximale

#### Inodoro por debajo de la línea de flotación

1. Grifo al mar de 25 ó 38 mm.
2. Por lo menos 20 cm.
3. Vuelta ventilada de 25 ó 38 mm.
4. Grifo al mar de 19 mm
5. Vuelta ventilada de 19 mm. con válvula solenoide

#### Toilette sopra la linea di galleggiamento:

1. Presa d'acqua dal mare da 19 mm.
2. Valvola di ritegno d'immissione
3. Rialzo di 20 cm. sopra la base per trattenere l'acqua nella tazza
4. Presa d'acqua dal mare da 38 mm.

#### Toilet above the waterline

1. 19 mm. sea-cock
2. Inlet non-return valve
3. 20 cm. rise above the base to retain water in the toilet bowl
4. 38 mm. sea-cock

#### Toilette au-dessus de la ligne de flottaison

1. Passe-coque de 19 mm.
2. Clapet anti-retour
3. Soulèvement de 20 cm. au-dessus de la base pour maintenir l'eau à l'intérieur de la cuvette
4. Passe-coque de 38 mm.

#### Inodoro por encima de la línea de flotación

1. Grifo al mar de 19 mm.
2. Válvula unidireccional de entrada

#### Toilette oberhalb der Wasserlinie

1. 19 mm. Seeventil
2. Rückschlagventil im Spülschlauch
3. 20 cm. über der Unterkante, um Wasser in der Schluessel zu behalten
4. 38 mm. Seeventil





**MOUNTING:** Before starting the assembly, read the complete mounting instruction first.

You need:

Stainless steel bolts: 4 pcs, 8mm (5/16") diameter of length to suit the thickness of the mounting surface.

Stainless steel nuts: 4 pcs preferably self-locking. If you do not use self-locking nuts you need to add locking compound on the screws/nuts.

Stainless steel washers: 4 pcs.

Drill: Diameter 9mm.

Silicone sealant, white.

If you do not use self-locking nuts, you will need some nutlocking compound

Put the toilet in the selected position. Using the holes in the base as a guide, mark the positions for the 4 bolt holes on the mounting surface. Remove the toilet and drill 4 vertical holes, with a diameter of 9mm, through the mounting surface.

Apply the white silicone sealant to the outer rim of the bottom base.

Put the toilets on its place and tighten the fastenings securely. If you are not using self-locking nuts, use nutlocking compound.

Use the sealant around the base, towards the floor.

### OPERATING INSTRUCTIONS

The toilet is one of the most used pieces of equipment on your boat. Correct operation of the toilet is essential for the safety and comfort of your crew and craft.

#### Using the toilet

##### Control panel

The panel controls the rinse and the discharge, by one button. Button 1, One function, discharge and rinse.

##### Normal Use

Ensure that the inlet and outlet valves are open.

Push the button switch to operate flush until the bowl is thoroughly rinsed and the discharge pump has ejected the water from the base of the bowl. If the toilet has not been used for a while, and the bowl is dry, it's recommended to operate the pumps for a few seconds so the bowl gets wet. This is for preventing the toilet paper to become compact at the bottom of the bowl.

The toilet can macerate organic waste and toilet paper, but it can not destroy rags, sanitary nappies or hard and solid objects from different nature. If the pump does not discharge and the bowl begins to fill, partially close the toilet intake valve until the bowl is completely empty. Operate then for a few seconds with both valves open, so that the toilet and the whole discharge system may be completely emptied out.

After each operation, close both inlet and discharge valves.

To drain for winterization, close the inlet valve and operate for a few seconds until water is completely empty.

##### AFTER USE:

• SHUT BOTH SEACOCKS

**NOTE: Do not put any of the following into the toilet: Sanitary Towels, Wet Strength Tissues, Cotton Wool, Cigarettes, Matches, Chewing Gum or any solid objects, Petrol, Diesel, Oil, Solvents of any kind or water more than hand warm.**

**A rule of thumb: Do not put anything in the toilet unless it has passed through your body, except for toilet paper.**

##### Hazard Risk:

**ACCIDENTAL DAMAGE.** If the toilet is connected to ANY through-hull fittings that are below the waterline at any time, and if the toilet or pipework is damaged, water may flood in, causing the craft to sink, which may result in loss of life. Therefore, after every usage; both seacocks (or secondary valves) MUST be shut. Whenever your craft is unattended, even if only for a very short period of time, both seacocks (even if secondary valves are fitted) MUST be shut. Ensure that ALL users understand how to operate the toilet system correctly and safely, including seacocks and secondary valves.

Take special care to instruct children, the elderly and visitors **ABSOLUTELY SHUT SEACOCKS!**

##### Cleaning

A regular flushing with clean (sea-)water represents one of the most effective methods to keep the toilet clean and good smelling.

To clean the bowl, use any liquid or cream ceramic cleaner.

To clean the rest of the toilet, including the seat and lid, use a non-abrasive liquid cleaner Polish with a dry cloth only.

To disinfect the toilet, use a liquid disinfectant diluted in accordance with the manufacturer's instructions. It is possible to apply it to all parts of the toilet using a sponge or soft brush as necessary.

After applying any cleaning or disinfecting agent, always flush well. **DO NOT ALLOW THESE AGENTS TO STAND IN THE SYSTEM**

### Electric Connections

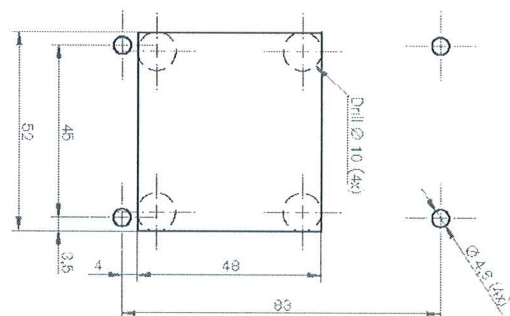
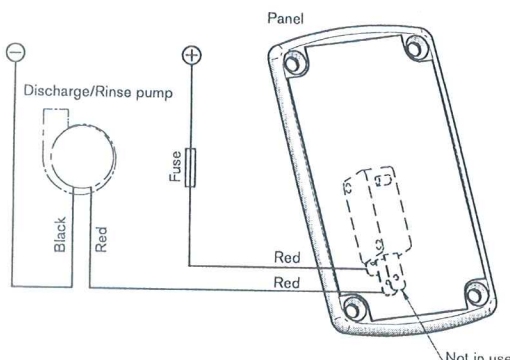
Connect the wires from the panel as follows: Red wire panel to battery (+) with proper fuse. Other red wire to re wire to pump

Connect the wires from the pump as follows: Black wire motor to battery (-)

To install the switch panel, use the template or dimensions from the template. Also, drill four appropriate sized holes for the fasteners selected to secure the switch panel to its mounting surface.

Wire size per feet and meter of run

Voltage	Fuse size	0'-10'	10'-15'	15'-25'	25'-40'	40'-60'
0m-3m	3m-4.6m	4.6m-7.6m	7.6m-12.2m	12.2m-18.3m		
12V	25A	#14 2.5 mm <sup>2</sup>	#14 2.5 mm <sup>2</sup>	#12 4 mm <sup>2</sup>	#10 6 mm <sup>2</sup>	#8 10 mm <sup>2</sup>





## ELECTRIC MARINE TOILET

This toilet model can be installed either above or below the water line. The toilet is equipped with a self-priming linear pump, which can work up to 3 meters. Discharge is made by means of the macerator pump, which is able to operate up to 2 meters in height, It can be easily mounted through 4 holes situated at the base of the macerator pump.

## MOUNTING INSTRUCTIONS

### WATER CONNECTIONS FOR INSTALLATIONS ABOVE THE WATERLINE

For a better functioning of the pump and to avoid water contamination, the fitting of a non-return valve at the end of the hose, next to the tank or the through-hull device is suggested. Connect the toilet inlet terminal to the water supply with a flexible hose of 19 mm. Connect the discharge terminal to a waste tank or another discharge system with a flexible hose of 1". To retain some water in the bowl, make a siphon on the discharge hose, at 20 cm. above the base of the bowl. Be sure that all connections are airtight and that the hose has no chokes or narrow bends.

### WATER CONNECTIONS FOR INSTALLATIONS BELOW THE WATERLINE

Disconnect the hose between the pump and the bowl. Replace it with another hose of suitable length that can make a siphon at 20 cm. above the water line. The same procedure is required for the discharge line, taking also into account the eventual variations and trim adjustments that can happen during navigation. Connect the water supply to the inlet terminal with a flexible hose of 19 mm. and connect the discharge terminal to a flexible hose of 1". Make sure that all connections are airtight and that the hose is showing no chokes or narrow bends.

### ELECTRIC CONNECTIONS

For a better functioning of the toilet, the connections have to be made with the correct size wires (see the table below). The circuit for the toilet power supply has to be independent and cannot be used for another appliances. Connect the battery positive terminal to a fuse of adequate capacity load. The fuse has to be connected near the battery to shelter the feeding line in case of fault. Thus, connect the fuse to one terminal of the switch control panel. The other switch control terminal has to be connected to the positive red colour wire of the toilet motor. Connect the negative black wire of the toilet motor to the negative terminal of the battery.

**REMARKS :** A correct motor polarity (red to positive and black to negative) is indispensable. Reverse polarity can damage the motor, thus voiding the warranty. For a correct functioning of the toilet a full voltage to the motor is necessary.

### ELECTRIC SPECIFICATIONS

## VERY IMPORTANT

#### Wire size per mmq.of run

VOLTAGE	AMP.DRAW.	FUSE SIZE	6-10 mm.	3-6 mm.	0-3 mm.
32 Volts d.c.	6	10	8	6	4
24 Volts d.c.	8	20	14	10	8
12 Volts d.c.	16	25	16	12	10

**OPERATING INSTRUCTIONS :** Insure that the inlet and the outlet valves are open. Push the button switch to operate flush until the bowl is thoroughly rinsed and the discharge pump has ejected the water from the base of the bowl. If properly used, the electric marine toilet will provide years of trouble-free service. It can macerate organic waste and toilet paper but it cannot destroy rugs, sanitary nappies or hard and solid objects of different nature. If the pump does not discharge and the bowl begins to fill, partially close the toilet intake valve until it is completely emptied. Operate then for a few seconds with both valves open, so that the toilet and the whole discharge system may be completely emptied out. After each operation close both the inlet and the discharge valves. To drain for winterisation, close the inlet valve and operate for a few seconds until water is completely discharged.

## WARRANTY

Products are guaranteed two years.

No warranty will be recognized in the following cases:  
if the bowl is broken

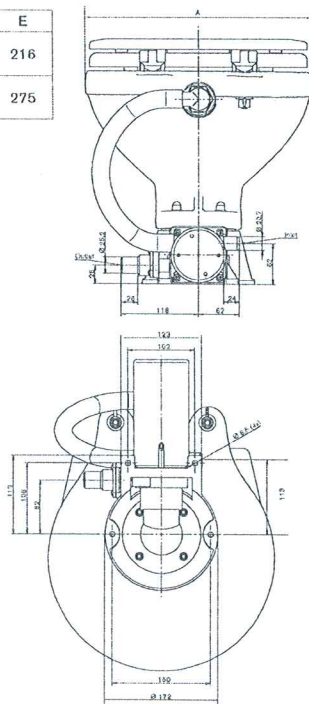
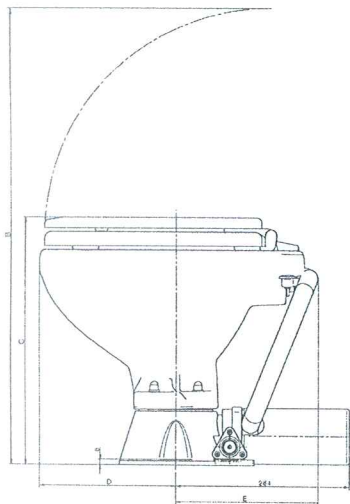
if the fitted instructions regarding the electrical system and the directions for use have not been properly followed

**Warning:** the use of strong detergents to clean the toilet is forbidden, as these products stay on the inside of the system and burn the pump rubber seals through. Eventual traces found in the claimed goods will invalidate the warranty.

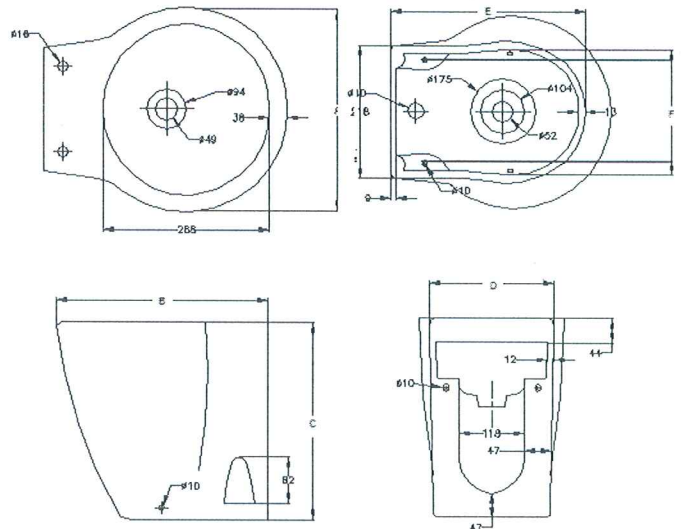
**TO TAKE ADVANTAGE OF WARRANTY, ALL ARTICLES MUST BE SENT BACK COMPLETE WITH ASSEMBLING INSTRUCTIONS AND EVIDENCE OF PURCHASE.**

### Dimensions

Description	A	B	C	D	E
Std. electric compact, 12V	345	692	373	209	216
Std. electric compact, 24V					
Std. electric comfort, 12V	366	747	380	220	275
Std. electric comfort, 24V					

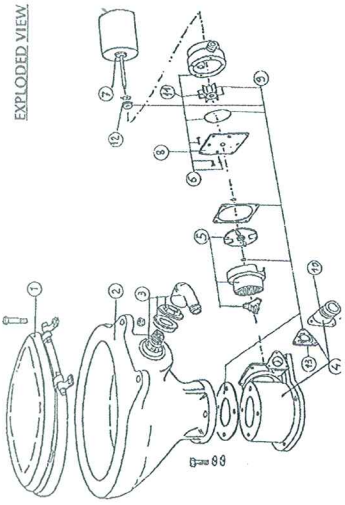


Description	A	B	C	D	E	F
Laguna electric 12v.	340	411	359	248	316	190/205



### COMPACT / COMFORT MODEL

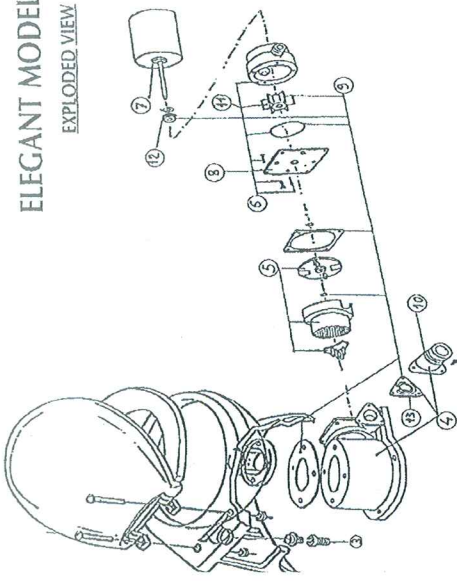
EXPLODED VIEW



- SPARE PART LIST**
- |               |                         |               |                 |
|---------------|-------------------------|---------------|-----------------|
| 01 6500000001 | WOODEN SEAT             | 08 6000007115 | PUMP FLANGE     |
| 02 6500000002 | PLASTIC SEAT            | 09 5500000000 | GASKET KIT      |
| 03 6500000500 | WOODEN SEAT LARGE SIZE  | 10 6000007005 | DISCHARGE PORT  |
| 04 6500000510 | PORCELAIN STANDARD BOWL | 11 6000001112 | PUMP IMPELLER   |
| 05 6500000550 | PORCELAIN LARGE BOWL    | 12 6000001501 | SEAL            |
| 06 6000007100 | BASE                    | 13 6000007007 | DISCHARGE VALVE |
| 07 6000007121 | MACERATOR GROUP         | 6000007105    | DISCHARGE VALVE |
| 08 6000007112 | PUMP GROUP              |               | CONNECTION 90°  |
| 09 6000007124 | MOTOR 12 V./24 V.       |               |                 |

### ELEGANT MODEL

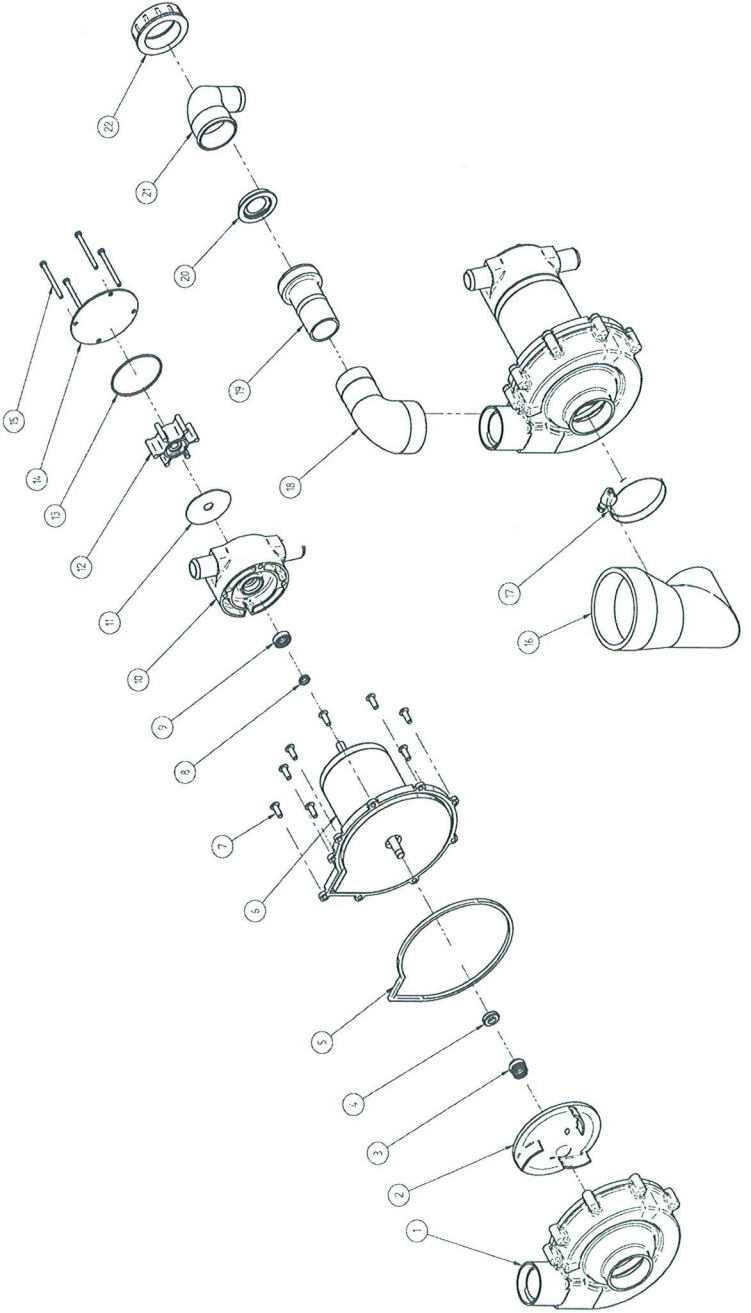
EXPLODED VIEW



- |               |                                |               |                 |
|---------------|--------------------------------|---------------|-----------------|
| 01 8500000006 | DELUXE SEAT                    | 08 6000007115 | PUMP FLANGE     |
| 02 8500000530 | DELUXE BOWLS LOW               | 09 5500000000 | GASKET KIT      |
| 03 8500000531 | DELUXE BOWLS LOW BEVELLED      | 10 6000007005 | DISCHARGE PORT  |
| 04 8500000532 | DELUXE BOWLS STANDARD          | 11 6000001112 | PUMP IMPELLER   |
| 05 8500000533 | DELUXE BOWLS STANDARD BEVELLED | 12 6000001501 | SEAL            |
| 06 8500000534 | DELUXE BOWLS STANDARD BEVELLED | 13 6000007007 | DISCHARGE VALVE |
| 07 6000007100 | BASE                           | 6000007105    | DISCHARGE VALVE |
| 08 6000007121 | MACERATOR GRO LP               |               | CONNECTION 90°  |
| 09 6000007112 | PUMP GROUP                     |               |                 |
| 10 6000002812 | MOTOR GROUP 12V.               |               |                 |
| 11 6000002824 | MOTOR GROUP 24 V.              |               |                 |

TOILET DELUXE STANDARD AND LOW MANUFACTURE FROM 2011 HAVE THE NEW PUMP VERSION IN THE EXPLODING VIEW HEREBELOW LAGUNA MODEL

### LAGUNA ELECTRIC MODEL



Part Number and Description	Item Number	Title
BASE GROUP NEW HYDRO-VACUUM PUMP CD.5500019008	1	PUMP BODY
	2	IMPELLER
	3	MECHANICAL SEAL
	4	MECHANICAL SEAL STAT
	5	PACKING
MOTOR GROUP 12V/24V. CD. 6000019112/24L	6	MOTOR
	8	SEAL
PUMP GROUP ELECTRIC TOILET CD.5500019010	9	LIPSEAL
	10	PUMP BODY
	11	WARRANTY
	12	RUBBER IMPELLER
OUTLET DISCHARGE KIT CD. 5500019005	13	O-RING
	14	COVER
	15	SCREW
	16	HOSE
	17	HOSE CLAMP
	18	HOSE
	19	CONNECTION
	20	CHECK VALVE
	21	CONNECTION
	22	NUT