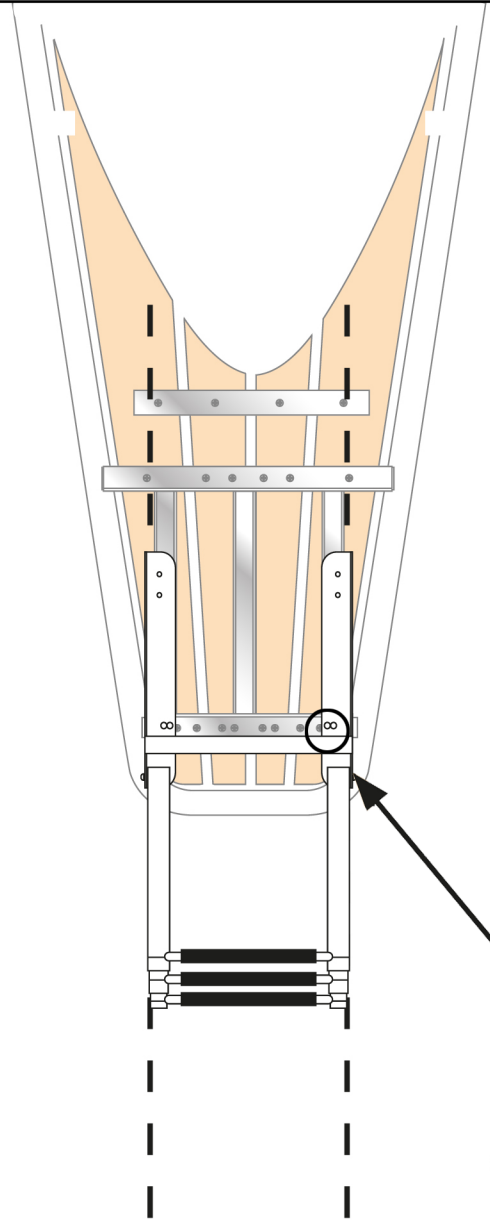
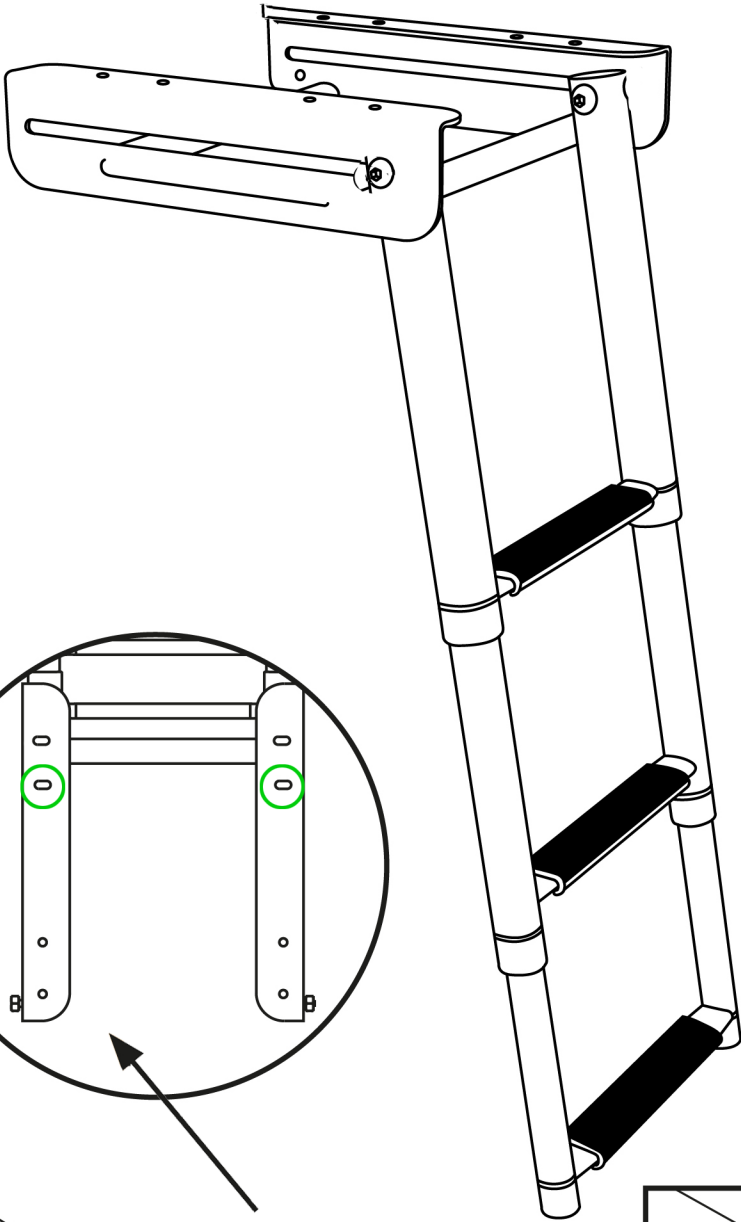
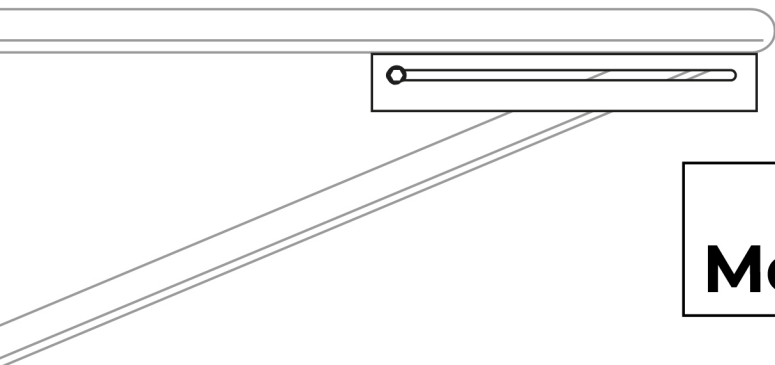
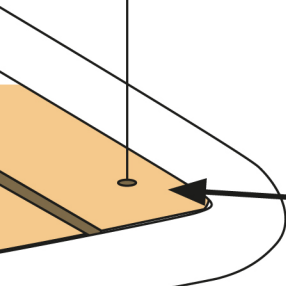


Art. No. 17104

# Mounting Instructions



x 2



x2

Ø6mm



x 2

