

# MasterFlush® 7100 and 7200 Series Toilets

## Innovative ORBIT base accommodates any plumbing angle



MasterFlush 7220 Toilet with compact marine bowl, in White color



MasterFlush 7120 Toilet with residential-style seat and bowl, in Bone color

### Maximum Installation Flexibility

Fitting a standard marine toilet in a small boat usually meant sacrificing comfort and appearance for the sake of fit and function. However, Dometic's latest engineering innovation – Omnidirectional Rotating Base Installation Technology (ORBIT) – puts a whole new spin on basic marine heads with the new MasterFlush 7100 and 7200 series of toilets.

By providing a full 360 degrees of bowl-to-base rotation, the ORBIT base can be positioned in any configuration to maximize even the smallest installation space and accommodate diverse plumbing layouts.



### 7100 Series Toilets Offer Premium Comfort for the Boatowner

Employing the same large enameled seat and deep ceramic bowl size of a residential round-front toilet, the 7100 toilet series introduces a new path to better comfort for owners of small boats. Smoothly contoured seat-to-bowl design conveys an expensive look – without the extra cost. The deep, rounded bowl also results in splash-resistance during use and while underway.

If a lower toilet height is desired, the compact size of the 7200 series bowl is 1.5 in. (38 mm) lower than the 7100 series to accommodate tighter space considerations.

### Most Effective Waste Maceration

As with all Dometic MasterFlush toilets, 7100 and 7200 series toilets assure trouble-free, odor-free performance by virtue of unmatched maceration effectiveness. A rugged, glass-filled nylon twin impeller instantly draws effluent into the macerating chamber, where the 10-blade stainless steel cutting wheel pulverizes waste and ejects it to the discharge line/holding tank.

### Key Benefits

- Full 360-degree bowl-to-base rotation allows virtually limitless positioning to accommodate small spaces and diverse plumbing layouts
- Small footprint to fit in tight spaces
- Dual-stage impeller/macerator cutting wheel pulverizes waste for most thorough waste tank pump-out
- Standard dual-function “add water/flush” switch; or optional triple-function “flush/add water/dry bowl” switch (freshwater flush models only)
- Flushes on as little as 1/3-gallon (1.2 l) of fresh water
- Integrated electric water valve on freshwater models
- Draws only 20 amps at 12 V DC; 10 amps at 24 V DC
- Freshwater and raw water flush models available
- Available in White or Bone colors
- 7100 series has large residential-style seat and bowl for premium comfort
- 7200 series has compact marine bowl



Residential-style seat and bowl of the MasterFlush 7100 series is the largest among basic macerator toilets.

# Model Specifications for MasterFlush® Toilets with ORBIT Base Design

MODEL	DESCRIPTION	VOLTAGE	WEIGHT*
7120	Medium-height electric macerator toilet, residential round-front bowl, freshwater flush switch	12 V or 24 V DC	35 lbs./ 15.9 kg
7160	Medium-height electric macerator toilet, residential round-front bowl, raw water flush switch	12 V or 24 V DC	35 lbs./ 15.9 kg
7220	Low-profile electric macerator toilet, compact marine bowl, freshwater flush switch	12 V or 24 V DC	35 lbs./ 15.9 kg
7260	Low-profile electric macerator toilet, compact marine bowl, raw water flush switch	12 V or 24 V DC	35 lbs./ 15.9 kg

White and Bone colors available. Contact sales representative for flush switch control options and other details.  
 \* Product weight only. Add 12 lbs / 5.4 kg for shipping weight.  
 Specifications subject to change without notice.

## 7100 and 7200 Series Toilet System Requirements

ELECTRICAL	Power draw	20 amps @ 12 V DC; 10 amps @ 24 V DC
	Circuit breaker/fuse	25 amps @ 12 V DC; 15 amps @ 24 V DC
	Wiring	12 ga. (up to 25 ft./7.6 m total circuit) Consult ABYC guidelines for additional information.
WATER SUPPLY	Fitting size	0.5 in. NPT - fresh water flush toilet (7120)
	Supply hose ID	0.75 in. ID - raw water flush toilet (7160)
	Flow rate	2.0 gpm/7.6 lpm minimum at toilet - fresh water flush (7120)
DISCHARGE	Lift (raw water flush only)	4 ft./1.2 m
	Plumbing ID	1.5 in./38 mm or 1 in./25 mm
	Horizontal run*	40 ft./12.2 m maximum
	Vertical run*	4 ft./1.2 m maximum to vacuum source
Holding tank capacity		30 gal./114 liters min. recommended

\* Horizontal and vertical run distances are not cumulative. Check for adequate discharge flow if installation nears one of these limits.  
 Specifications subject to change without notice.

## MasterFlush Pedestal-style Toilet Switch Panels



### Model DFS-2F

- “Add water” and normal “flush” switch
- Pressure activated – toilet flushes as long as switch is pressed
- **Standard** with model 7120, 7220 freshwater flush toilets



### Model DFS-1F

- “Normal “flush” switch
- Pressure activated – toilet flushes as long as switch is pressed
- **Standard** with model 7160, 7260 raw water flush toilets

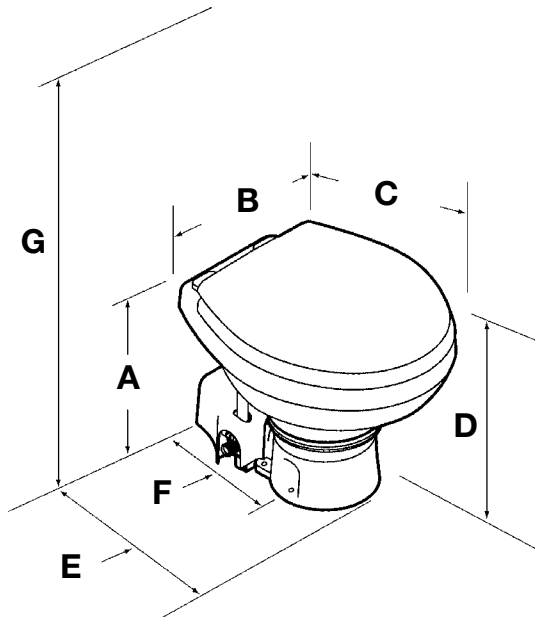


### Model DFST

- “Normal” flush switch on left side
- “Add water” and “dry bowl flush” switch on right side
- Pressure activated – toilet flushes as long as switch is pressed
- **Optional** with model 7120, 7220 freshwater flush toilets

## Dimensions

REF.	7120, 7160	7220, 7260
A	14.75 in. / 375 mm	13.25 in. / 337 mm
B	15 in. / 381 mm	14.5 in. / 368 mm
C	19 in. / 483 mm	18.75 in. / 476 mm
D	13.75 in. / 349 mm - seat height	12.25 in. / 311 mm - seat height
E	13.75 in. / 349 mm	13.75 in. / 349 mm
F	10 in. / 254 mm	10 in. / 254 mm
G	28.75 in. / 730 mm - seat lid up	26.25 in. / 667 mm - seat lid up



All dimensions may vary  
 ± 0.375 in. (10 mm)