

BlueHeat Air Heaters

Air Top – Perfect Heat on Demand

The Webasto Air Top air heaters provide continuous heating power output via stepless modulation, ensuring constant cabin temperatures. The heater operates quietly and consumes very little electrical power and fuel.

A robust composite casing protects the unit against high temperatures or salt. Moreover sealed control electronics and connectors withstand the marine environment.

Air Top 2000 ST – quiet comfort

The Air Top 2000 ST is the smallest air heater on the market. It offers excellent heat output and optimal economy.

Air Top Evo – the smart multi mode heaters

High-performing, compact and quiet, the heaters are ideally suited for the most rigorous requirements. The Air Top Evo 3900 and 5500 can be upgraded with the new multi mode user interface to offer additional operation modes depending on individual heating requirements (ECO, power and ventilation).



Product Highlights:

- Short heating up times thanks to efficient output
- Available kits for quick and simple retrofitting
- Stepless modulation for constant temperatures
- Multi mode operation to match your individual heating power demands (Air Top Evo):
 - ⤴ ECO mode for reduced electrical power consumption
 - ⤴ Power mode PLUS for +10% increased heating power output (from 3,500 W to 3,900 W and from 5,000 W to 5,500 W)
 - ⤴ Ventilation mode to provide fresh and cool air to cabins on a hot day



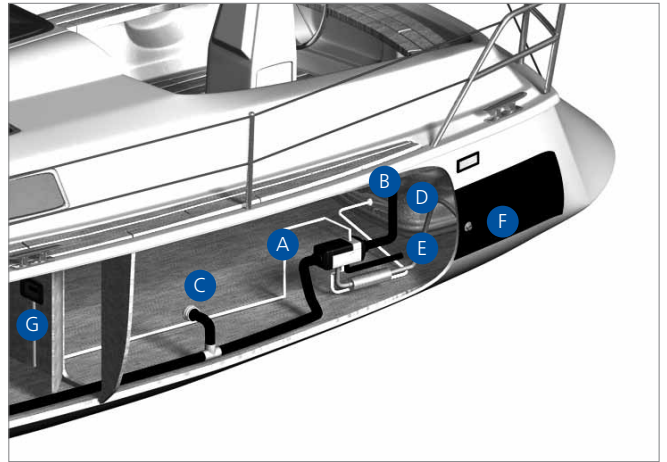
For the complete Webasto range of accessories, please refer to the Marine catalogue.



Multi-mode Air Top Evo control

Installation example for BlueHeat air heater:

- A** Heater unit
- B** Fresh air intake
- C** Warm air outlets
- D** Safe and clean: the fuel system
- E** Combustion-air intake
- F** Stainless steel exhaust
- G** Controls – simple and logical to use



Technical Specifications:

Model	Air Top 2000 ST	Air Top Evo 3900*	Air Top Evo 5500*
Heat output (kW)	0.9-2.0	1.5-3.5 (3.9)**	1.5-5.0 (5.5)**
Fuel, fuel consumption (l/h)	Diesel, 0.12-0.24	Diesel, 0.17-0.42 (0.47)	Diesel, 0.17-0.60 (0.66)
Rated voltage (V)	12	12 / 24	12 / 24
Rated power consumption (Watt)	14-29	15-40 (50)	15-95 (116)
Net weight (kg)	2.6	5.9	5.9
L x D x H (mm)	311 x 120 x 121	423 x 148 x 162	423 x 148 x 162

* Air Top Evo 3900 and Air Top Evo 5500 deliver the boosting power of 3900 or 5500 W only in combination with the new Air Top Evo M user interface.

** Booster mode Air Top 3900 max. 60 min., Air Top 5500 max. 30 min.

The values stated include a tolerance of approx. +/- 10% typical for heaters

Technical specifications are subject to change without prior notice.



Webasto double wall wall through hulls



Webasto exhaust silencer



Webasto hot air ducting system (HADS)

Advice · Installation · Service