

# MLS-410PA

External Speaker with 10 Watt Amplifier

# MLS-410LH

Loud Hailer Intercom Speaker

# MLS-410SP

External Speaker

YAESU MUSEN CO., LTD.

Tennozu Parkside Building  
2-5-8 Higashi-Shinagawa, Shinagawa-ku, Tokyo 140-0002 Japan

YAESU USA

6125 Phyllis Drive, Cypress, CA 90630, U.S.A.

YAESU UK

Unit 12, Sun Valley Business Park, Winnall Close  
Winchester, Hampshire, SO23 0LB, U.K.

## Installation

### ① Mounting Bracket Installation

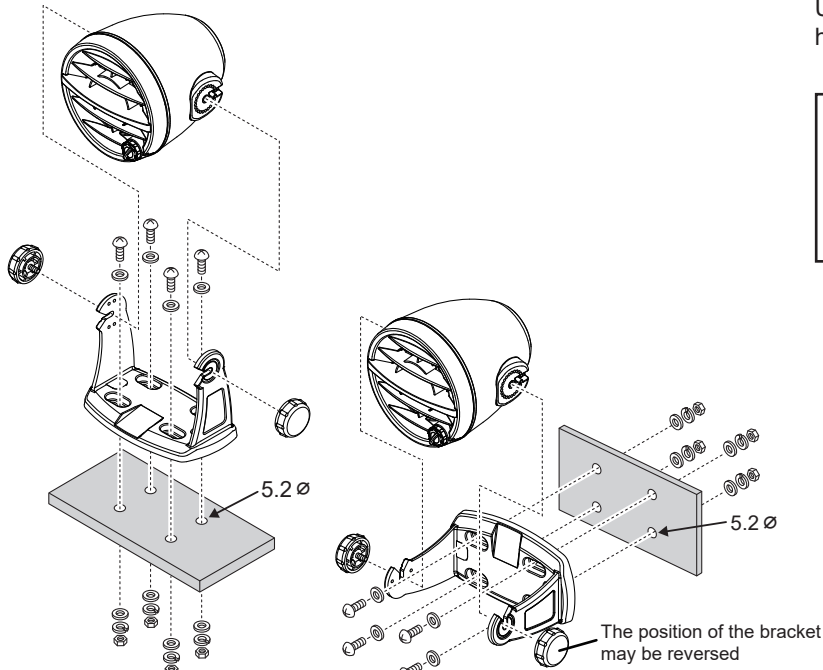


Figure 1 (Desktop Mount)

Figure 2 (Wall Mount)

### ② Flush Mount Installation

Use the template to mark the location, then make the round hole.

#### NOTE

Confirm the space behind the dash or panel is deep enough to accommodate the speaker:

**MLS-410PA:** at least 4.9 inch (125mm) deep

**MLS-410LH and MLS-410SP:** at least 2.8 inch (70mm) deep

Prepare the four supplied screws

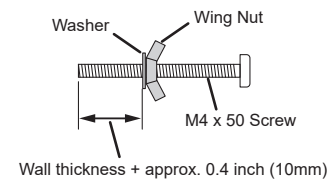


Figure 3

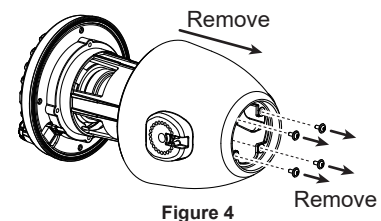


Figure 4

## Specifications

### ● MLS-410PA

Supply Voltage:

13.8VDC  $\pm$ 15%

Current Drain:

1.5A @13.8VDC, VOL Knob MAX,

Audio Input Level: 700mVrms

Audio Input Level:

700mVrms (Nominal)

1Vrms (Maximum)

Input Impedance:

1.8k $\Omega$  (Approx.)

Speaker Impedance:

8 $\Omega$

Audio Output:

8W @13.8VDC, 10% THD

Audio Input Level: 700mVrms

Maximum Audio Output:

10W @13.8VDC,

Audio Input Level: 700mVrms

Operating Temperature:

-4°F to +140°F (-20°C to +60°C)

Connection Cable Length:

6.5 feet (2 m)

### ● MLS-410LH/SP

Speaker Impedance:

4 $\Omega$

Maximum Audio Input:

10W

Connection Cable Length:

6.5 feet (2 m)

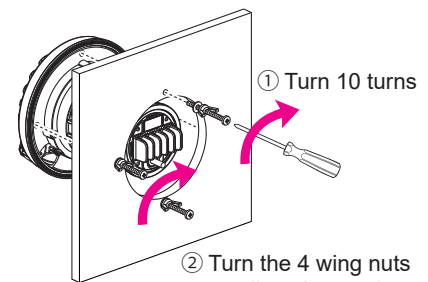


Figure 5

### Safety Precautions (Be Sure to Read)

Be sure to read the safety precautions in the Operating Manual of the compatible transceiver to use this product safely.

STANDARD HORIZON



EAD99X110

2021P-AS

Printed in Japan

# Connections

## ● MLS-410PA / MLS-410SP with Radio

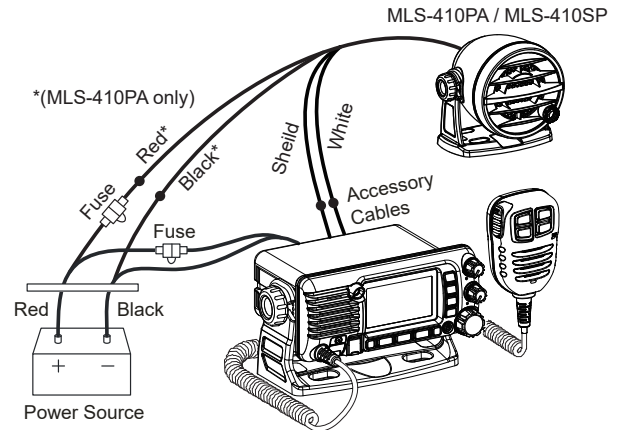
Route and secure the connection cables from the speaker to the Marine VHF Radio.

Wire Color	Connection
White - Speaker (+)	White wire of accessory cables
Shield - Speaker (-)	Shield of accessory cables
Red - Positive (+)*	12VDC positive (capable of supplying 1.5A of current)
Black - Negative (-)*	12VDC negative

\*(MLS-410PA only)

## ● MLS-410LH / MLS-410SP with VLH-3000A

For connections, refer to the VLH-3000A instruction manual.



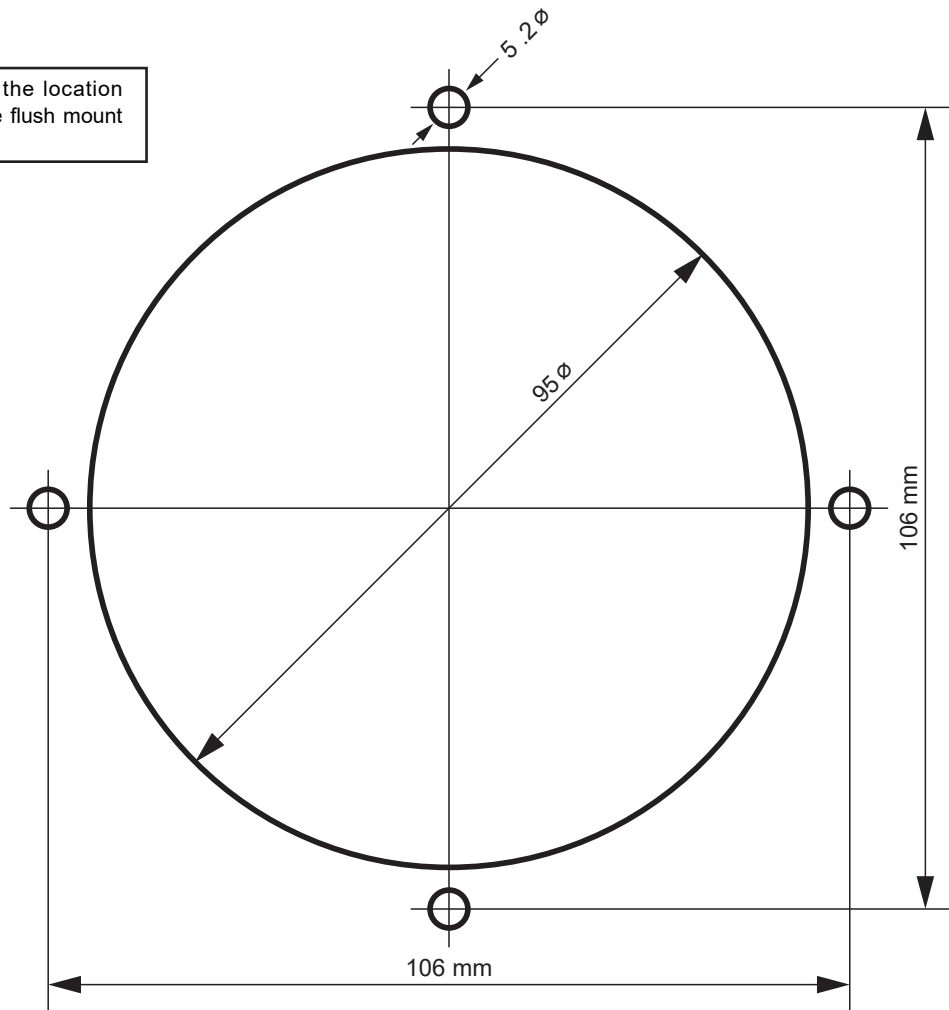
Typical Radio Connections

# Operation

1. Before connecting the speaker to the radio, turn the radio ON and set the AF volume level to minimum.
2. Turn the radio OFF, then connect the speaker to the radio.
3. Rotate the MLS-410PA volume knob to "12 o'clock" position. (MLS-410PA only)
4. Turn the radio ON and adjust the VOL knob on the radio to a comfortable listing level.
5. After adjusting the volume on the radio, you may adjust the MLS-410PA volume or turn off the speaker using the volume knob. (MLS-410PA only)
6. To call the VLH-3000A, press the MLS-410LH PTA button. A calling beep will be heard on the VLH-3000A with an indication of the intercom station (IC1 or IC2). (MLS-410LH only)

# TEMPLATE

Use this template to mark the location where the round hole for the flush mount is to be cut.



### Disposal of Electrical and Electronic Equipment

Products with the symbol (crossed-out wheeled bin) cannot be disposed of as household waste. Electronic and Electrical Equipment should be recycled at a facility capable of handling these items and their waste byproducts. Please contact a local equipment supplier representative or service center for information about the waste collection system in your country.

