

## Tools and Materials Needed:

- InstaTrim Gecea XP2 Trim Tabs Kit
- Drill
- Screwdriver
- Sealant (Marine-grade silicone recommended)
- Pencil or Marker
- Measuring Tape
- Masking Tape
- Mounting Hardware (included in the kit)
- Level

## Installation Steps:

**Note:** If you're not confident in your ability to install the trim tabs yourself, consider hiring a professional marine technician to ensure proper installation and functionality. Improper installation could lead to damage to your boat or compromise its performance on the water.

1

### Preparation:

- Ensure the boat is out of the water and on a stable surface.
- Read the installation manual provided with the InstaTrim Gecea XP2 Trim Tabs thoroughly before starting.

2

### Placement:

- Determine the optimal placement for the trim tabs on the transom of the boat. Typically, they should be mounted 6-10 inches from the outer edge of the hull and parallel to the waterline.
- Use a measuring tape, level, and pencil to mark the positions accurately.

3

### Drilling holes:

- Place the trim tabs against the transom according to the marked positions.
- Use the provided template (if available) or directly mark the hole positions for drilling.
- Drill pilot holes for the mounting screws using a drill.

4

### Mounting Trim Tabs:

- Align the trim tabs with the drilled pilot holes.
- Securely fasten the trim tabs to the transom using the provided mounting screws.
- Ensure the trim tabs are level and firmly attached to the boat.

5

### Wiring:

- Follow the wiring diagram provided in the installation manual to connect the control unit to the trim tabs.
- Run the wiring through the boat's hull, ensuring it is properly secured and protected from damage.

6

### Sealing:

- Apply marine-grade silicone sealant around the edges of the trim tabs where they meet the transom. This helps prevent water intrusion and ensures a watertight seal.

7

### Testing:

- Ensure the boat is out of the water and on a stable surface.
- Read the installation manual provided with the InstaTrim Gecea XP2 Trim Tabs thoroughly before starting.

8

### Final checks:

- Double-check all mounting screws and wiring connections for tightness and security.
- Remove any excess sealant and clean the area around the trim tabs.

9

### Launch and Adjustment:

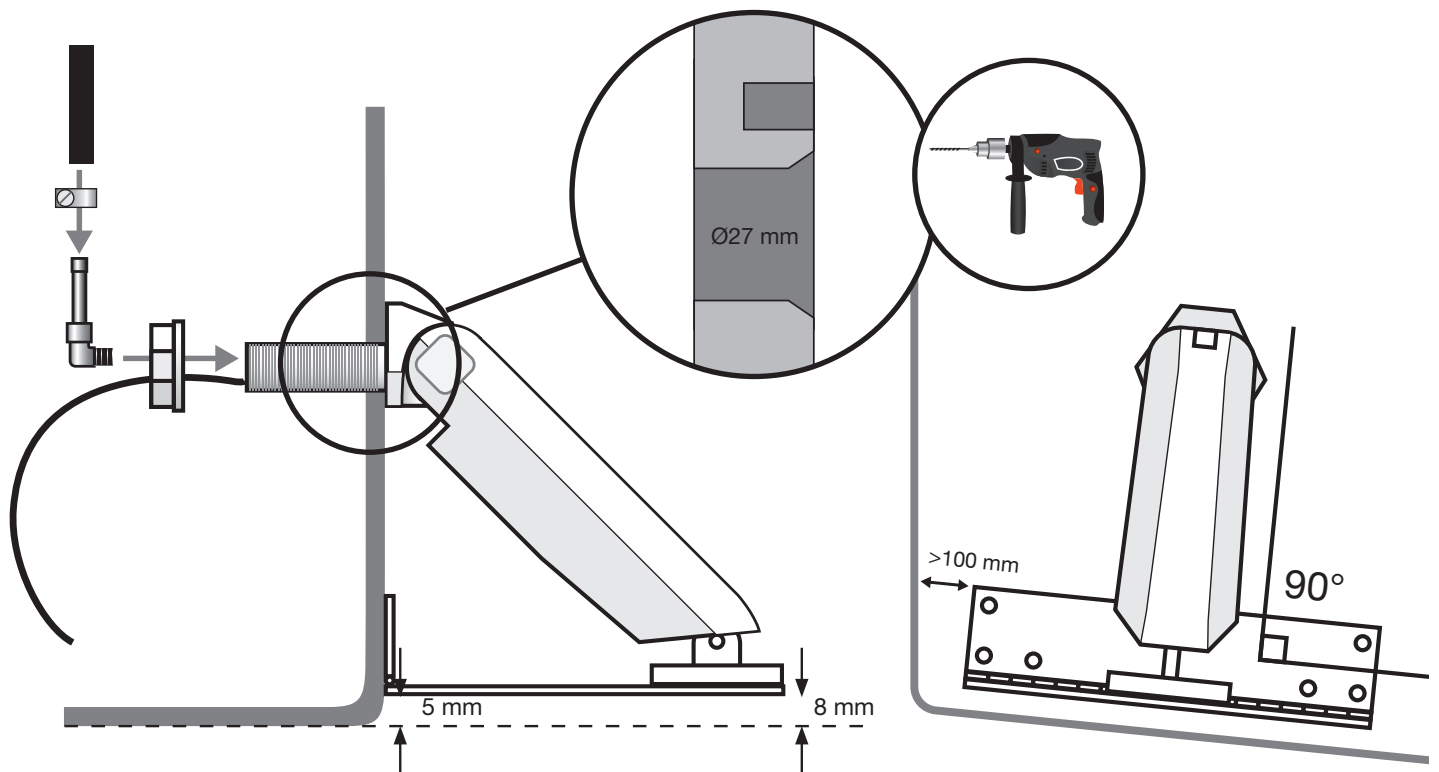
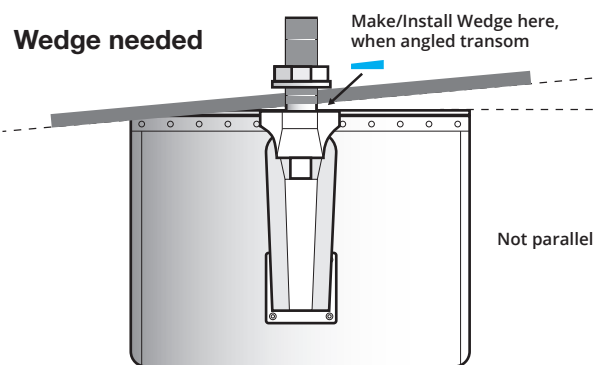
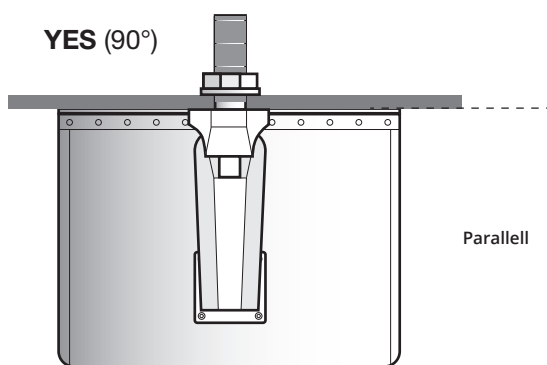
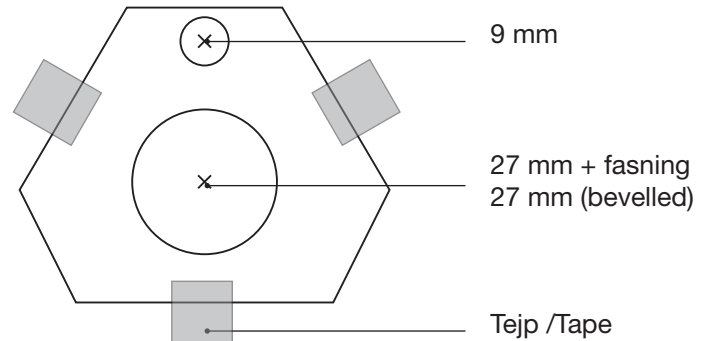
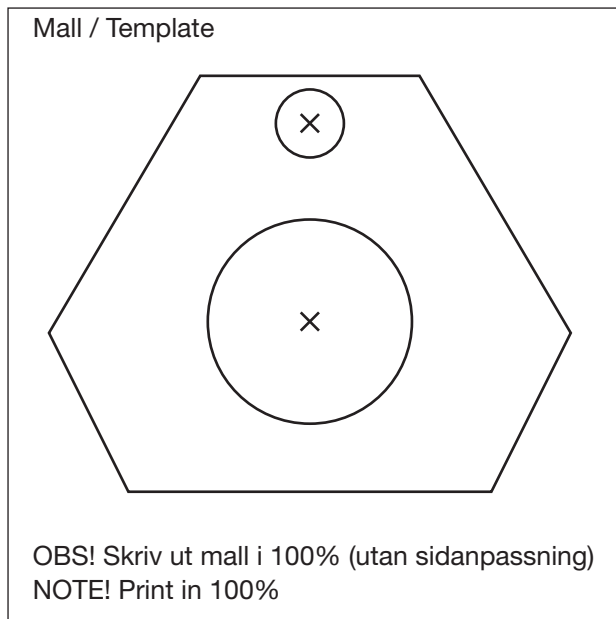
- Once the installation is complete, launch the boat into the water.
- Test the trim tabs in various sea conditions and adjust as necessary to achieve optimal performance and stability.

10

### Safety Precautions:

- Always follow safety guidelines and recommendations provided by the manufacturer.
- Ensure all electrical connections are waterproof and properly insulated.
- Regularly inspect the trim tabs and associated components for any signs of wear or damage.

# Gecea XP2 Drill Template



Vinkel mellan cylinder och skivan måste vara 90°.  
The angle between the cylinder and the plate must be 90°.