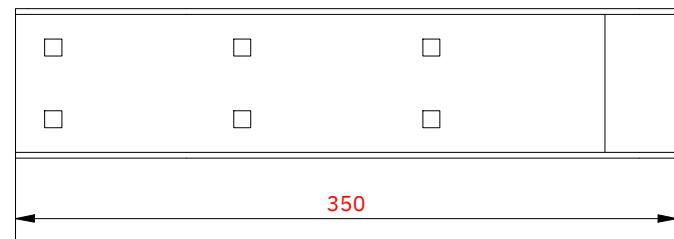
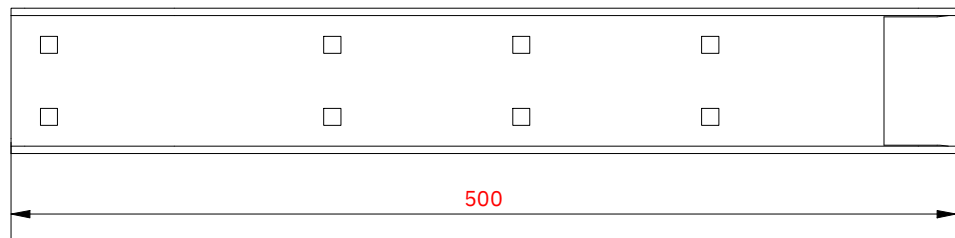
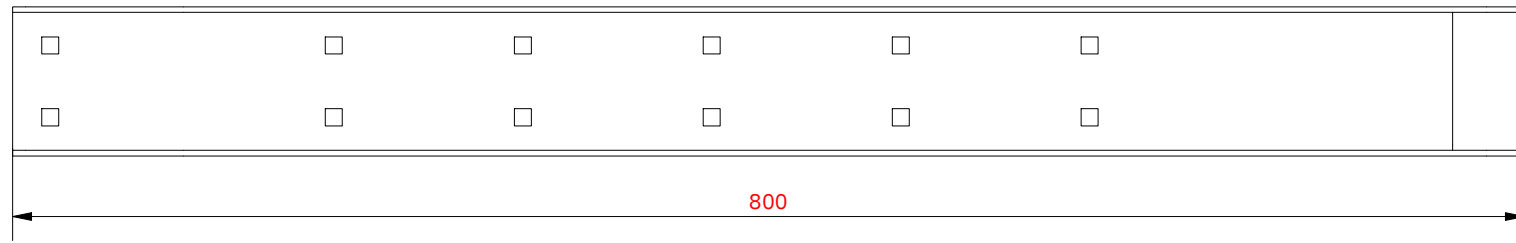
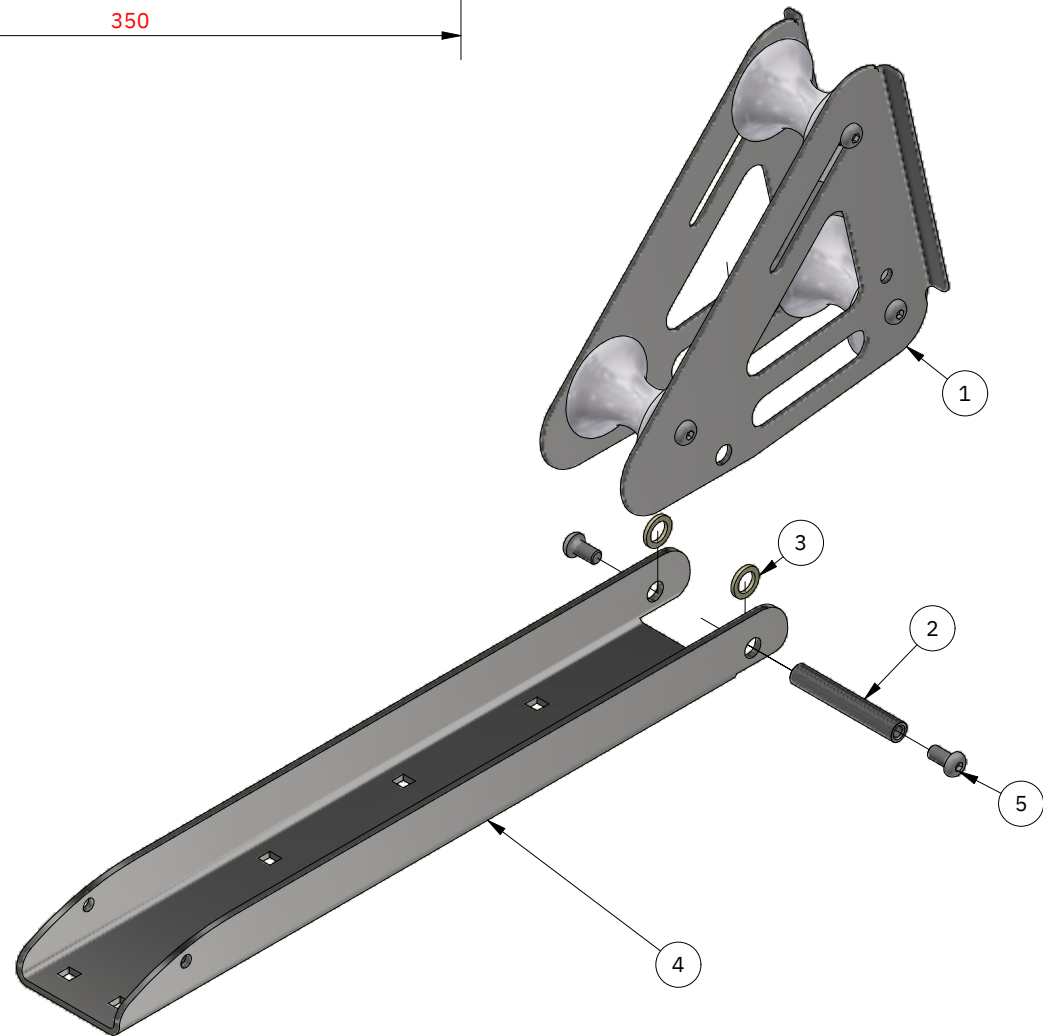
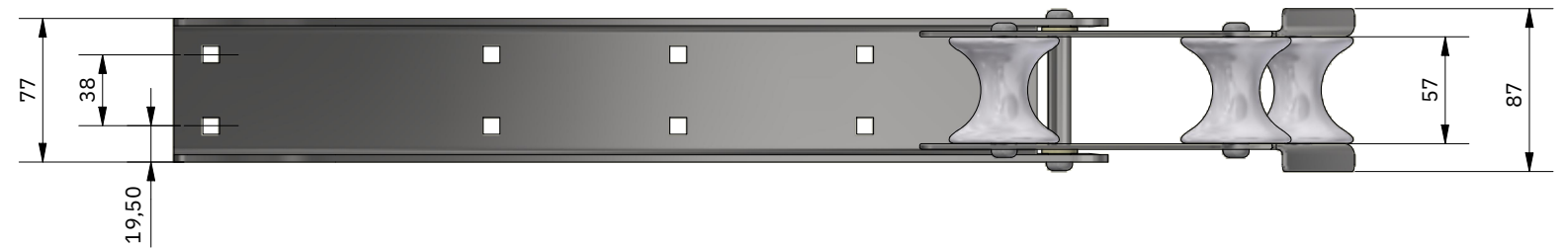
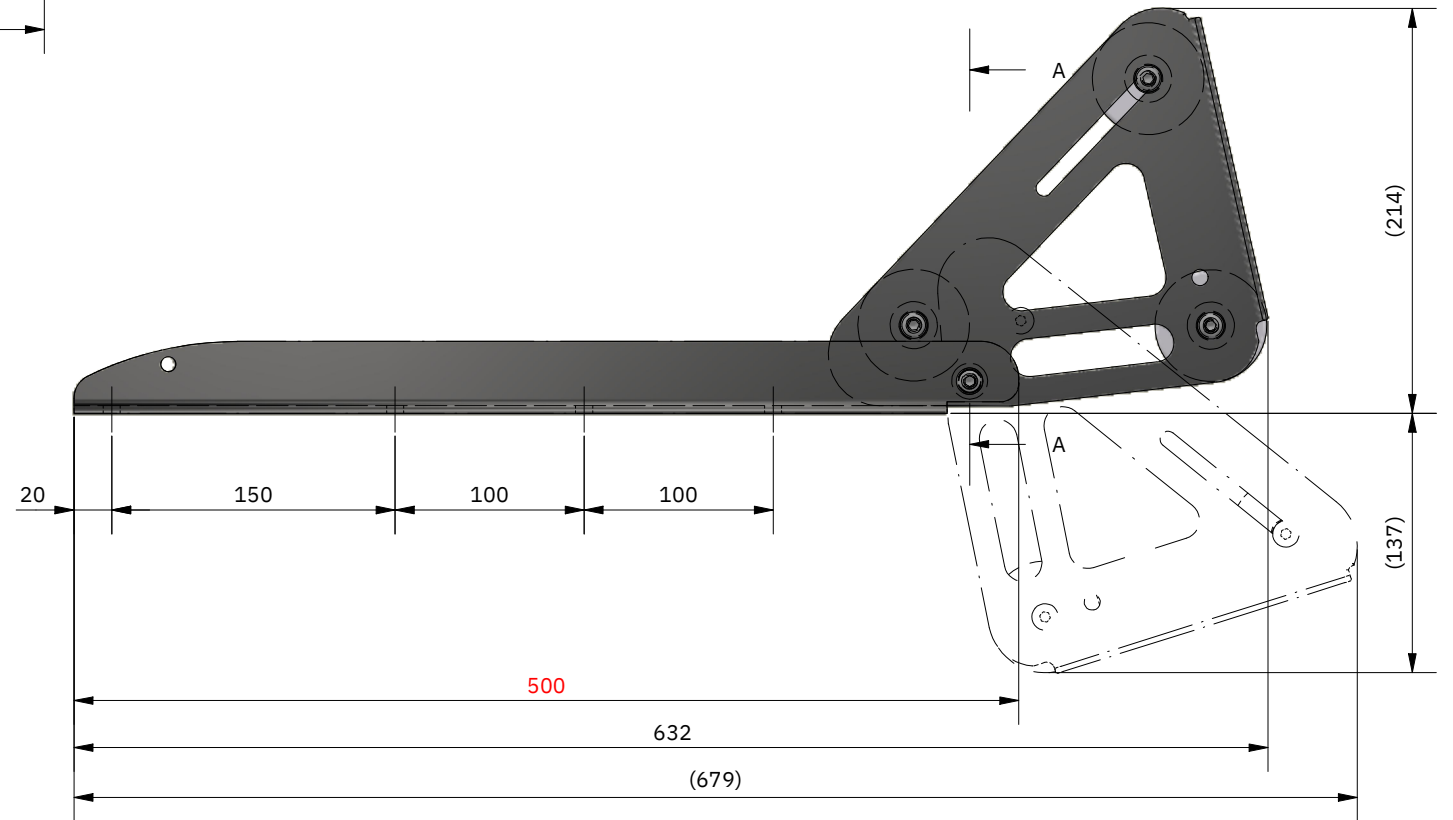
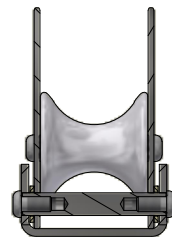


Available brackets for products:


- 61-30003 Anchor roller - pivoting, 800mm
- 61-30002 Anchor roller - pivoting, 500mm
- 61-30001 Anchor roller - pivoting, 350mm



A-A (1:4)



ITEM	QTY	DRAWING NO	STOCK NO	TITLE	DESCRIPTION	MATERIAL
1	1	SM-113315	140876	Anchor roller - pivoting	Cradle	
2	1	SM-113398	14-00278	Anchor roller - pivoting	Axle 76mm	AISI 316 L
3	2	SM-113400	13-00103	Anchor roller - pivoting	Nylon washer	Nylon-6/6
4	1	SM-106583	15-00149	Anchor roller - pivoting	Bracket 500mm	AISI 316 L
5	2		10818	ISO 7380 - M8 x 16 A4	Hexagon Socket Button Head Screw - Product grade A	A4

 CONFIDENTIAL DRAWING NOT FOR PUBLIC USE ©All rights reserved Contents of this document is the intellectual property of Sleipner Motor AS. It may not be copied or reproduced without written authorization by Sleipner Motor AS All dimensions are in mm, if not otherwise stated.	Title				Tolerance	
	Description				Sheet size	
	Anchor roller - pivoting, 500mm				A3	
	Stock no.				Scale	1:3
Creation date		Rev.	Weight	Sheet	Drawing by	
15.11.2022		B	3,80 kg	1/1	TomaszJ	
Drawing no.		Material				
SM-113404						