

2J7213B

DVB-T / DAB Screw Mount

Key Features

Cable 1: DVB-T / DAB

- 150-240 MHz

- 440-870 MHz

Screw Mount

Ground Plane Dependent

Customizable Cable and Connector

Dimensions: Ø 60 × 97.2 mm

Certificates: IP67, IP69



1. Antenna and electrical specifications

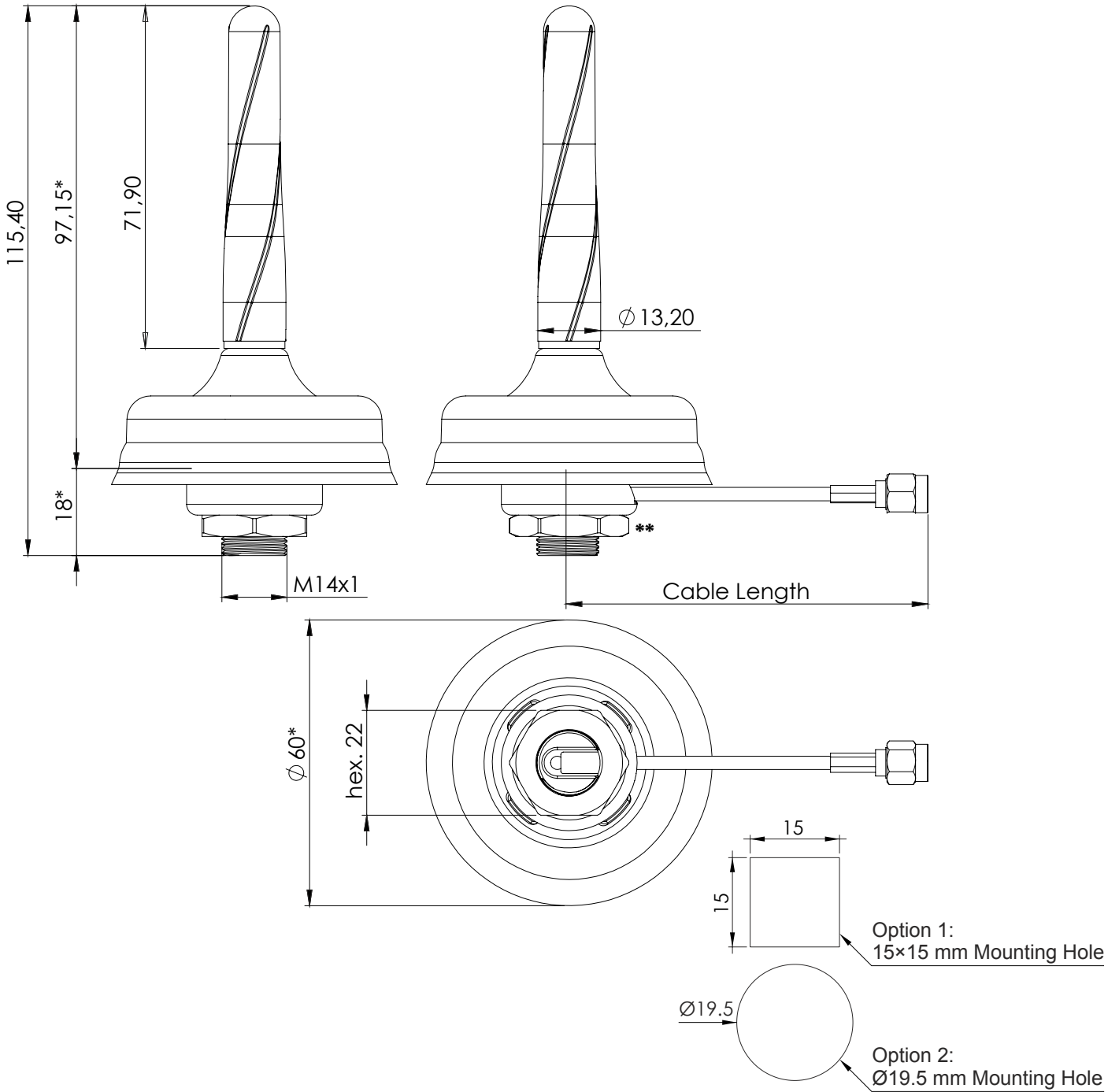
Cable 1

Parameters	DVB-T / DAB Antenna	
Standards	DAB, DVB-T	
Band (MHz)	150	440
Frequency (MHz)	150-240	440-870
VSWR	<3:1dB	
Impedance (Ohm)	75	
Radiation Pattern	Hemispherical	
Polarization	Linear	
Active Gain (dB)	23	
Voltage (V)	3.3-16	
Current (mA)	13	
Max. Power Consumption (mW)	390 max.	
Connector Type	ISO-Male Standard (Other Connectors Available)	
Cable Length	300 cm Standard (Any Cable Length Available)	
Cable Type	RX174HF Standard (Other Cables Available)	

2. Mechanical and environmental specifications

Specifications	2J7213B
Mounting Type	Screw Mount
Dimensions (mm)	Ø 60 × 97.2
Max. Tighten Torque (Nm)	6 Nm
Radome Type	ASA
Radome Color	Black
Antenna Base	Zamak
Gasket	TPE
Operating Temperature (C)	-40 to +85
Storage Temperature (C)	-40 to +85
Substance Compliance	RoHS
Certificates	IP67, IP69

3. Antenna drawings



Note: Dimensions are in millimeters
***Dimensions are after mounting**
****Max. Torque= 6 Nm**

4. Antenna Images

