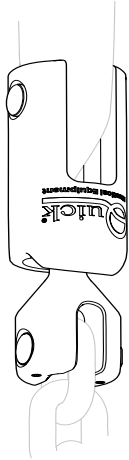


▲ upendo
*Autre langues disponibles à scanner le QR code sur le dos de ce manuel.
*Other languages available by scanning the QR code on the back of this manual.

Quick Nautical Equipment
General Instructions
EN - INSTALLATION AND USER'S MANUAL *



OS 8-10
OS 10-20
OS 13-34
OS 14-60

OlympicSeries
SWIVEL



25 October, 2024

OlympicSeries
SWIVEL



25 October, 2024

OS 8-10
OS 10-20
OS 13-34
OS 14-60



Product serial number



QUICK® S.p.A. - Via Piangipane, 120/A - 48124 Piangipane (RAVENNA) - ITALY
Tel. +39.0544.415061 - Fax +39.0544.415047 - www.quickitaly.com - quick@quickitaly.com

7. Product disposal

As with installation, at the end of this product life, dismantling must be carried out by qualified personnel.

This product is made up of various materials, some can be recycled and others must be suitably disposed of; enquire about the recycling or disposal systems provided for by local regulations for this product category.

Some parts of the product may contain pollutants or hazardous substances that, if dispersed, may be harmful to the environment and human health.

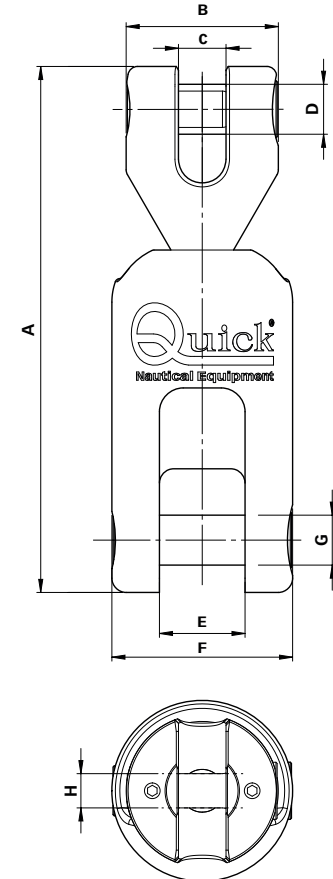


As indicated by the symbol on the side, it is forbidden to dispose of this product as domestic waste. Separate the products for disposal in accordance with the regulations in force in your area or return the product to the seller when purchasing a new equivalent product. Local regulations may impose severe penalties for the improper disposal of this product.

NOTES

.....
.....
.....
.....
.....
.....
.....
.....
.....
.....
.....
.....
.....
.....
.....
.....
.....
.....
.....
.....
.....

8. Dimensions



	OS 8-10	OS 10-20	OS 13-34	OS 14-60	OS 16-100
A	111 (4 23/64in)	140 (5 1/2in)	172 (6 49/64in)	185 (7 9/32in)	221 (8 11/16in)
B	32 (1 1/4in)	39,5 (1 35/64in)	48,5 (1 29/32in)	54 (2 1/8in)	64 (2 33/64in)
C	10,5 (13/32in)	11 (27/64in)	15 (37/64in)	17 (21/32in)	21 (13/16in)
D	10,5 (13/32in)	12 (15/32in)	16 (5/8in)	18 (45/64in)	20 (25/32in)
E	18 (45/64in)	21 (13/16in)	24 (15/16in)	27 (1 1/16in)	34 (1 21/64in)
F	38 (1 31/64in)	44,5 (1 3/4in)	54 (2 1/8in)	59 (2 5/16in)	74 (2 29/32in)
G	10,5 (13/32in)	12 (15/32in)	16 (5/8in)	18 (45/64in)	24 (15/16in)
H	7,2 (9/32in)	9,6 (3/8in)	12 (15/32in)	15,6 (39/64in)	16,8 (21/32in)

Thank you for choosing a **Quick Spa** nautical accessory.

Quick Spa is an international leader in the production and marketing of nautical accessories. The Italian plant designs, engineers and manufactures all the products in the Quick range.

OLYMPIC SWIVEL

Nautical accessory used to safely connect the chain to the anchor during mooring. It also facilitates raising the chain and anchor through the bow roller, avoiding classic shackle blockage problems. The Olympic swivel, together with the Olympic anchor, features a self-tipping system, which allows the Olympic anchor to always be weighed in the correct position.

1. Introduction

This document provides boat builders and marine equipment installers with instructions for fitting the Quick® Olympic swivel. **READ THIS INSTRUCTION MANUAL CAREFULLY BEFORE USING THE PRODUCT. IF IN DOUBT, CONTACT YOUR QUICK® DEALER.**

Quick® reserves the right to modify the technical characteristics of the equipment and the contents of this manual without prior notice. In case of discordance or errors in translation between the translated version and the original text in the Italian language, reference will be made to the Italian text.

2. General Precautions

- ⚠ Do not use these products for any other type of operation.
- Quick® shall not be held liable for direct or indirect damage caused by improper use of the product.
- Make sure that there are no bathers nearby before dropping the anchor.
- In order to prevent unintended releases, the anchor shall be fixed.
- This equipment is not intended for use by people (including children) with reduced physical, sensory or mental capabilities. Quick® SpA shall not be held liable for direct or indirect damage caused by improper use of the equipment.

3. Information about the product

3.0 Olympic swivel data

OLYMPIC Anchor (kg)		7	10	16	20	26	34	45	60	80	100
chain											
DIN/ISO	6 mm	OS 8-10									
DIN/ISO	7 mm										
G4/BBB	1/4"										
DIN/ISO	8 mm										
G4/BBB	5/6"			OS 10-20							
DIN/ISO	10 mm										
G4/BBB	3/8"										
ISO	12 mm										
DIN	13 mm										
G4	7/16"										
DIN/ISO	14 mm										
G4	1/2"										
DIN/ISO	16										OS 16-100
G4	5/8"										
STUDLINK	12.5										

3.2 Standard supply and material included in the package

- Allen key (for installation)
- Threadlocker - 10ml bottle (for installation)
- Dowels
- Installation and user's manual, Warranty

3.3 Recommended Quick accessories not included

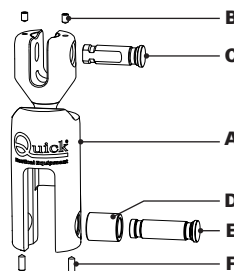
- Olympic anchors
- Quick safety stop
- Quick rollers

👉 **Olympic Anchors and Olympic Swivels are sold separately.**

4. Installation

4.0 Swivel elements

- A. Swivel body;
- B. Short dowels;
- C. Milled pin for chain attachment;
- D. Roller for anchor fitting (not present in OS 08-10 swivel);
- E. Pin for chain attachment
- F. Long dowel;



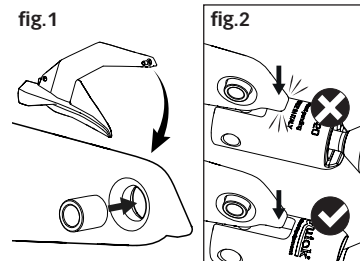
4.1 Tools required for installation

- OS 8-10 • Allen key 2mm • Threadlocker 10 ml • 2 dowels: M4x4 • 2 dowels: M4x6
- OS 10-20 • Allen key 2mm • Threadlocker 10 ml • 2 dowels: M4x4 • 2 dowels: M4x10
- OS 13-34 • Allen key 2mm • Threadlocker 10 ml • 2 dowels: M4x4 • 2 dowels: M4x10
- OS 14-60 • Allen key 2mm • Threadlocker 10 ml • 2 dowels: M4x8 • 2 dowels: M4x12

4.2 Swivel/anchor installation procedure

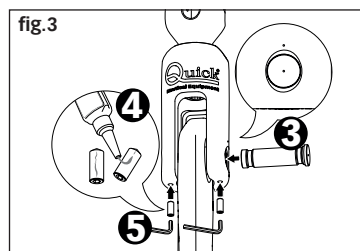
⚠ **Warning: Quick does not guarantee the performance of the swivel and anchor in the event of incorrect assembly;**

1. Insert roller **D** into the hole on the end of the anchor. (not in OS 08-10 swivel). (fig. 1)



2. Place the anchor eyelet in the appropriate pocket in the swivel body, paying attention to the direction (fig. 2);
The characteristic tooth of the Olympic anchors must rest correctly on the flat part inside the swivel.

3. Insert pin **(E)** for anchor connection into the seat with the reference circle, making sure to bring it to a stop (fig. 3);

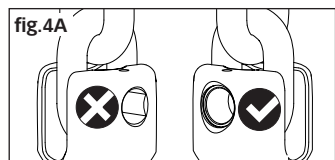


4. Add a few drops of threadlocker to the long M4 dowels (fig. 3);
5. Use the Allen key to tighten the M4 dowels until they stop the pin from sliding (fig. 3).

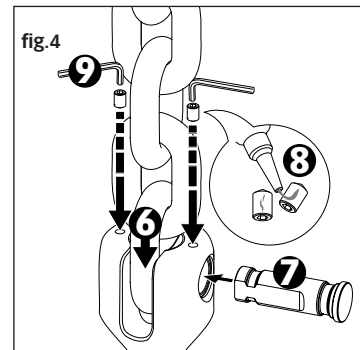
4.3 Swivel/chain installation procedure

6. Insert the chain into the swivel seat (fig. 4);

7. Insert the pin for attaching the chain into the seat, making sure to bring it to a stop (fig. 4). Insert the pin in the correct direction, paying attention to the hole (4A).



8. Add a few drops of the supplied threadlocker to the short M4 dowels included in the box; (fig. 4)



9. Use the Allen key to tighten the M4 dowels until they stop the pin from sliding (fig. 4).

5. Precautions and use

5.0 Precautions

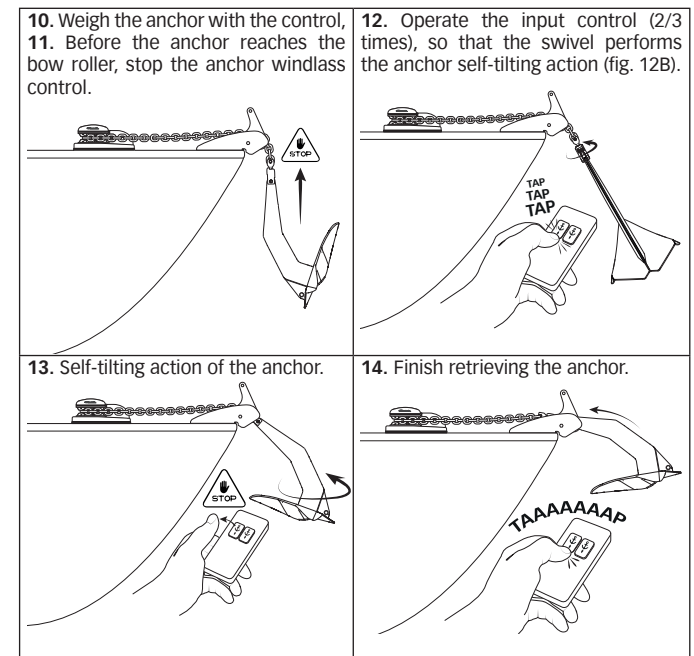
Do **NOT** use the swivel for models larger than those shown in table 3.0. Table 3.0 shows for each model of swivel the anchors and chains for which it is designed.

Do **NOT** recover the anchor fast but follow the instructions provided in chapter 5.1 (Use of the swivel).

5.1 Use of the swivel

The swivel function, in addition to connecting the chain to the Olympic anchor, is to cause the anchor to self-tilt, so that it is always correctly positioned on the bow roller.

Anchor retrieval with self-tilting:



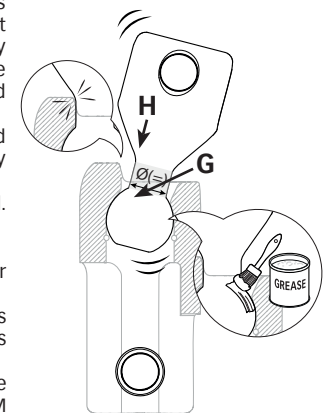
6. Maintenance

Quick® swivels are made of materials resistant to the marine environment: it is essential, in any case, to periodically remove salt deposits that form on the external surfaces to avoid corrosion and consequently damage to the device.

- Thoroughly wash the surfaces and parts where salt and metals may deposit with fresh water.
- Grease the body **(G)** of the swivel head.

Inspect the Olympic swivel once a year (more often in case of constant use);

- If the neck of the swivel head **(H)** shows surface marks, that does **NOT** affect its operation.
- The **DIAMETER** of the neck of the swivel head **MUST NOT VARY FROM THE ORIGINAL SIZE** specified by the manufacturer (Quick).
- If this diameter decreases, **REPLACE THE SWIVEL.**



⚠ **To avoid rust residue: DO NOT use galvanised chains**