

6

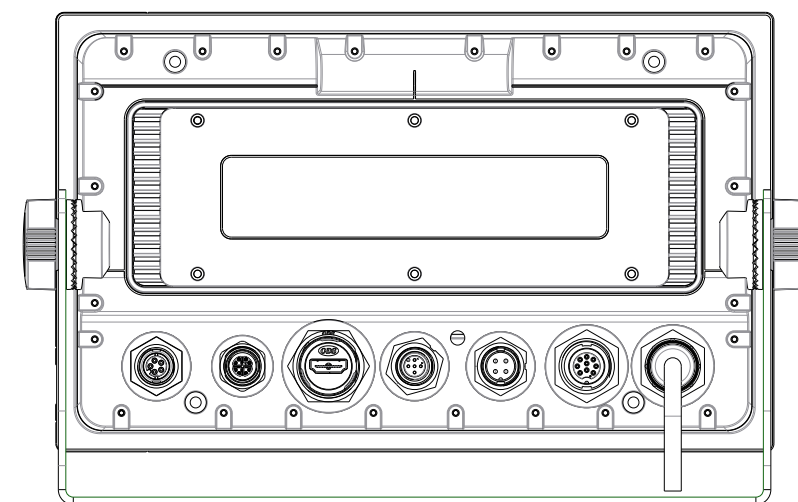
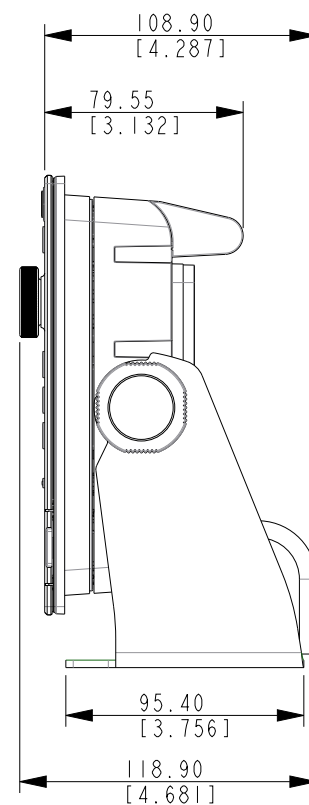
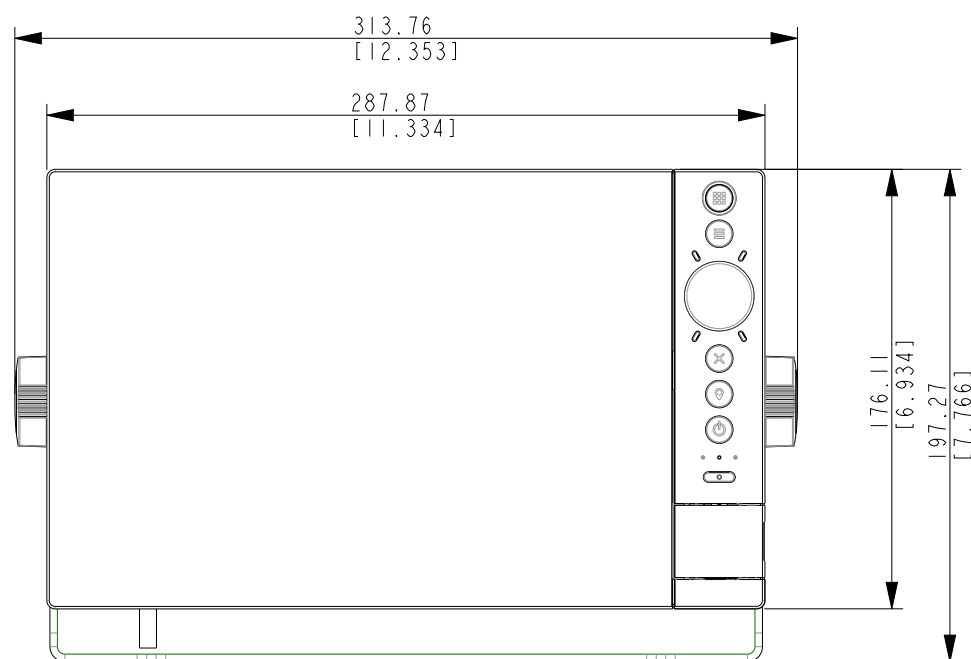
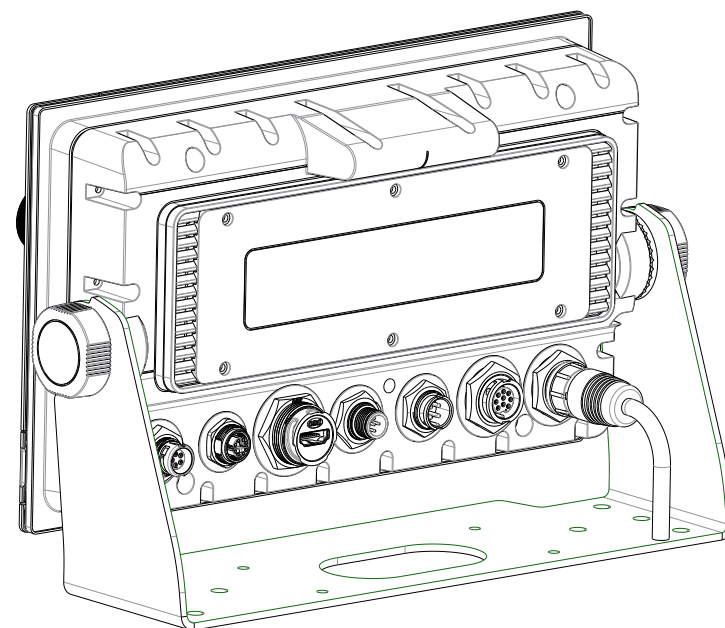
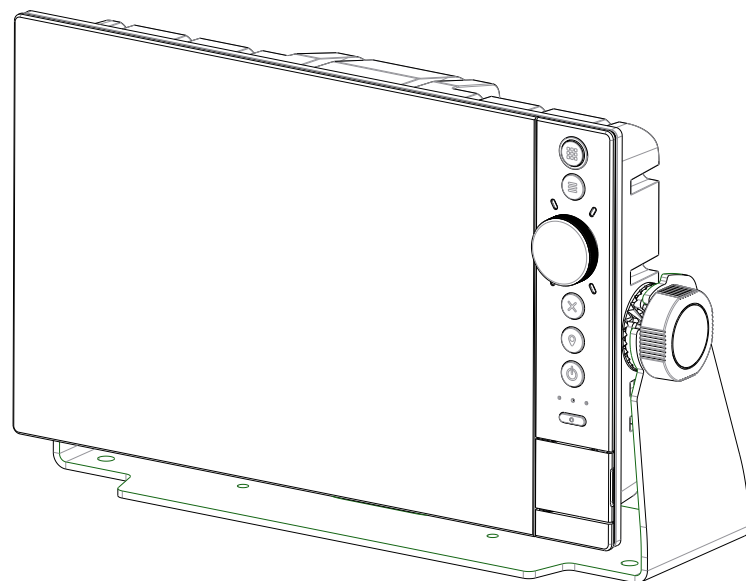
5

4

3

2

1



DO NOT SCALE DRAWING	
SCALE: 33:100	SIZE: A3
DRAWN BY: MJP	DATE: 01-Aug-2024
CHECKED BY:	DATE:

NAVICO GROUP

SIMRAD NSS 4 / B&G ZEUS SR 10 ASSEMBLY

INTERPRET DIMENSIONS AND TOLERANCES PER ASME Y14.5-2009

THIRD ANGLE PROJECTION	PART VOLUME:
	SHEET: 1 OF 3
DRAWING NO:	REVISION: B

MODEL NAME: 000_SIREN10_GA

WINDCHILL REV: 1.5

6

5

4

3

2

1

D

D

C

C

B

B

A

A

6

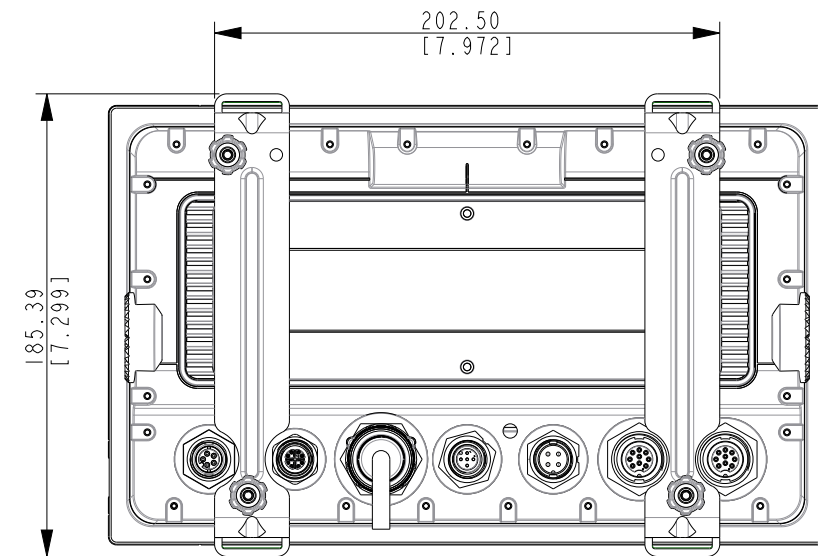
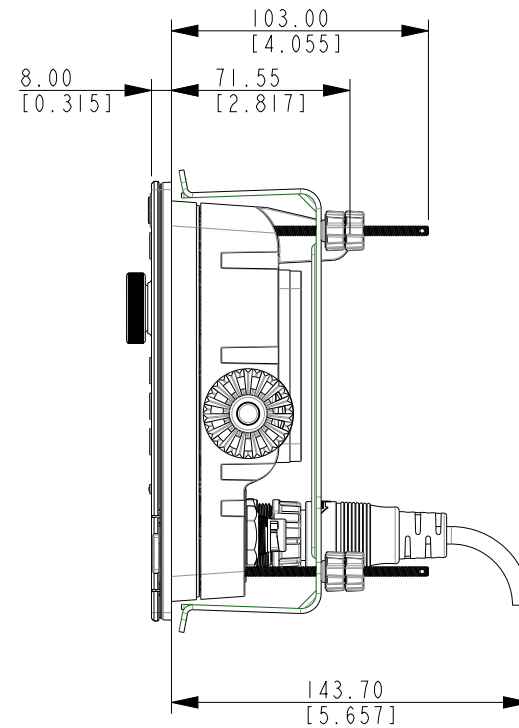
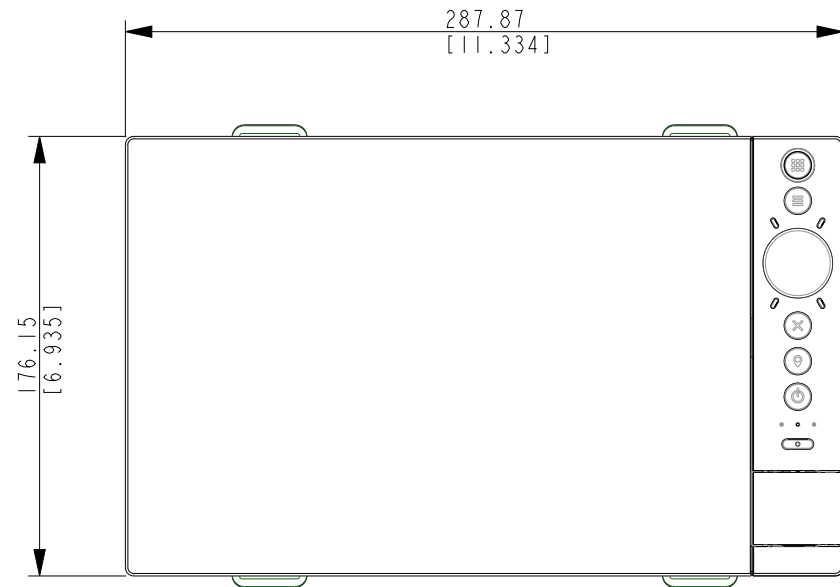
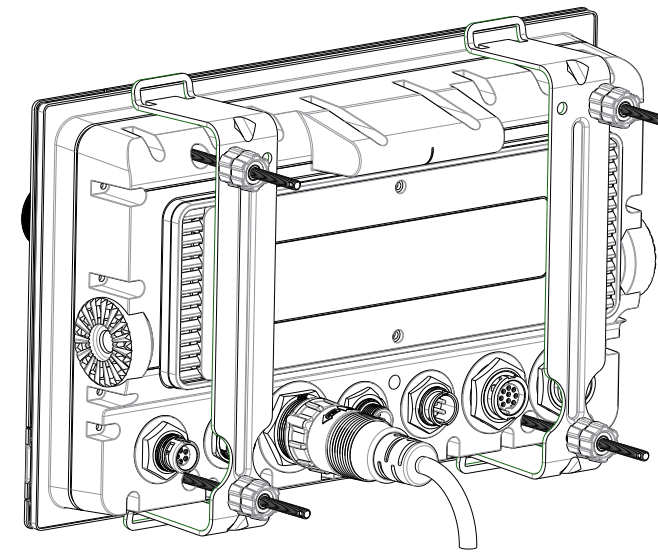
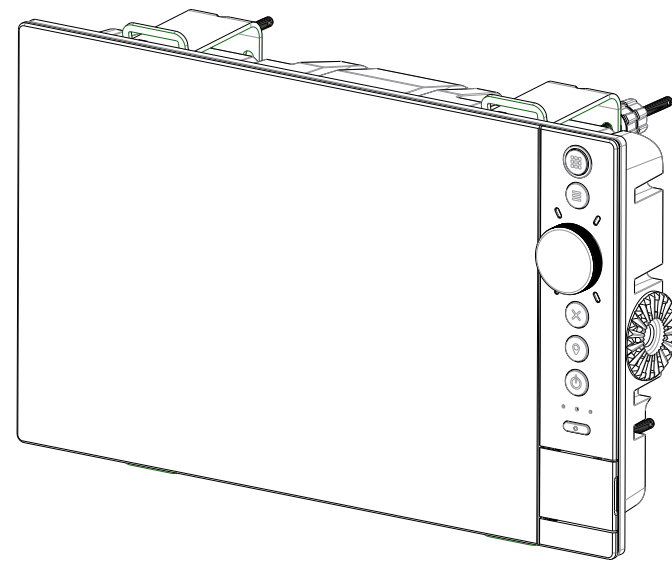
5

4

3

2

1



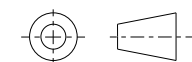
DO NOT SCALE DRAWING	
SCALE: 33:100	SIZE: A3
DRAWN BY: MJP	DATE: 01-Aug-2024
CHECKED BY:	DATE:

**NAVICO
GROUP**

**SIMRAD NSS 4 / B&G ZEUS SR
10 ASSEMBLY**

INTERPRET DIMENSIONS AND
TOLERANCES PER ASME Y14.5-2009

THIRD ANGLE PROJECTION PART VOLUME:



SHEET:
2 OF 3

DRAWING NO: REVISION:

B

6

5

4

3

MODEL NAME: 000_SIREN10_GA

2

WINDCHILL REV: 1.5

1

D

D

C

C

B

B

A

A