

6

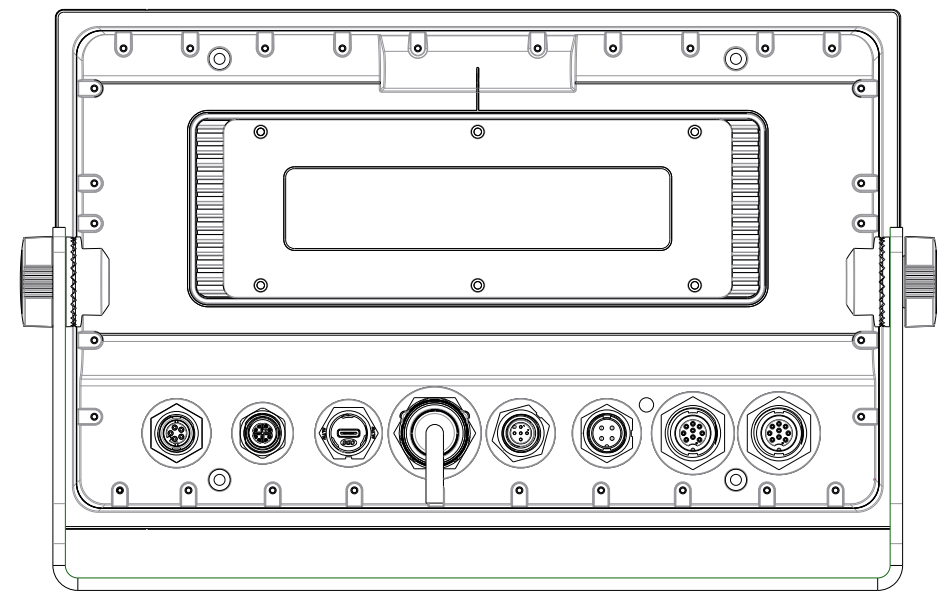
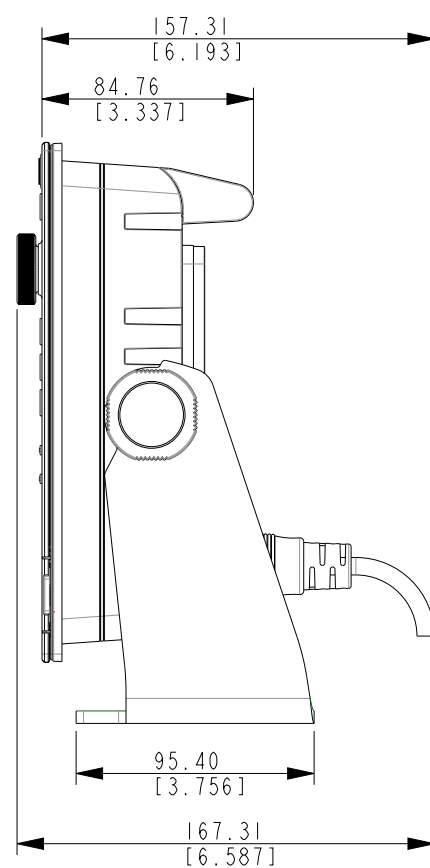
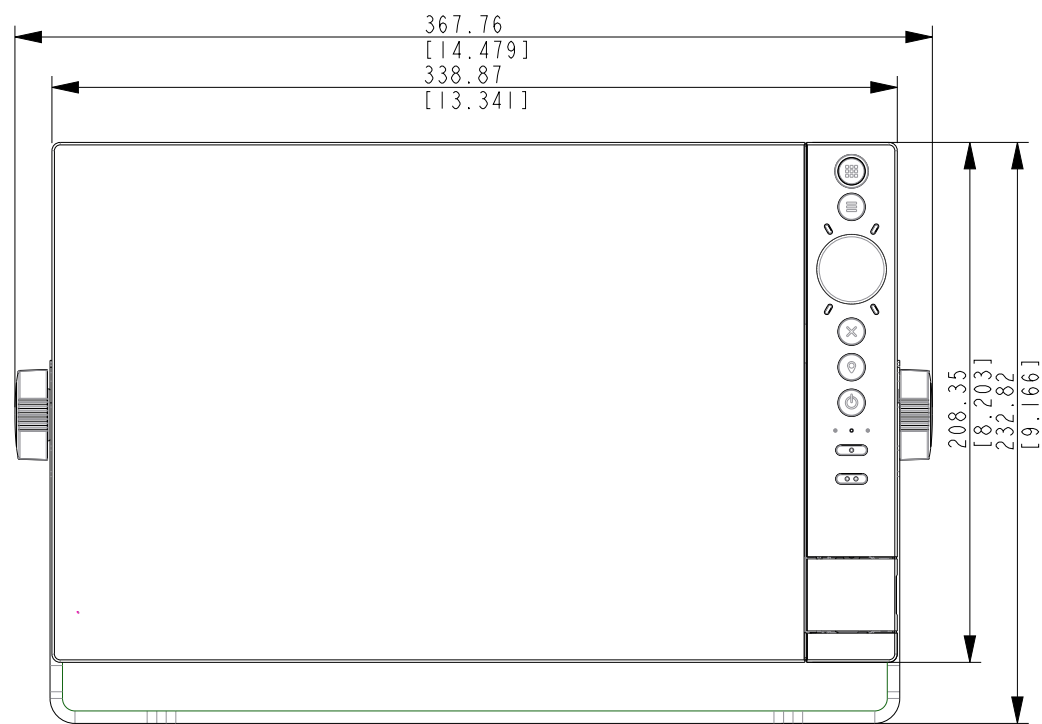
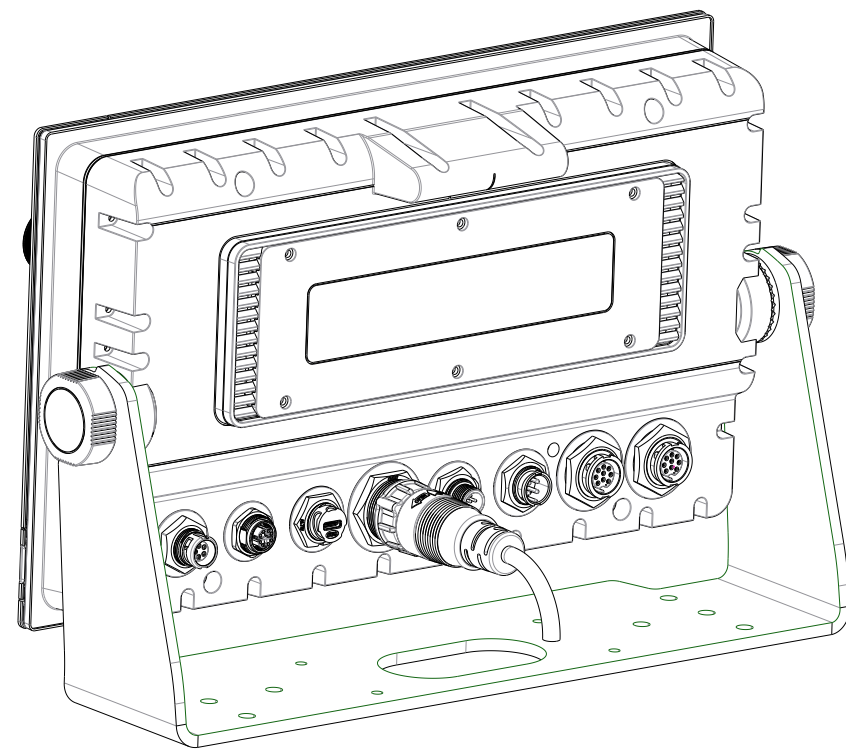
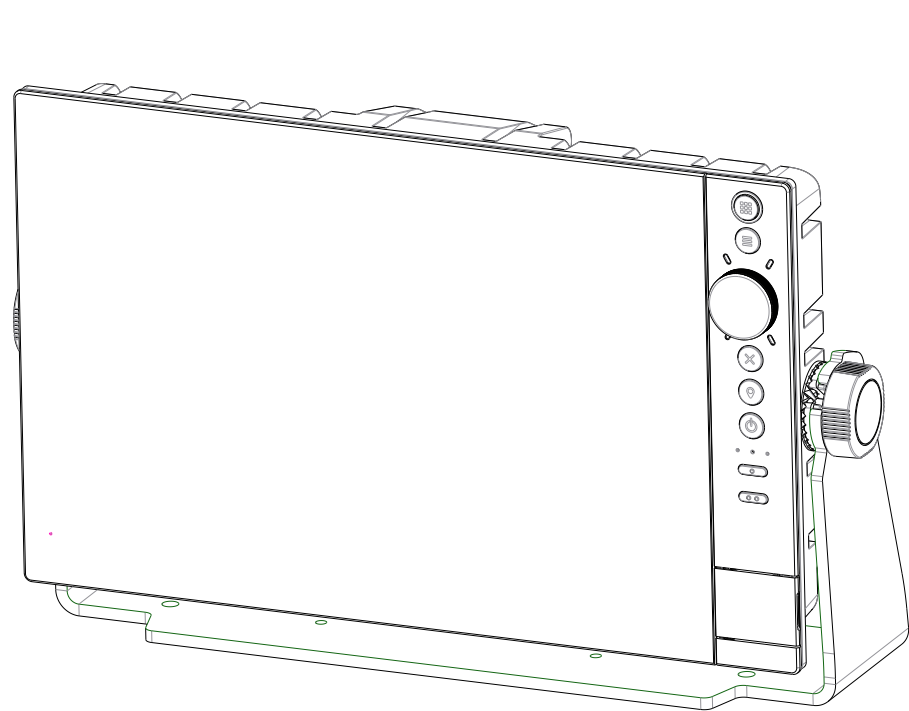
5

4

3

2

1



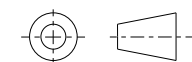
<b>DO NOT SCALE DRAWING</b>	
SCALE: 33:100	SIZE: A3
DRAWN BY: MJP	DATE: 01-Aug-2024
CHECKED BY:	DATE:

**NAVICO GROUP**

**SIMRAD NSS 4 / B&G ZEUS SR 12 ASSEMBLY**

INTERPRET DIMENSIONS AND TOLERANCES PER ASME Y14.5-2009

THIRD ANGLE PROJECTION PART VOLUME:



SHEET:  
1 OF 3

DRAWING NO: REVISION:  
**B**

6

5

4

3

MODEL NAME: 000\_SIREN12\_GA

2

WINDCHILL REV: 1.4+

1

D

D

C

C

B

B

A

A

6

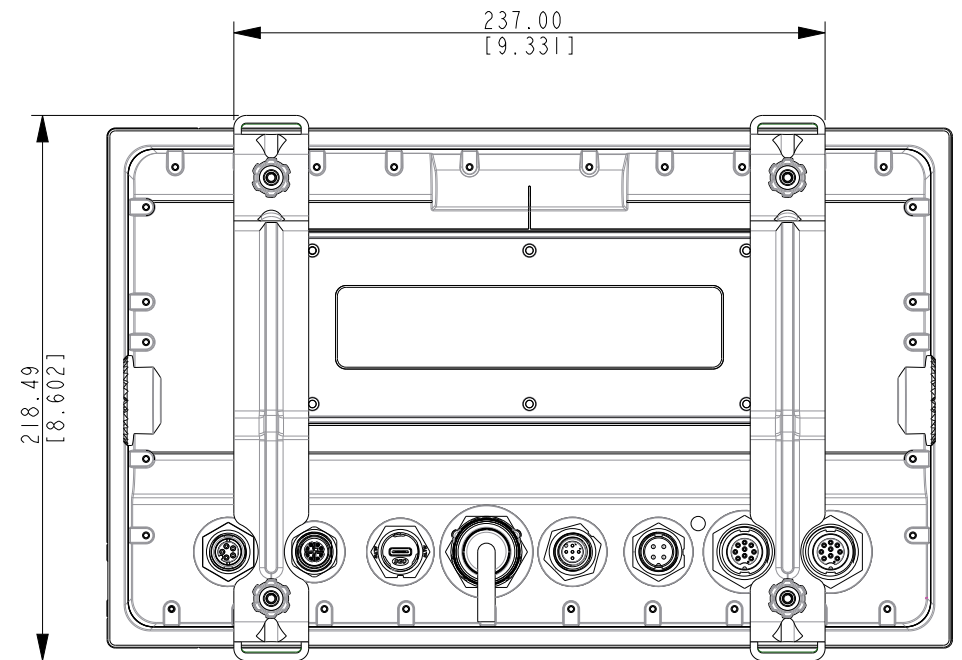
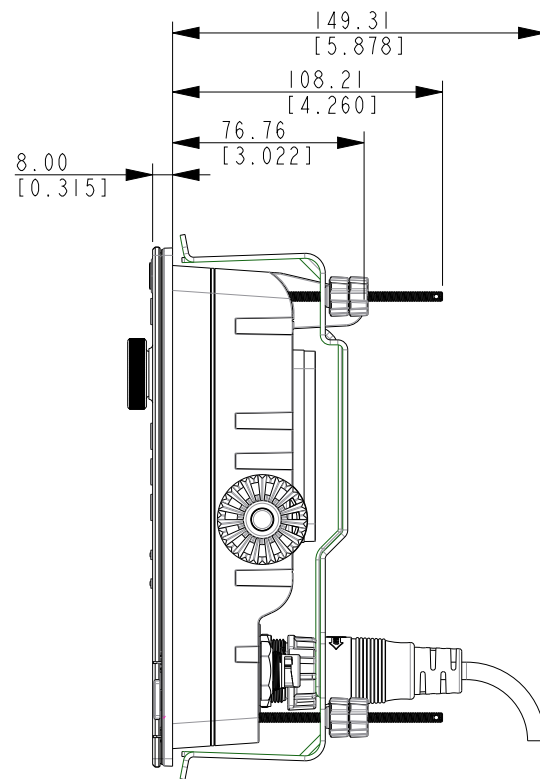
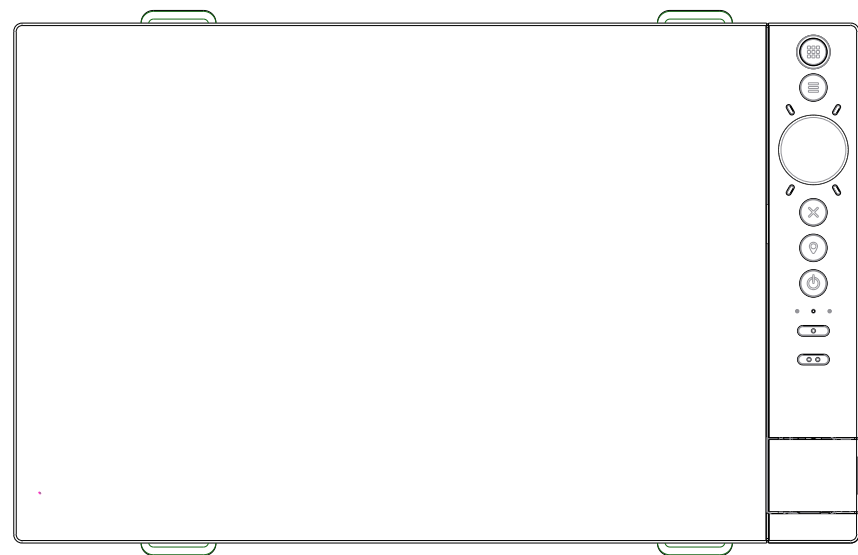
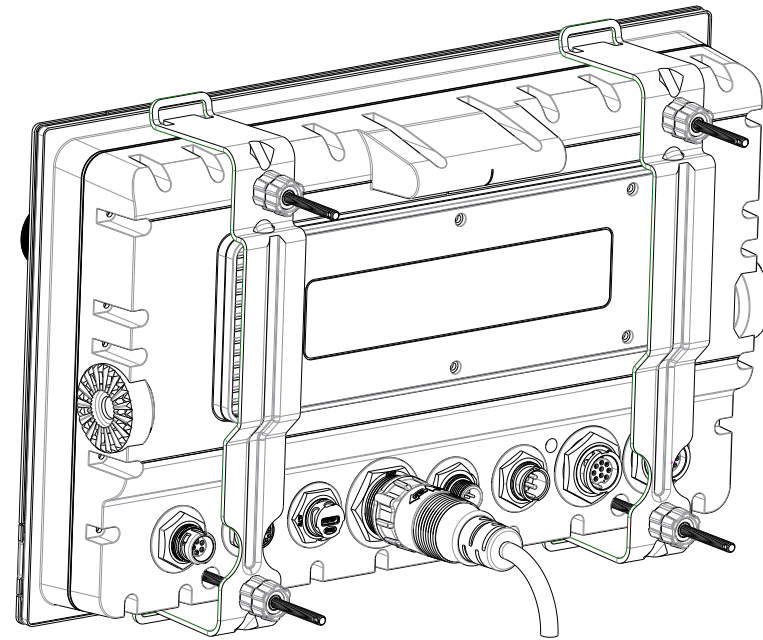
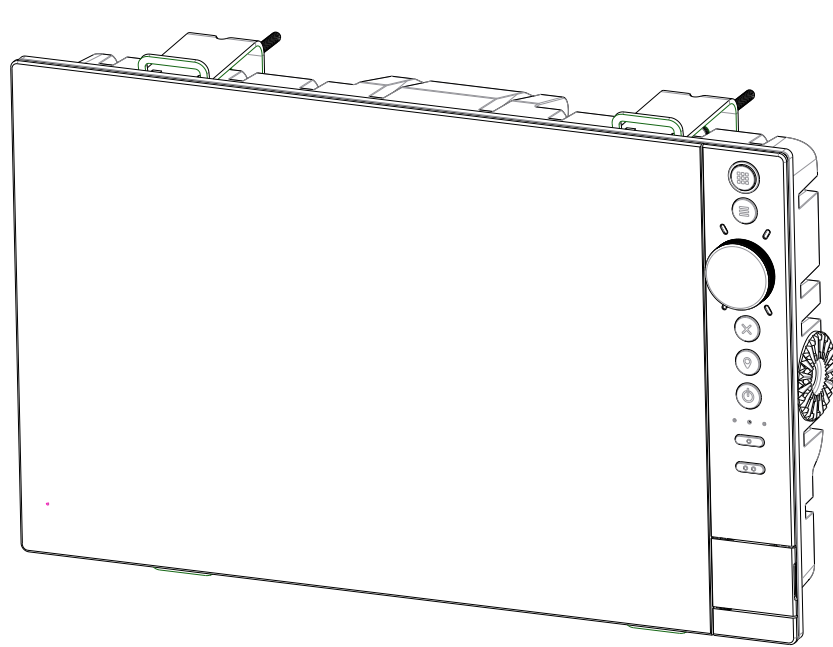
5

4

3

2

1



<b>DO NOT SCALE DRAWING</b>	
SCALE: 33:100	SIZE: A3
DRAWN BY: MJP	DATE: 01-Aug-2024
CHECKED BY:	DATE:

**NAVICO GROUP**

**SIMRAD NSS 4 / B&G ZEUS SR 12 ASSEMBLY**

INTERPRET DIMENSIONS AND TOLERANCES PER ASME Y14.5-2009	
THIRD ANGLE PROJECTION	PART VOLUME:
	SHEET: 2 OF 3
DRAWING NO:	REVISION: <b>B</b>

MODEL NAME: 000\_SIREN12\_GA

WINDCHILL REV: 1.4+

6

5

4

3

2

1

D

D

C

C

B

B

A

A