



Brukermanual M-Protect Oppladbar poleringsmaskin 20V

Introduksjon

Gratulerer med kjøp av M-Protect poleringsmaskin.

Bruksanvisningen er en del av produktet.

Tiltenkt bruk:

Denne batteridrevne poleringsmaskinen er beregnet for polering.

Enhver annen bruk av eller modifikasjon av produktet anses å være upassende og medfører en betydelig risiko for ulykke.

Produsenten påtar seg intet ansvar for skade(r) som følge av feil bruk.

Produktet er designet for bruk av voksne.

Operatøren eller bruker er ansvarlig for ulykker eller skade på andre mennesker eller deres eiendom.

Innhold:

1 Poleringsmaskin

1 Batteri 2Ah

1 Lader

1 Poleringsskive Ø 150 mm(M8)

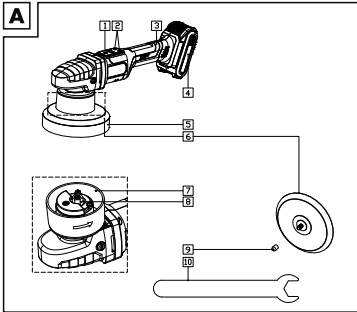
2 Poleringssvamp (Ø 150 mm)

1 Skiftenøkkel

1 Bærevekke

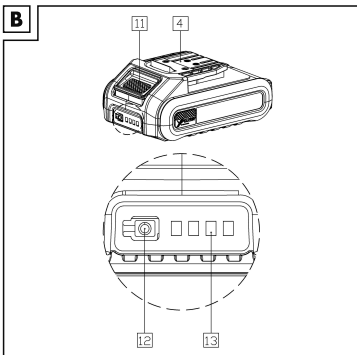
1 Bruksanvisning





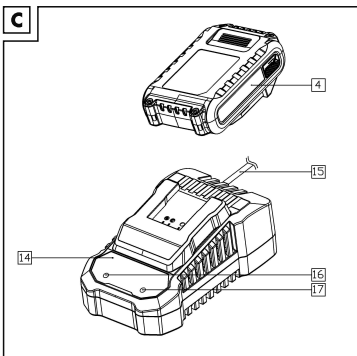
Figur A:

- [1] På/av-bryter
- [2] Hastighetsjustering
- [3] Håndtak
- [4] Batteripakke
- [5] Poleringssvamp
- [6] Poleringsskive
- [7] Beskyttelse
- [8] Spindel (M8)
- [9] Gjengehette
- [10] Nøkkel



Figur B:

- [11] Utløserknapp for batteripakke
- [12]-knapp (ladenivå)
- [13] LED-lamper for ladenivå (Blå)



Figur C:

- [14] Batterilader (hurtig batterilader)
- [15] Strømledning med støpse
- [16] LED for ladekontroll – Rødt
- [17] LED for ladekontroll – Grønn

Før bruk:

1. Sett batteriet til lading og lad det helt opp.
2. Monter poleringsskiven med medfølgende nøkkel.
3. Sett på poleringssvampen med rett dimensjon (150mm) og påse at den sitter godt.
4. Sett i batteri og start maskinen med knapp 1 (Av/på knapp) og start poleringen.
5. Juster hastigheten for effektiv polering med knapp 2 (hastighetsknappen) slik du ønsker.
6. Det er flere trinn på hastighetsknappen, trykk flere ganger for å komme til ønsket hastighet.
7. Har du ekstra batteri, sett det til lading slik at det er klart når det andre er tomt.
For mer informasjon se Manual på Engelsk.



Safety instructions

● General power tool safety warnings



WARNING!

- ◆ **Read all safety warnings, instructions, illustrations and specifications provided with this power tool.** Failure to follow the warnings and instructions may result in electric shock, fire and/or serious injury.

Save all warnings and instructions for future reference.

The term “power tool” in the warnings refers to your mains-operated (corded) power tool or battery-operated (cordless) power tool.

Work area safety

- 1) **Keep work area clean and well lit.** Cluttered or dark areas invite accidents.
- 2) **Do not operate power tools in explosive atmospheres, such as in the presence of flammable liquids, gases or dust.** Power tools create sparks which may ignite the dust or fumes.
- 3) **Keep children and bystanders away while operating a power tool.** Distractions can cause you to lose control.

Electrical safety

- 1) **Power tool plugs must match the outlet. Never modify the plug in any way. Do not use any adapter plugs with earthed (grounded) power tools.** Unmodified plugs and matching outlets will reduce risk of electric shock.
- 2) **Avoid body contact with earthed or grounded surfaces, such as pipes, radiators, ranges and refrigerators.** There is an increased risk of electric shock if your body is earthed or grounded.
- 3) **Do not expose power tools to rain or wet conditions.** Water entering a power tool will increase the risk of electric shock.
- 4) **Do not abuse the cord. Never use the cord for carrying, pulling or unplugging the power tool. Keep cord away from heat, oil, sharp edges or moving parts.** Damaged or entangled cords increase the risk of electric shock.
- 5) **When operating a power tool outdoors, use an extension cord suitable for outdoor use.** Use of a cord suitable for outdoor use reduces the risk of electric shock.
- 6) **If operating a power tool in a damp location is unavoidable, use a residual current device (RCD) protected supply.** Use of an RCD reduces the risk of electric shock.

Personal safety

- 1) **Stay alert, watch what you are doing and use common sense when operating a power tool. Do not use a power tool while you are tired or under the influence of drugs, alcohol or medication.** A moment of inattention while operating power tools may result in serious personal injury.
- 2) **Use personal protective equipment. Always wear eye protection.** Protective

equipment such as dust mask, non-skid safety shoes, hard hat, or hearing protection used for appropriate conditions will reduce personal injuries.

- 3) **Prevent unintentional starting. Ensure the switch is in the off-position before connecting to power source and/or battery pack, picking up or carrying the tool.** Carrying power tools with your finger on the switch or energizing power tools that have the switch on invites accidents.
- 4) **Remove any adjusting key or wrench before turning the power tool on.** A wrench or a key left attached to a rotating part of the power tool may result in personal injury.
- 5) **Do not overreach. Keep proper footing and balance at all times.** This enables better control of the power tool in unexpected situations.
- 6) **Dress properly. Do not wear loose clothing or jewellery. Keep your hair, clothing and gloves away from moving parts.** Loose clothes, jewellery or long hair can be caught in moving parts.
- 7) **If devices are provided for the connection of dust extraction and collection facilities, ensure these are connected and properly used.** Use of dust collection can reduce dust-related hazards.
- 8) **Do not let familiarity gained from frequent use of tools allow you to become complacent and ignore tool safety principles.** A careless action can cause severe injury within a fraction of a second.

Power tool use and care

- 1) **Do not force the power tool. Use the correct power tool for your application.** The correct power tool will do the job better and safer at the rate for which it was designed.
- 2) **Do not use the power tool if the switch does not turn it on and off.** Any power tool that cannot be controlled with the switch is dangerous and must be repaired.
- 3) **Disconnect the plug from the power source and/or the battery pack from the power tool before making any adjustments, changing accessories, or storing power tools.** Such preventive safety measures reduce the risk of starting the power tool accidentally.
- 4) **Store idle power tools out of the reach of children and do not allow persons unfamiliar with the power tool or these instructions to operate the power tool.** Power tools are dangerous in the hands of untrained users.
- 5) **Maintain power tools. Check for misalignment or binding of moving parts, breakage of parts and any other condition that may affect the power tool's operation. If damaged, have the power tool repaired before use.** Many accidents are caused by poorly maintained power tools.
- 6) **Keep cutting tools sharp and clean.** Properly maintained cutting tools with sharp cutting edges are less likely to bind and are easier to control.
- 7) **Use the power tool, accessories and tool bits etc. in accordance with these instructions, taking into account the working conditions and the work to be performed.** Use of the power tool for operations different from those intended could result in a hazardous situation.
- 8) **Keep handles and grasping surfaces dry, clean and free from oil and grease.** Slippery handles and grasping surfaces do not allow for safe handling and control of the tool in unexpected situations.

Battery tool use and care

- 1) **Recharge only with the charger specified by the manufacturer.** A charger that is suitable for one type of battery pack may create a risk of fire when used with another battery pack.
- 2) **Use power tools only with specifically designated battery packs.** Use of any other battery packs may create a risk of injury and fire.
- 3) **When battery pack is not in use, keep it away from other metal objects, like paper clips, coins, keys, nails, screws or other small metal objects, that can make a connection from one terminal to another.** Shorting the battery terminals together may cause burns or a fire.
- 4) **Under abusive conditions, liquid may be ejected from the battery; avoid contact. If contact accidentally occurs, flush with water. If liquid contacts eyes, additionally seek medical help.** Liquid ejected from the battery may cause irritation or burns.
- 5) **Do not use a battery pack or tool that is damaged or modified.** Damaged or modified Batteries may exhibit unpredictable behaviour resulting in fire, explosion or risk of injury.
- 6) **Do not expose a battery pack or tool to fire or excessive temperature.** Exposure to fire or temperature above 130 °C may cause explosion.
- 7) **Follow all charging instructions and do not charge the battery pack or tool outside the temperature range specified in the instructions.** Charging improperly or at temperatures outside the specified range may damage the battery and increase the risk of fire.

Service

- 1) **Have your power tool serviced by a qualified repair person using only identical replacement parts.** This will ensure that the safety of the power tool is maintained.
- 2) **Never service damaged battery packs.** Service of battery packs should only be performed by the manufacturer or authorized service providers.

● Polisher safety warnings



WARNING!

- ◆ Dust from materials such as lead paint, some types of wood, and metal can be harmful to your health.
- ◆ Contact with or inhaling this type of dust can present a danger to the user or person nearby.



WARNING!



Wear safety glasses and a dust mask!



● Vibration and noise reduction

To reduce the impact of noise and vibration emission, limit the time of operation, use lowvibration and low-noise operating modes as well as wear personal protective equipment.

Take the following points into account to minimize the vibration and noise exposure risks:

- Only use the product as intended by its design and these instructions.
- Ensure that the product is in good condition and well maintained.
- Use correct accessory tools for the product and ensure they are in good condition.
- Keep tight grip on the handles/grip surface.
- Maintain this product in accordance with these instructions and keep it well lubricated (where appropriate).
- Plan your work schedule to spread any high vibration tool use across a longer period of time.

● **Behaviour in emergency situations**

Familiarise yourself with the use of this product by means of this instruction manual. Memorise the safety warnings and follow them to the letter. This will help to prevent risks and hazards.

- Always be alert when using this product, so that you can recognise and handle risks early. Fast intervention can prevent serious injury and damage to property.
- Switch the product off and disconnect it from the mains if there are malfunctions. Have the product checked by a qualified professional and repaired, if necessary, before you operate it again.

● **Residual risks**

Even if you are operating this product in accordance with all the safety requirements, potential risks of injury and damage remain. The following dangers can arise in connection with the structure and design of this product:

- Health defects resulting from vibration emission if the product is being used over long periods of time or not adequately managed and properly maintained.
- Injuries and damage to property due to broken accessory tools or the sudden impact of hidden objects during use.
- Danger of injury and property damage caused by flying objects.

NOTE

◆ This product produces an electromagnetic field during operation! This field may under some circumstances interfere with active or passive medical implants! To reduce the risk of serious or fatal injury, we recommend persons with medical implants to consult their doctor and the medical implant manufacturer before operating this product!

● **Battery charger safety warnings**

- This appliance can be used by children aged from 8 years and above and persons with reduced physical, sensory or mental capabilities or lack of experience and knowledge if they have been given supervision or instruction concerning use of the appliance in a safe way and understand the hazards involved. Children shall not play with the appliance. Cleaning and user maintenance shall not be made by children without supervision.

- Do not charge non-rechargeable batteries. Disregarding this instruction is hazardous.
- Protect the electrical parts against moisture. Do not immerse such parts in water or other liquids to avoid electrical shock. Never hold the appliance under running water. Pay attention to the instructions provided for cleaning, maintenance and repair.
- The appliance is suitable for indoor use only.

● Installing/removing the polishing disc and polishing sponge



WARNING!

Before installing/removing the polishing disc 6: Switch the product off. Remove the battery pack 4 from the product to prevent the product from starting unintentionally. Let the product cool down.



CAUTION! RISK OF INJURY!



Wear protective gloves.



CAUTION! RISK OF INJURY!

- ◆ Keep your hands away from the polishing disc [6] when the product is in operation.
- ◆ After the product has been switched off, the polishing disc [6] continues moving for some time. Do not touch the polishing disc and do not attempt to brake it.
- ◆ After the product has been switched off, the polishing disc [6] continues moving for some time. Do not touch the polishing disc and do not attempt to brake it.

NOTE

- ◆ The product must only be operated with the polishing disc [6] and polishing sponge [5] mounted.

1. Switch the product off.
2. Remove the battery pack [4].
3. Remove the thread cap [9] from the polishing disc [6].
4. Fix the spindle [8] using the wrench [10].

5. Installing:

- Screw the polishing disc [6] into the spindle [8] in clockwise direction.
- Attach the polishing sponge [5] on the polishing disc [6].

6. Removing:

- Rotate the polishing disc [6] in counter-clockwise direction.
- Remove the polishing sponge [5] from the polishing disc [6].

● Notes on the use of other accessory tools



CAUTION! RISK OF INJURY!

- ◆ Only use accessory tools recommended by the manufacturer . Using other accessory tools and other accessories can represent a risk of injury for you .
- ◆ Only use accessory tools, which bear information about the manufacturer, type of binding, dimension and permitted number of revolutions .
- ◆ Only use accessory tools where the printed rotational speed is at least as high as what has been specified on the product marking .
- ◆ Do not use any broken, cracked, or otherwise damaged accessories .
- ◆ Only use flawless accessory tools .
- ◆ Ensure that the accessory tool dimensions match those of the product .
- ◆ Never re-drill a locating hole which is too small to make it larger .
- ◆ Never use separate bushings or adaptors in order to make wheels with a hole that is too large fit the product .

● Switching on and off



CAUTION! RISK OF INJURY!



Always wear protective gloves when handling or working with the product.



CAUTION! RISK OF INJURY!

- ◆ Always hold the product with both hands while working.
- ◆ Keep your hands away from the polishing disc **6** when the product is in operation.

NOTE

- ◆ This instruction manual contains information and suggestions for several accessory tools and their uses. The accessory tools depicted are not included in the shipment, but are meant to indicate additional possibilities for using this product.



WARNING!

- ◆ Do not use accessories not recommended by Marine. This may result in electric shock or fire.

● Operation

● Attaching / removing the battery pack

- **Removing the battery pack:** Press the battery pack release button **11** . Remove the

battery pack **4** .

- **Attaching the battery pack:** Align the battery pack **4** to the grip handle **3** and slide the battery pack in. Ensure the battery pack clicks noticeably in place .
The battery pack can only be inserted into the product in one direction.

● **Checking the battery pack charging level (Fig. B)**

- Check battery pack charge level: Press the **12** button. The charging level LEDs **13** light up:

Charging Level	LED -1	LED -2	LED -3	LED -4
Maximum	Blue light	Blue light	Blue light	Blue light
80% Medium	Blue light	Blue light	Blue light	No light
50% Medium	Blue light	Blue light	No light	No light
Low	Blue light	No light	No light	No light

● **Charging the battery pack (Fig. C)**

NOTE

- ◆ The battery pack **4** may be charged at any time without reducing the life.
- ◆ Interrupting the charging process does not damage the battery pack **4** .
- Charge the battery pack **4** before operation when it is at medium or low charging level.
- The charging control LEDs (red **16** and green **17**) indicate the status of the charger **14**

and the battery pack **4** :

LED	Status
Red LED lights up	Battery pack charges
Green LED lights up	Battery pack fully charged
Green LED lights flash	Battery pack too cold or too warm
Red and Green lights flash simultaneously	Battery pack defective
Green LED lights up (without battery pack)	Charger ready

1. Insert the battery pack **4** into the charger **14** .

2. Connect the power cord with power plug **[15]** of the charger **[14]** to the socket.
3. When the battery pack **[4]** is fully charged: Remove the battery pack from the charger **[14]**. Then disconnect the power cord with power plug **[15]** of the charger from the socket.



CAUTION! RISK OF INJURY!

- ◆ After the product has been switched off, the polishing disc **[6]** continues moving for some time. Do not touch the polishing disc and do not attempt to brake it.



CAUTION! HEALTH RISK!

- ◆ Never work on materials containing asbestos. Asbestos is considered carcinogenic.
- **Switching on:** Press on/off switch continuously.
- **Switching off:** Press on/off switch continuously.

● **Adjusting the speed**

- +/- speed control button **[2]** up or down to adjust the speed.
- The product features 6 speed levels.

Speed level	Speed
1	low (2000 min ⁻¹)
6	high (4500 min ⁻¹)

● **Trial run**

- Always carry out a no-load trial run before starting work and after every accessory tool replacement. Switch the product off immediately if the accessory tool is not running smoothly, if considerable vibration occurs or if you hear abnormal noises.

● **Working instructions**



ATTENTION! RISK OR PROPERTY DAMAGE!

- ◆ Do not use a damaged polishing sponge **[5]**. Using a damaged polishing sponge increases the risk of scratches on the surface to be polished.
- Select a low speed for polishing (level 2000-2500min⁻¹) to prevent the surface from

overheating.

- When using a polishing agent, refer to the instructions for use from the polishing agent manufacturer.
- Apply the polishing agent to an area slightly smaller than the area which you intend to polish, Using the appropriate polishing accessory, work in the polishing agent using side-to-side or circular motions. Apply moderate pressure only.
- Apply the polishing compound in 4 to 6 even spots on the polishing accessories. Then distribute it selectively over the surface to be polished.
- Do not allow the polishing agent to dry out on the surface, as this may damage the surface.
- Do not expose the surface which you intend to polish to direct sunlight.

- Clean the polishing accessories regularly to ensure good polishing results.
- Wash the polishing accessories with mild detergent and warm water. Do not use thinning agents.

● **Cleaning and care**



WARNING!

- ◆ Always switch the product off, remove the battery pack [4] and let the product cool down before performing inspection, maintenance and cleaning work!



WARNING! RISK OF ELECTRIC SHOCK!

- ◆ Do not spray the product with water. Do not immerse the product in water.

● **Cleaning**

NOTE

- ◆ Do not use chemical, alkaline, abrasive or other aggressive detergents or disinfectants to clean this product as they might be harmful to its surfaces.
- Never allow fluids to get into the product.
- The product must always be kept clean, dry and free from oil or grease. Remove debris from it after each use and before storage.
- Regular and proper cleaning will help ensure safe use and prolong the life of the product.
- Clean the product with a dry cloth. Use a soft brush for areas that are hard to reach.
- In particular clean the air vents after every use with a cloth and soft brush.
- The vents must always be clear.

● **Maintenance**

- Before and after each use, check the product and accessories (e.g. accessory tools) for wear and damage. If required, exchange them for new ones as described in this instruction manual. Observe the technical requirements (see "Technical data").


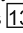
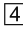
● **Repair**

- This product does not contain any parts that can be repaired by the use. Contact an authorised service centre or a similarly qualified person to have it checked and repaired.

● **Storage**

- Switch the product off.
- Clean the product (see “Cleaning”).
- Store the product and its accessories in a dark, dry, frost-free, well-ventilated place.
- Always store the product in a place that is inaccessible to children. The ideal long term storage (longer than 3 months) temperature is between +20 and +26 °C.

Battery pack advice

- Only store the battery pack  partially charged. The battery pack should be charged to 40 to 60 % (blue charging level LEDs  light up) before storing or extended periods.
- Check the battery pack  charge about every 3 months when storing for extended periods. Recharge as necessary.

● **Transportation**

- Switch the product off.
- Protect the product from any heavy impact or strong vibrations which may occur during transportation in vehicles.
- Secure the product to prevent it from slipping or falling over.

● **Disposal**

The packaging is made entirely of recyclable materials, which you may dispose of at local recycling facilities.



Observe the marking of the packaging materials for waste separation, which are marked with abbreviations (a) and numbers (b) with following meaning: 1–7: plastics/20–22: paper and fibreboard/80–98: composite materials.

Product:



Contact your local refuse disposal authority for more details of how to dispose of your worn-out product.



To help protect the environment, please dispose of the product properly when it has reached the end of its useful life and not in the household waste. Information on collection points and their opening hours can be obtained from your local authority.

Faulty or used batteries/rechargeable batteries must be recycled in accordance with Directive 2006/66/EC and its amendments. Please return the batteries/rechargeable batteries and/or the product to the available collection points.



Environmental damage through incorrect disposal of the batteries/rechargeable batteries!

Remove the batteries/battery pack from the product before disposal.

Recommended ambient temperature:

While charging:	(+4 to +40°C)
During operation:	(+4 to +40°C)
During storage:	(+20 to +26°C)

Noise emission value

The measured values have been determined in accordance with EN 62841. The A-rated noise level of the power tool is typically as follows:

Sound pressure level L_{pA} :	76.1 dB
Uncertainty K_{pA} :	3 dB

Sound power level L_{wA} :	84.1 dB
Uncertainty K_{wA} :	3 dB

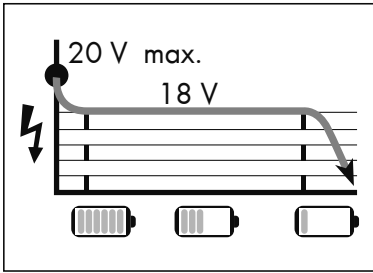
Vibration emission value

Vibration total values (triaxial vector sum) determined according to EN 62841:

Hand/arm vibration $a_{h,AG}$:	10.813 m/s ²
Uncertainty K:	1.5 m/s ²

Technical data

Cordless Polisher	S0P-DW05-150
Rated voltage:	20 V
Rated speed n_0 :	2000–4500 min ⁻¹
Plate size:	150 mm



Produktet skal kastes, resirkuleres etter lokale og nasjonale retningslinjer. I henhold til EU regler. Produktet skal aldri kastes i naturen eller på steder som ikke er godkjent mottak for elektrisk avfall. Produktet kan leveres inn der hvor det var kjøpt, de vil passe på at produktet blir behandlet korrekt.

Produktet skal kasseres og genanvendes i overensstemmelse med lokale og nasjonale retningslinjer og i overensstemmelse med EU-regler. Produktet må aldrig kastes i naturen eller på steder, der ikke er godkendte modtagelsessteder for elektronisk affald. Du kan returnere produktet til det sted, hvor det blev købt, og de vil sikre, at det bliver behandlet korrekt.

Produkten skall kastas, återvinna enligt lokala och nationella riktlinjer i enlighet av EU-regler. Produkten skall aldrig kastas i naturen eller i avfallshantering där elektriskt avfall ej är godkänt.

Tuote pitää rikkinäisenä hävittää ja kierrätetään paikallisten ja kansallisten ohjeiden mukaisesti, EU-sääntöjen mukaisesti. Tuotetta ei saa koskaan hävittää luontoon tai paikkoihin, jotka eivät ole hyväksytyjä sähköjätteen vastaanottoon. Tuotteen voi palauttaa siihen liikkeeseen, josta se on ostettu; he huolehtivat siitä, että tuote käsitellään oikein.

Importør: Norway Marine Supply AS

EU Declaration of Conformity

Norway Marine Supply AS.

Herewith we declare that the products Dual Action Polisher 20V
Model number: SOP-DW01-150

Are in conformity with the following European Directives if applicable.

2006/42/EC

2014/30/EU

2011/65/EU & (EU) 2015/863

And the harmonized standards

EN 62841-1:2015/A11:2022

EN 62841-2-4:2014

EN IEC 55014-1:2021

EN IEC 55014-2:2021

Manufacturer and name of the authorised representative of the technical documentation.

Signature:

Place and date: 01-05-2024



Norway Marine Supply as
Postboks 777 Stoa
4808 Arendal