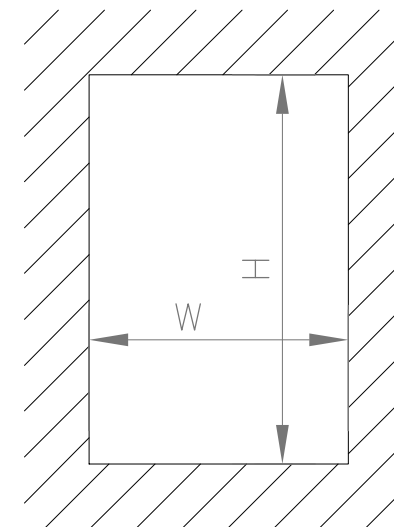


Can be reduced to 15 by compressor replacement



Mounting hole  
Cut-out

Dims. mm	WxH
Nominal	555x760
Min	545x752
Max	600x770

CR130 with flush mounting frame

Itemref	Quantity	Title/Name, designation, material, dimension etc			Article No./Reference	
Designed by	Checked by	Approved by - date	Filename	Date	Scale	
Owner				Title/Name		
Indel Marine S. Agata Feltria Italy				Isotherm Cruise 130		
				Drawing number	Edition	Sheet
				CR130 FL		

RevNo	Revision note	Date	Signature	Checked