

Gasfernschalter GSE / GS 8 / GS 10



D

Gebrauchsanweisung Einbauanweisung

Im Fahrzeug mitzuführen!

Seite 3

Seite 5

NL

Gebruiksaanwijzing Inbouwhandleiding

Im vertuig meenemen!

Pagina 18

Pagina 20



GB

Operating instructions Installation instructions

To be kept in the vehicle!

Page 8

Page 10

S

Bruksanvisning Monteringsanvisning

Skall medföras i fordonet!

Sida 23

Sida 25

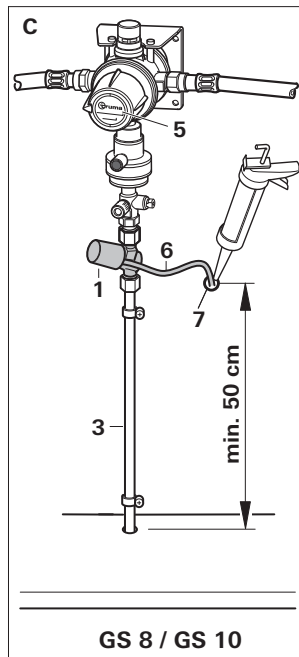
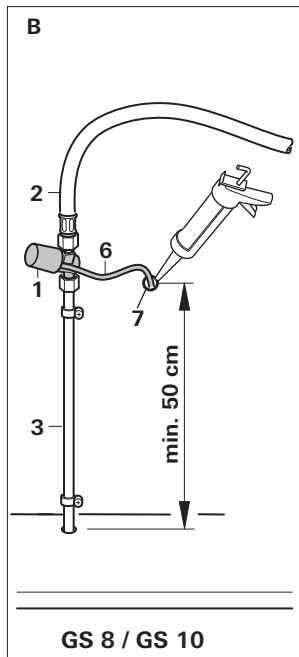
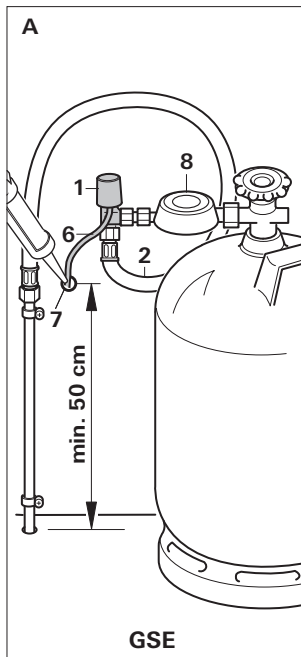
F

Mode d'emploi Instructions de montage

À garder dans le véhicule !

Page 13


Page 15



Intended use

Main shut-off valve for the gas supply is controlled from the inside of the vehicle.

Operating instructions

 This gas remote switch may only be used, if it is ensured that all gas appliances are fitted with a safety pilot! This is f. ex. the case with the actual Truma space and water heating systems.

The gas cylinders remain open while the system is being used.

If the gas supply is not to be used for some time, the gas cylinders should be turned off.


Open gas remote switch prior to checking for leaks.



- a = Gas supply "On"
- b = Gas supply "Off"
- c = Operation indicator lamp

Switching on the gas supply

Switch on at the control panel (a), the operating display (c) will light up and indicate that the system is in operation.

 In the event of a power failure, the solenoid valve in the Truma gas remote switch will close, and will open again automatically when the power is restored!

Switching off the gas supply

Switch off at the control panel (b).

Technical data

LPG flow rate with 2.5 mbar pressure drop (20 °C / 30 mbar)

GSE: 1.0 kg/h

GS 8: 1.5 kg/h

GS 10: 2.0 kg/h

Inlet connection

GSE: 1/4" left-hand union nut

GS 8: Journal Ø 8 mm

GS 10: Journal Ø 10 mm

Outlet connection

GSE: 1/4" left-hand external thread

GS 8: Cutting ring screw fitting with external thread, Ø 8 mm

GS 10: Cutting ring screw fitting with external thread, Ø 10 mm

Max. pressure

150 mbar

Nominal Voltage

12 V DC

Power consumption

40 mA

briefly (for opening) 2 A

Protection system

IP 54

Product Ident. Number

GSE: CE-0085AQ0898

GS 8/GS 10: CE-0085AS0506

Ambiant temperatur

-30 °C to +60 °C

Opening and closing time

< 0.1 s

Fitting Position

any

Dirt filter integrated in gas entrance.

CE 0085



This product is suitable for operation and installation in zone II (e.g. a gas cylinder box) in potentially explosive areas in accordance with ATEX directive 94/9/EC.



II 3 G Ex nA II T6

In the event of a defect or power failure the gas remote switch can be unscrewed from the gas line.



Before taking the equipment back into operation, the sealing tightness of the gas system must be tested in accordance with the pressure-drop method!

Truma Gerätetechnik GmbH & Co. KG
Werner-von-Braun-Straße 12
85640 Putzbrunn
Deutschland

Service

Telefon +49 (0)89 4617-2142
Telefax +49 (0)89 4617-2159

service@truma.com
www.truma.com