



**86-08950**

# Windlass Control Panel

**v1.0.2**

**EN** Installation manual

**NO** Installasjon manual

Keep this  
manual onboard !



**SLEIPNER MOTOR AS**

P.O. Box 519  
N-1612 Fredrikstad  
Norway  
Tel: +47 69 30 00 60  
Fax: +47 69 30 00 70

[www.side-power.com](http://www.side-power.com)  
[sidepower@sleipner.no](mailto:sidepower@sleipner.no)

Made in Norway

# Content/Innhold

---

|  |     |
|--|-----|
| Product Features/Produkt oversikt..... | 3   |
| Installation .....                     | 4   |
| Installasjon .....                     | 5   |
| Wiring diagram/Koblingskjema .....     | 6-7 |

## **Important !**

These panels will only work with Sidepower electric windlass with a built in electronic control box and a 4/5 lead control cable system. These panels are waterproof from the front end when correctly installed. However, you must ensure that they can never be submerged in water as this might cause a shortcircuit and thereby causing the thruster to start unintendedly.

## **Viktig !**

Disse kontroll panel fungerer bare med Sidepower elektriske vinsjer med integrert elektronisk kontroll boks og 4/5 leders kontroll kabel system. Disse panelene er vantette fra fronten når de er korrekt installert. Men, de må aldri stå slik att de er under vann da dette kan gi en kortslutning som kan føre til selvstarting av trusteren.

## DECLARATION OF CONFORMITY

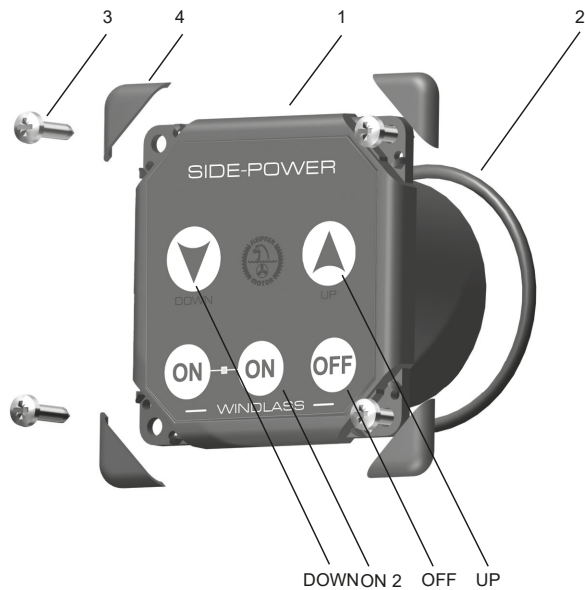


We, Sleipner Motor AS  
P.O. Box 519  
N-1612 Fredrikstad, Norway

declare that this product with accompanying standard remote control systems complies with the essential health and safety requirements according to the Directive 89/336/EEC of 23 May 1989 amended by 92/31/EEC and 93/68/EEC.

# Product features/Produkt oversikt

---



| Ref: | Pcs. | Parts:                        |
|------|------|-------------------------------|
| 1    | 1 x  | Control panel - Kontrollpanel |
| 2    | 1 x  | Gasket - Pakning              |
| 3    | 4 x  | Screws (A4) - Skruer          |
| 4    | 4 x  | Corner clips - Hjørne klips   |

# Installation

---

## **EN** Installation:

Find a comfortable position for the panel where it does not obstruct or are obstructed by other controls. Use the enclosed cut-out pattern to mark the area. Cut out the circular area as shown on pattern.

If the front surface around your cut out is jagged or chipped, use a sealant to assist the gasket.

**A** Put the gasket (2) in its designated track in the back face of the panel (1).

**B** Connect the contact with the control cable from the windlass .

**C** Connect the control output to the Sidepower automatic main switch if installed.

**D** Put the panel (1) in place and screw in and tighten the four screws (3).

**E** Press gently each of the four corner clips (4) into their corner slot.

**NB !** If the windlass runs the opposite way of the panel, swap positions of the grey and the blue control cables in one contact, by the control box unit.

## **NO** Installasjon:

Finn en god posisjon for panelet hvor det er lett tilgjengelig og ikke blokkerer andre kontroll enheter. Bruk den medsendte malen til å merke av området, og skjær ut det merkede området. Dersom kantene rundt utskjæringen blir skadet/ujevne på fremsiden må det benyttes en tetningsmasse sammen med pakningen for å sikre god tetning.

**A** Sett inn pakningen (2) i sporet på baksiden av panelet (1).

**B** Koble kontakten sammen med kontroll kabelen fra vinsjen.

**C** Koble kontroll signalet til Sidepower automatisk hovedstrømsbryter dersom installert.

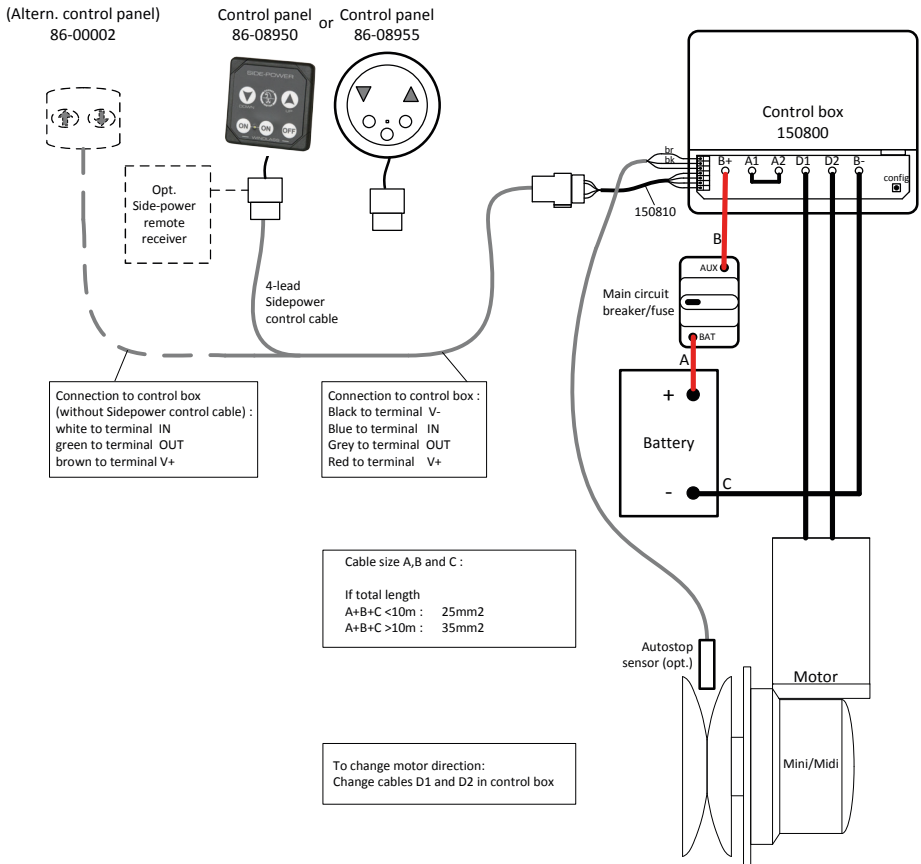
**D** Sett panelet (1) inn og skru inn de fire skruene (3).

**E** Press forsiktig inn hver av de fire hjørne klipsene (4) i hvert sitt hjørne.

**NB !** Dersom vinsjen skulle gå motsatt vei av panelet, bytt plassering på den grå og den blå kontroll ledning i en kontakt, ved kontrollboksen.



# Wiring diagram/Koblingskjesma



# Worldwide sales and service



[www.side-power.com](http://www.side-power.com)



SLEIPNER MOTOR AS P.O. Box 519 N-1612 Fredrikstad Norway  
Tel: +47 69 30 00 60 Fax: +47 69 30 00 70 [www.side-power.com](http://www.side-power.com) [sidepower@sleipner.no](mailto:sidepower@sleipner.no)

The information given in the document was correct at the time it was published. However, Sleipner Motor AS can not accept liability for any inaccuracies or omissions it may contain. Continuous product improvement may change the product specifications without notice. Therefore, Sleipner Motor AS can not accept liability for any possible differences between product and document.