



RNS-5

5 PORT RAYNET NETWORK SWITCH

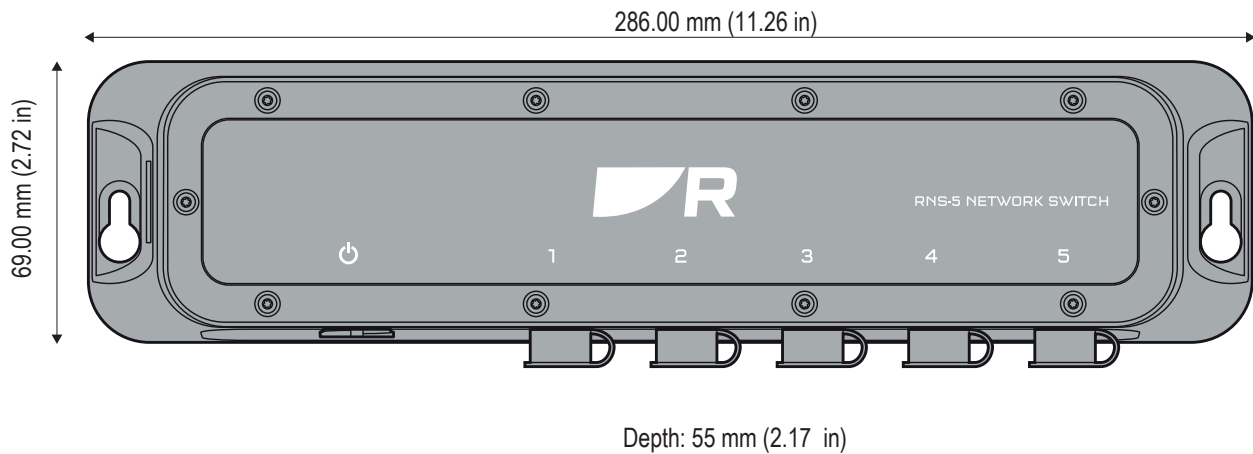
The RNS-5 network switch is designed for expanding Raymarine integrated chartplotter systems using RayNet high-speed Ethernet cabling. Use the RNS-5 to integrate Axiom displays with radars, sonar modules, IP cameras, and Teledyne FLIR thermal cameras. The RNS-5 also supports networking with Raymarine YachtSense digital control systems and the YachtSense Link marine mobile router. Two RNS-5 switches can be daisy-chained together for larger systems. The RNS-5 is simple to install and requires no complicated setup.

RNS-5 KEY FEATURES

- 5 RayNet Ethernet gigabit ports for fast and reliable connectivity
- Rugged IPX6 and IPX7 construction
- Reliable, waterproof RayNet connector Ethernet cable ports
- Designed for simple bulkhead mounting
- LED power and network port status indicators
- Unmanaged- simply plug and play with Raymarine devices.
- No complicated setup or configuration



RNS-5 SPECIFICATIONS



POWER SPECIFICATION	
Nominal supply voltage:	12 or 24 V dc
Operating voltage range:	9 to 32 V dc
Power Consumption	<2.5 watts <600mA @12V
ENVIRONMENTAL SPECIFICATION	
Operating temperature range:	-25°C (-13°F) to + 55°C (131°F)
Storage temperature range:	-30°C (-22°F) to + 70°C (158°F)
Humidity:	up to 93% @ 40°C (104°F)
Water ingress protection:	IPx6
PHYSICAL SPECIFICATION	
Dimensions (w x h x d):	286 mm (11.26 in) x 69 mm (2.72 in) x 55 mm (2.17 in)
Weight:	.36 Kg (.79 lbs)
NETWORK	
Protocols	RayNet Ethernet. Legacy SeaTalkHS using an adaptor cable
Connection Speed	1 Gigabit
Number of Ports	5

For further information go to our website

www.raymarine.com

22-0668-MAR / JULY 2022 / V1.0