

# PRODUCT MANUAL

**46ST** (V.5.0)

**46ST FS** (V.5.0.F)

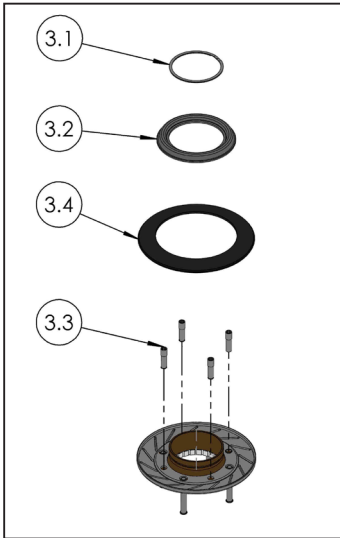
**50ST** (V.2.0)

**50ST FS** (V.2.0.F)

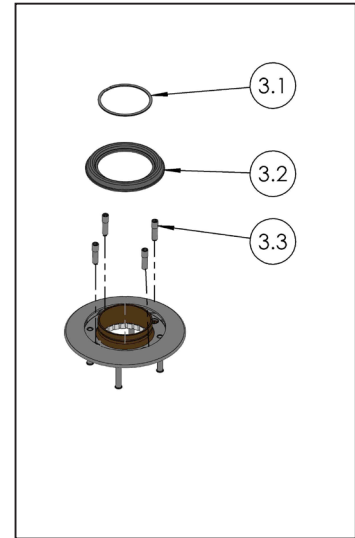


## EXPLODED VIEW

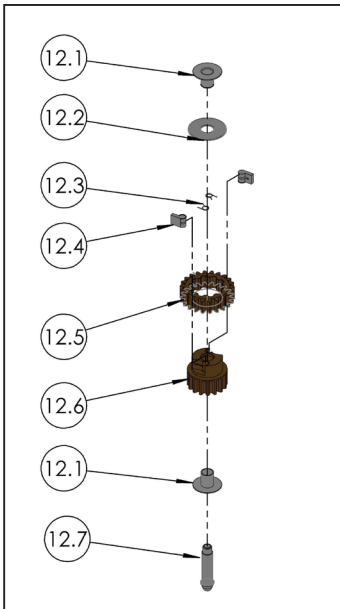
ITEM. 3  
MODEL ST - PART No. 544521



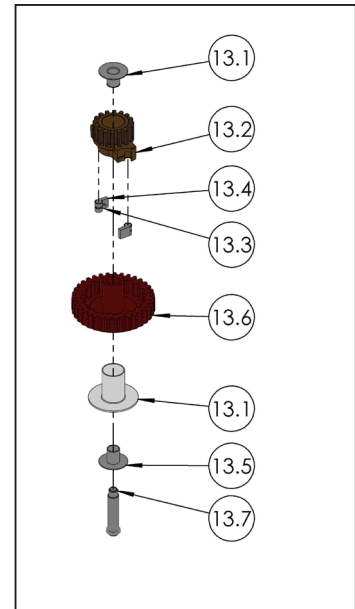
ITEM. 3  
MODEL ST FS - PART No. 544530



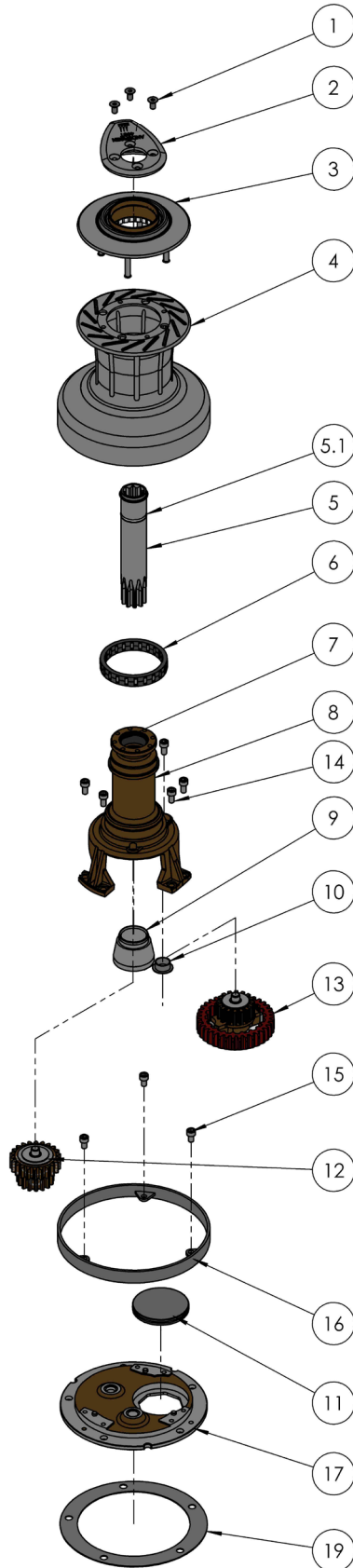
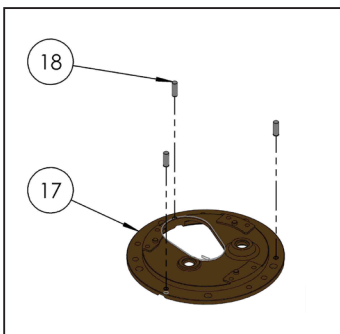
ITEM. 12 - PART No. 775600/775650



ITEM. 13 - PART No. 775500



ITEM. 17  
MODEL STE AD - PART No. 748102



## I PARTS LIST

ITEM NO.	QTY.	DESCRIPTION	PART NO.
1	3	Screw	543311
2	1	Self-tailing arm - Model 46ST	734316
2	1	Self-tailing arm - Model 50ST	734411
3	1	Self-tailing top complete - Model ST	544521
3	1	Self-tailing top complete - Model ST FS	544530
3.1	1	Circlip	590300U
3.2	1	Top ring	595010
3.3	4	Screw	585100
3.4	1	Disc - Model ST (544521 only)	71210
4	1	Drum complete	735901
5	1	Drive shaft complete	782801
5.1	1	O-ring	RD100302
6	1	Roller bearing complete	727400
7	1	Bushing (not removable)	716503
8	1	Upper base plate with bushings	775400
9	1	Bearing bushing (not removable)	734900
10	1	Bushing	RD877000
11	1	Plug for deck plate	783900
12	1	Small ratchet gear complete - Model 46ST	775600
12	1	Small ratchet gear complete - Model 50ST	775650
12.1	2	Bushing	981410
12.2	1	Washer	524300
12.3	2	Pawl	713200
12.4	2	Arm spring	713300
12.5	1	Ratchet gear wheel - Model 46ST	523000
12.5	1	Ratchet gear wheel - Model 50ST	523050
12.6	1	Gear wheel	523802
12.7	1	Shaft for small ratchet gear	980300
13	1	Ratchet gear complete	775500
13.1	2	Bushing	981410
13.2	1	Pawl gear wheel	523903
13.3	2	Arm spring	713300
13.4	2	Pawl	713200
13.5	1	Bushing	525500
13.6	1	Ratchet gear wheel	525300
13.7	1	Shaft for ratchet gear	980410
14	6	Screw	DIN912-A4-M6X12
15	3	Screw	DIN912-A4-M6X8
16	1	Basecover	735321
17	1	Deck plate for STE Below Deck Motor and manual operated winch	746801
17	1	Deck plate STE Above Deck Compact Motor	748102
18	3	Pin	713401
19	1	Sealing for aluminium deck (not included)	775800
	<b>1</b>	<b>Service kit 19 (not included)</b>	<b>710019</b>

## I MOUNTING INSTRUCTIONS

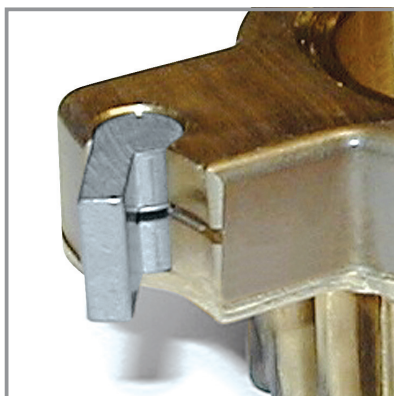
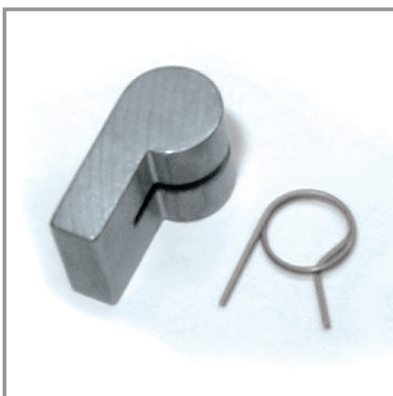
Installing the winch is easy, if you follow these instructions. The numbers in ( ) refer to the position numbers in the parts list.

### Tools required for the installation:

- Allen key (4 mm)
- Allen key (5 mm)
- Allen key (6 mm)
- Ø8.5 mm (11/32") drill
- Bedding compound
- 5 x M8 (5/16") countersunk head screws and corresponding nuts (length depending on deck thickness)
- 5 x large washers or backing plate
- Ring spanner to match nuts

1. Drill bolt holes Ø8,5mm (11/32") using the winch template.  
Be sure that no dust comes in contact with the winch, while drilling.
2. Remove screws (1).
3. Remove self-tailing arm (2) and drum (4).
4. Apply a light coat of bedding compound, ensuring that each bolt hole is bedded.  
Keep drain grooves clear.
5. Fasten lower base (19) into place using 5 pcs. M8 (5/16") bolts.  
Use large washers or a backing plate.
6. Assemble in reverse order.
7. Check that the winch is functioning correctly:
  - The drum should operate smoothly, when turning the drum clockwise by hand.
  - The drum must not turn when trying to turn the drum anti clockwise by hand.
  - While turning the winch handle clockwise the drum should turn slowly.
  - While turning the winch handle anti clockwise the drum should turn quickly.

## PAWL SPRING MOUNTING



Note the curved  
spring "arm"

## SERVICE INSTRUCTIONS

### Tools required for service:

- Allen key (4 mm)
- Allen key (5 mm)
- Screwdriver (small)
- Winch handle
- ANDERSEN winch grease

1. Remove screws (1).
2. Remove self-tailing arm (2) and drum (4).
3. Remove screws (14).
4. Remove upper base (8), and place it in a safe and comfortable place before dismantling it.
5. Remove drive shaft (5) by using a finger or a winch handle.
6. To release the roller bearing (6), gently insert a small screwdriver between roller bearing and base plate (8). Remove roller bearing.
7. Remove shafts (12.7, 13.7).
8. Remove and dismantle the two gear units.
9. Clean all parts in white spirits/mineral spirits. Remember to clean the gear teeth, roller bearing track and bushing inside the drum (4).
10. Assemble in reverse order. During assemble, by the use of a small soft brush lightly grease all gear teeth, drive shaft, roller bearing, shafts, pawls, springs and bushings. Pawls should only be lubricated with a very thin film of ANDERSEN WINCH GREASE. It is very important that pawls can move freely.

**IMPORTANT:** When assembling the winch, check the functioning of each pawl by pushing the pawl against the spring. The pawls should move smoothly and automatically return to their normal position, where the pawls engage with the teeth. If the pawls do not function correctly, clean and lubricate the pawls and gears. Check the function of the pawls again to make sure that it works correctly. If the pawls do not work correctly replace the springs and recheck the functioning.

Malfunctioning pawls may lead to unexpected release of the winch force resulting in fatal injuries to the user and others.

Service Kit No: 19 (part. no. 710019) contains spare parts for this winch.

### Maintenance instructions for PVD coated stainless steel surfaces.

PVD-coated surfaces should be rinsed regularly in fresh water to remove any salt residue, dirt or other contaminants and dried gently with a soft cloth. To remove grease or other marks, a mild abrasive free cleaning agent such as spray-on glass cleaning solution may be used. No caustic detergents or other aggressive or abrasive cleaning agents should ever be used, as they may damage the surface.

## GENERAL INFORMATION

Due to the best choice of materials and high precision in manufacturing, we recommend, for normal use, only to dismantle, clean and lubricate the winch once every second year. Under extensive use, such as racing, charter or blue water sailing, we recommend to lubricate the winch once every year.

We strongly recommend always to use ANDERSEN WINCH GREASE, when lubricating your winch. ANDERSEN WINCH GREASE is a high quality silicone/Teflon grease product.

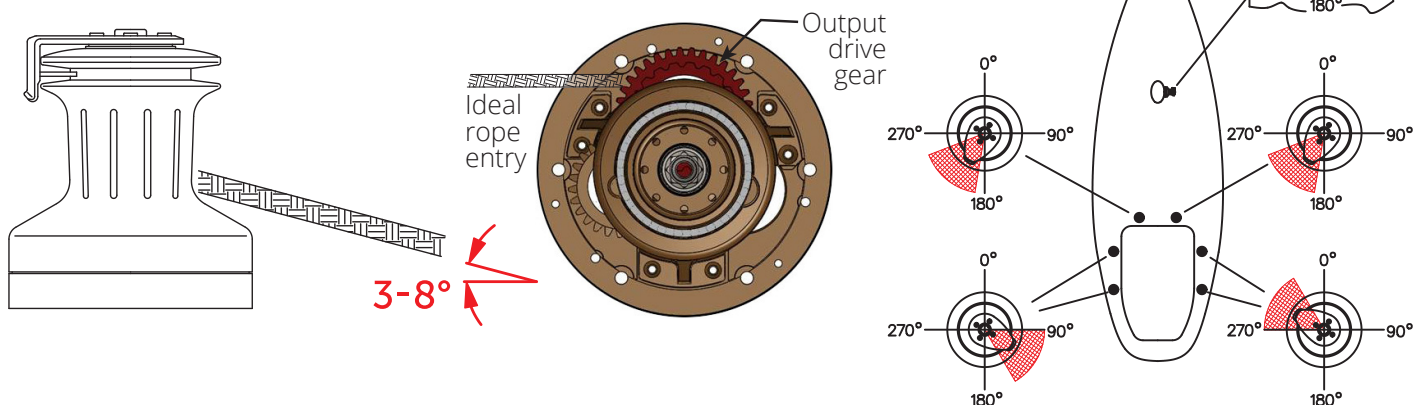
Most other types of grease, including "marine grease" are not suitable for lubrication of winches. Non-suitable grease products can cause malfunction, which could result in fatal injuries for the user and others.

Pawl arm springs should be replaced every second year. Spare arm springs and other parts that may be required are included in the ANDERSEN Service Kit. Please refer to the service instruction for the Service Kit suitable for the specific winch.

When the winch handle is not in use but the winch is under load, we recommend, from a safety point of view, to remove the winch handle from the winch.

To ensure correct function of the self-tailing unit, only use recommended line sizes. When using the winch with mooring lines DO NOT use the self-tailing function and be sure that the mooring line is not in contact with the self-tailing arm.

To ensure the best possible functioning of the winch, we recommend that the winch is placed in accordance with the line entry (shown below).



Be also aware that the self-tailing arm is positioned correctly. We recommend to have the self-tailing arm positioned within the shaded area (shown above). On this model the self-tailing arm can be placed in several different positions after having installed the winch.

To identify the Output Drive Gear, insert a winch handle into the winch and rotate in both directions, the drive gear will only rotate clockwise in a fast and slow speed.



## I SAFETY NOTICES

### I ALL WINCHES



#### **Read All Safety Notices and Product Manuals**

Do not install or operate this winch before reading and fully understanding the contents of this Product Manual.



#### **Stay Alert When Operating**

Andersen winches are very powerful and have the potential to cause significant damage and/or serious injury if used improperly or without due caution and vigilance.



#### **Operators Must be Trained**

Help prevent significant damage and/or serious injury by ensuring any person operating a winch has a thorough understanding of its proper operation and is aware of the potential hazards involved. As a minimum, all winch operators must read and understand this Safety Notice Sheet and the Product Manual.

Particular attention is drawn to the following points:

- Children and others not qualified to operate an electric winch must be kept at a safe distance from the winch and any rigging or fittings that are under load.
- Long hair and/or loose clothing must be tied back to avoid being caught in the winch.
- In the event of a rope override or other fault, stop the winch and turn off power before attempting to resolve the problem.



#### **Avoid Accidental Operation**

Remove winch handles and turn off power to the winch when not in use to help avoid unsupervised or unintentional operation. Failure to do so could result in significant damage and/or serious injury.



#### **Maintenance**

Turn off power to the winch before performing any maintenance or service tasks. Failure to do so could result in significant damage and/or serious injury.



#### **Lifting Operations**

The winch must not be operated with the rope in the self tailer when used in any kind of lifting operation.

Any lifting operations should be conducted by two persons in order to maintain constant visual contact with the object being lifted.

Furthermore the self tailer must not be used as a cleat for a rope used to lift or suspend any object. The rope must be secured properly by tying off, or leading to a suitable fitting such as a cleat or bollard.

**I Failure to observe these precautions could result in serious injury or death.**

**I DO NOT DISCARD**



# PRODUCT MANUAL

**46ST (V.5.0) | 46ST FS (V.5.0.F) | 50ST (V.2.0) | 50ST FS (V.2.0.F)**

---

p8

## **| WORLDWIDE DISTRIBUTION & SERVICE**

| Visit [www.andersenwinches.com](http://www.andersenwinches.com)

## **| WARRANTY**

| Visit [www.ronstan.com/warranty](http://www.ronstan.com/warranty)

**Manufactured by Ronstan Denmark ApS.**  
Jægervænget 36 - 7100 Vejle - Denmark  
office@ronstan.dk - [www.andersenwinches.com](http://www.andersenwinches.com)

