



BALDER

MAXIMUM FLEXIBILITY

NEW FREE-FALL WINDLASS



Automatic **Stop**



Remote Controls



Leaded rope
12/14/16 mm



BALDER

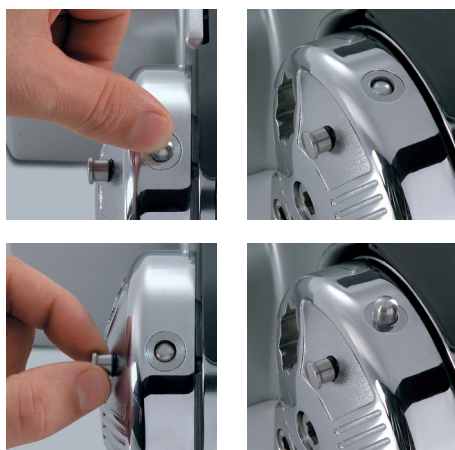
MAXIMUM FLEXIBILITY

NEW

MOTOR POWER 600/900/1200 Watt

FREE-FALL WINDLASS

Automatic Free-Fall System



The **Automatic Free-Fall System** applied to the Balder windlass allows free running of rope through the gypsy when lowering the anchor; simply by depressing the down control button the windlass will release its clutch and the gypsy will freewheel. To stop the Free-Fall depress the up control button on the windlass; the clutch will engage stopping the gypsy and allowing retrieval of the rope. The Free-Fall function can be bypassed to facilitate power controlled release.

Accessories

NEW



AISI 316 Stainless steel

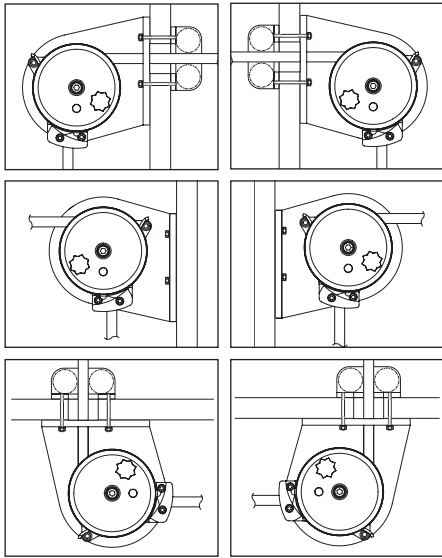
Automatic Stop

Mounting kit Thru-hull with automatic device

The **Automatic Stop** kit allows you to automatically stop the anchor on its way up leaving it in its stowed position. The **Automatic Stop** is a simple system composed of a thru-hull fitting equipped with a sensor and a composite shell, that is easily fixed to the leaded rope, equipped with magnets.

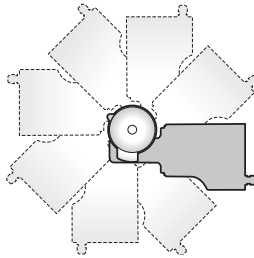
The rope will run freely until the magnets don't get in contact with the sensor which again will automatically stop the motor by interrupting the electrical circuit.

The Quick Balder Free Fall windlass is designed for inside/stern installations but may easily be adapted to other type of installations due to its flexible mounting options.



The mounting bracket allows the user to install the windlass in a variety of combinations.

The motorgearbox can be rotated and fixed in several positions every 45°.



Gypsy for rope 12/14/16 mm

The rope-only gypsy has been specifically developed for use of rope at maximum output. The special ribbing allows optimal grip.

Anodized aluminium Quick gearbox

IP67 Watertight Motor

AISI 316 Stainless steel thru-hull and rope guide bracket

Chromed bronze gypsy and gypsy cover

AISI 316 Stainless steel rope guide

MODEL	BALDER 600		BALDER 900		BALDER 1200	
MOTOR POWER	600 W		900 W		1200 W	
Motor supply voltage	12 V	24 V	12 V	24 V	12 V	24 V
Maximum rope speed	15,4 m/min (50.5 ft/min)		25,8 m/min (84.6 ft/min)		31,2 m/min (102.3 ft/min)	
Protection circuit breaker	60 A	40 A	50 A	40 A	80 A	50 A
Weight	9 Kg (19.8 lb)		19 kg (41.9 lb)		19,20 kg (42.3 lb)	

Accessories



Remote Controls

IP67 Watertight hand held Remote Control

Radio remote control with hand held transmitter and pocket transmitter



Leaded rope

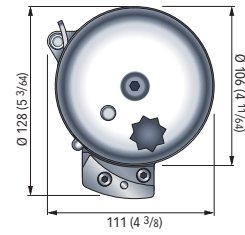
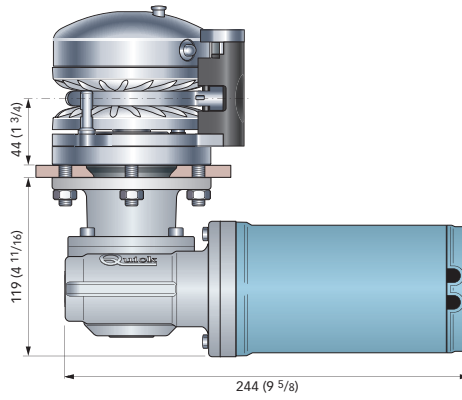


12, 14, and 16 mm

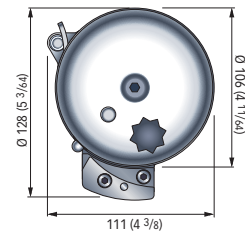
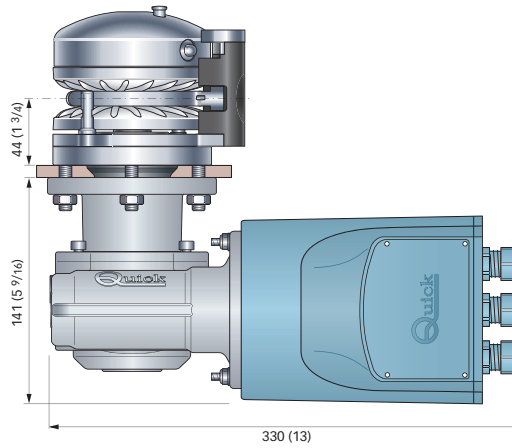
Balder series

Dimensions in mm (inch)

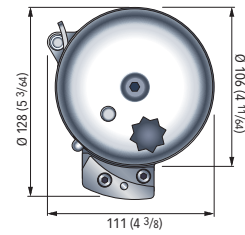
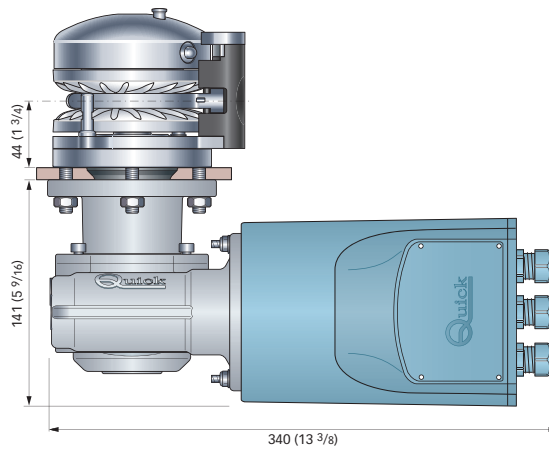
BALDER 600 Watt



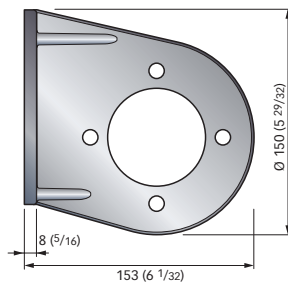
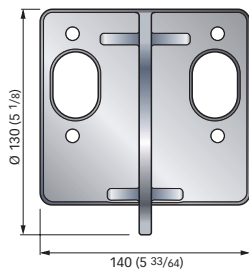
BALDER 900 Watt



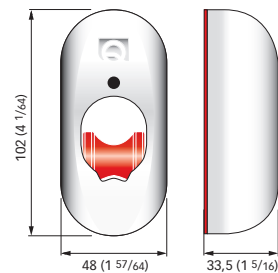
BALDER 1200 Watt



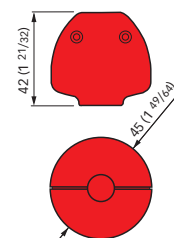
Mounting bracket



Thru-hull



Automatic Stop



THE COMPANY RESERVES THE RIGHT TO MODIFY THE CHARACTERISTICS OF THE ARTICLES IN THIS DEPLANT WITHOUT NOTIFICATION. Stampo Tipografia Moderna / Ravenna