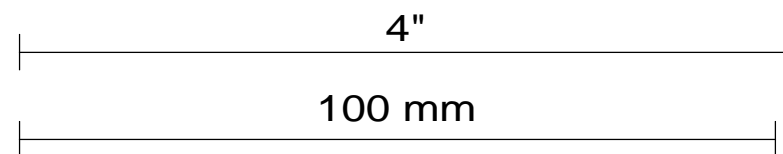
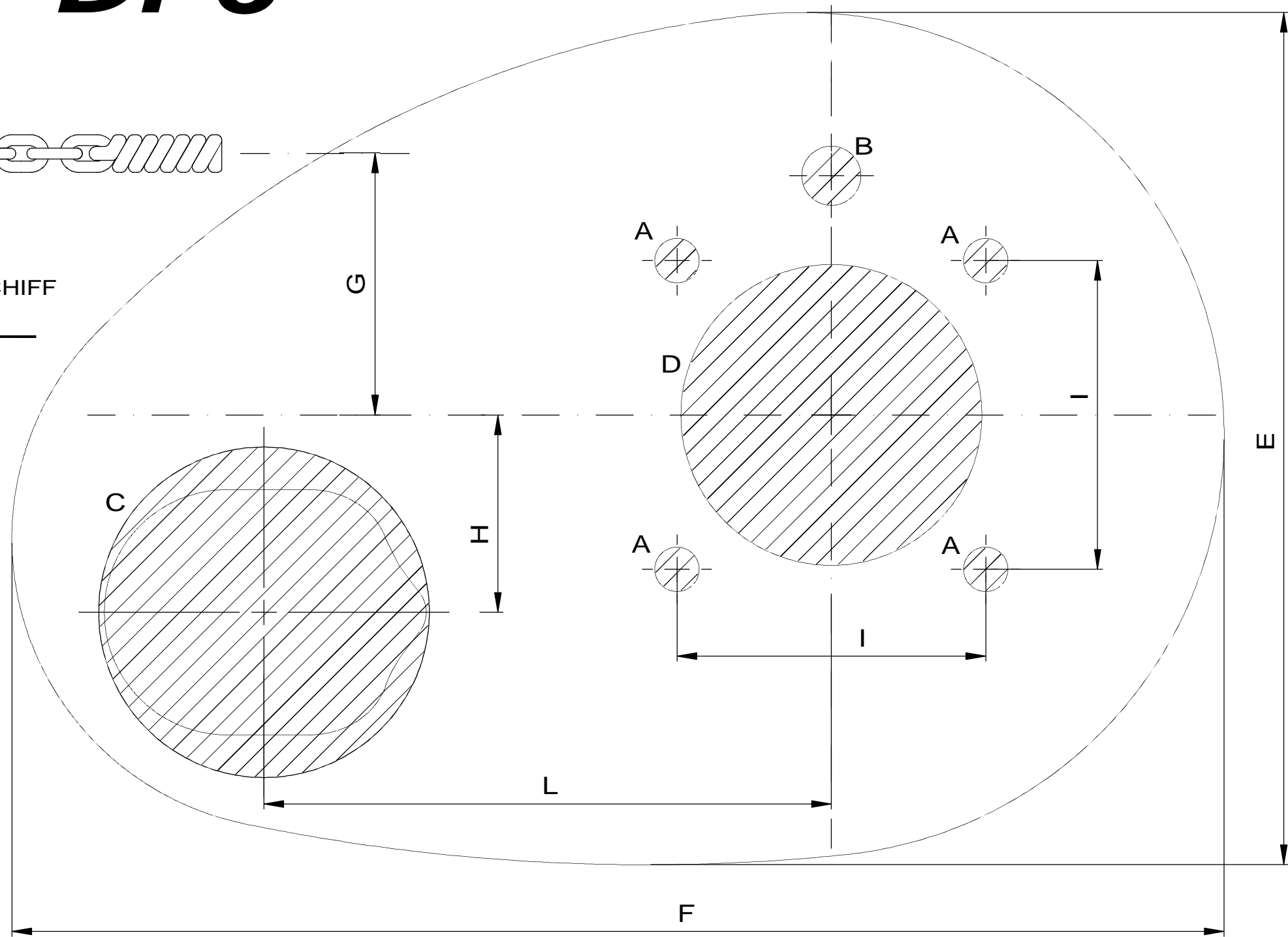


DP3

	mm	inch
A	ø9	ø23/64
B	ø11	ø7/16
C	ø67	ø2"5/8
D	ø65	ø2"9/16
E	172.8	6"13/16
F	245.7	9"11/16
G	53	2"7/8
H	40	1"37/64
I	62.58	2"15/32
L	115	4"17/32



 <small>Via Piangipane, 120/A - 48020 Piangipane (Ra) Italy. Telefono +39.0544.415061 - Fax +39.0544.415047</small>	Name DRILLING TEMPLATE		Rev. <table border="1"><tr><td>1</td><td>2</td><td>3</td><td>4</td></tr></table>	1	2	3	4
	1	2	3	4			
Model DP3	Size A3		Scale <u>1:1</u>				
			Drawing units <u>mm</u>				
			File _____				
			Date <u>10/08/2011</u>				

This is an unpublished work the copyright in which rest in Quick s.r.l. All this document and its information is supplied without liability for error or party may be reproduced used or disclosed except as authorized by contract or permission.