

SPARE PARTS LIST

AIRTRONIC S3 COMMERCIAL

AIRTRONIC M3 COMMERCIAL / AIRTRONIC M3 RECREATIONAL

AIRTRONIC L3 COMMERCIAL / AIRTRONIC XL3 COMMERCIAL



This spare parts list is valid for the following engine-independent air heaters:

Air heaters for diesel fuel

| | Order No. |
|-------------------------------|-----------------|
| Airtronic S3 D2L 12 V | 25.2953.05.0000 |
| Airtronic S3 D2L 12 V* | 25.3066.05.0000 |
| Airtronic S3 D2L 12 V CI-Bus | 25.3092.05.0000 |
| Airtronic S3 D2L 12 V* CI-Bus | 25.3093.05.0000 |
| Airtronic S3 D2L 12 V VDP | 25.3034.05.0000 |
| Airtronic S3 D2L 24 V | 25.2954.05.0000 |
| Airtronic S3 D2L 24 V ADR | 25.3038.05.0000 |
| Airtronic M3 D4L 12 V | 25.2955.05.0000 |
| Airtronic M3 D4L 12 V VDP | 25.3035.05.0000 |
| Airtronic M3 D4L 24 V | 25.2956.05.0000 |
| Airtronic M3 D4L 24 V ADR | 25.3039.05.0000 |
| Airtronic M3 D4R 12 V | 25.2957.05.0000 |
| Airtronic M3 D4R 12 V VDP | 25.3036.05.0000 |
| Airtronic M3 D4R 12 V CI-Bus | 25.3051.05.0000 |
| Airtronic M3 D4R 24 V | 25.2958.05.0000 |
| Airtronic L3 D6L 12 V | 25.2959.05.0000 |
| Airtronic L3 D6L 12 V VDP | 25.3037.05.0000 |
| Airtronic L3 D6L 24 V | 25.2960.05.0000 |
| Airtronic XL3 D8L 24 V | 25.3020.05.0000 |

*) Cable outlet, left

Air heaters for petrol

| | Order No. |
|-----------------------|-----------------|
| Airtronic S3 B2L 12 V | 20.2029.05.0000 |
| Airtronic M3 B4L 12 V | 20.2030.05.0000 |
| Airtronic M3 B4R 12 V | 20.2031.05.0000 |

A WORLD OF COMFORT



Eberspächer

| Chapter | Chapter title | Page |
|----------|---|------|
| | Chapter contents | |
| 1 | Information | |
| 1.1 | General information | 3 |
| 1.2 | Reference documents | 3 |
| 1.3 | Determining the quantity required for the order | 3 |
| 1.4 | Using the nameplate to determine the production date | 3 |
| 2 | Heater | |
| 2.1 | Spare parts diagram | 4 |
| 2.1.1 | Airtronic S3/M3 | 4 |
| 2.1.2 | Airtronic L3/XL3 | 5 |
| 2.2 | Spare parts list | 6 |
| 3 | Electrics, fuel, hot air and combustion air system | |
| 3.1 | Spare parts diagram | 8 |
| 3.1.1 | Airtronic S3/M3/L3 | 8 |
| 3.1.2 | Airtronic XL3 | 9 |
| 3.2 | Spare parts list | 10 |

1 Information

1.1 General information

This document is to be used when ordering spare parts for the heaters listed on the title page, to the exclusion of all liability claims.

Depending on the version or revision status of the heater, differences may occur compared to this documentation. Please check this before ordering the spare parts and take any possible differences into account.

1.2 Reference documents

Technical description

Describes the function and proper installation and contains all information necessary for safe operation of the heater.

Repair instructions

Contain the necessary information for troubleshooting and for repair of the heater.

Installation recommendation

Describes vehicle-specific installation situations.

Installation Instructions Plus

Supplementary information on heaters and control units.

1.3 Determining the quantity required for the order

The information in the “quantity per unit” and “quantity per SU” (sales unit) columns is used to determine the quantity of a spare part required and the SU (sales units) to be ordered.

Quantity per unit

The number in this column indicates how many of the spare part concerned are installed in the whole unit.

Quantity per SU

The number in this column indicates how many of the spare part concerned are contained in one SU (sales unit).

Order No. (SU)

The order number refers to an SU.

1.4 Using the nameplate to determine the production date

To place the spare parts order correctly, in some cases it is necessary to determine the production date of the heater before ordering the spare part. There are two options for doing this on the heater's nameplate.



1 Determination of the calendar week

- Representation of the production calendar week as a four-digit number (e.g. “1118” = calendar week 11 in year 2018)

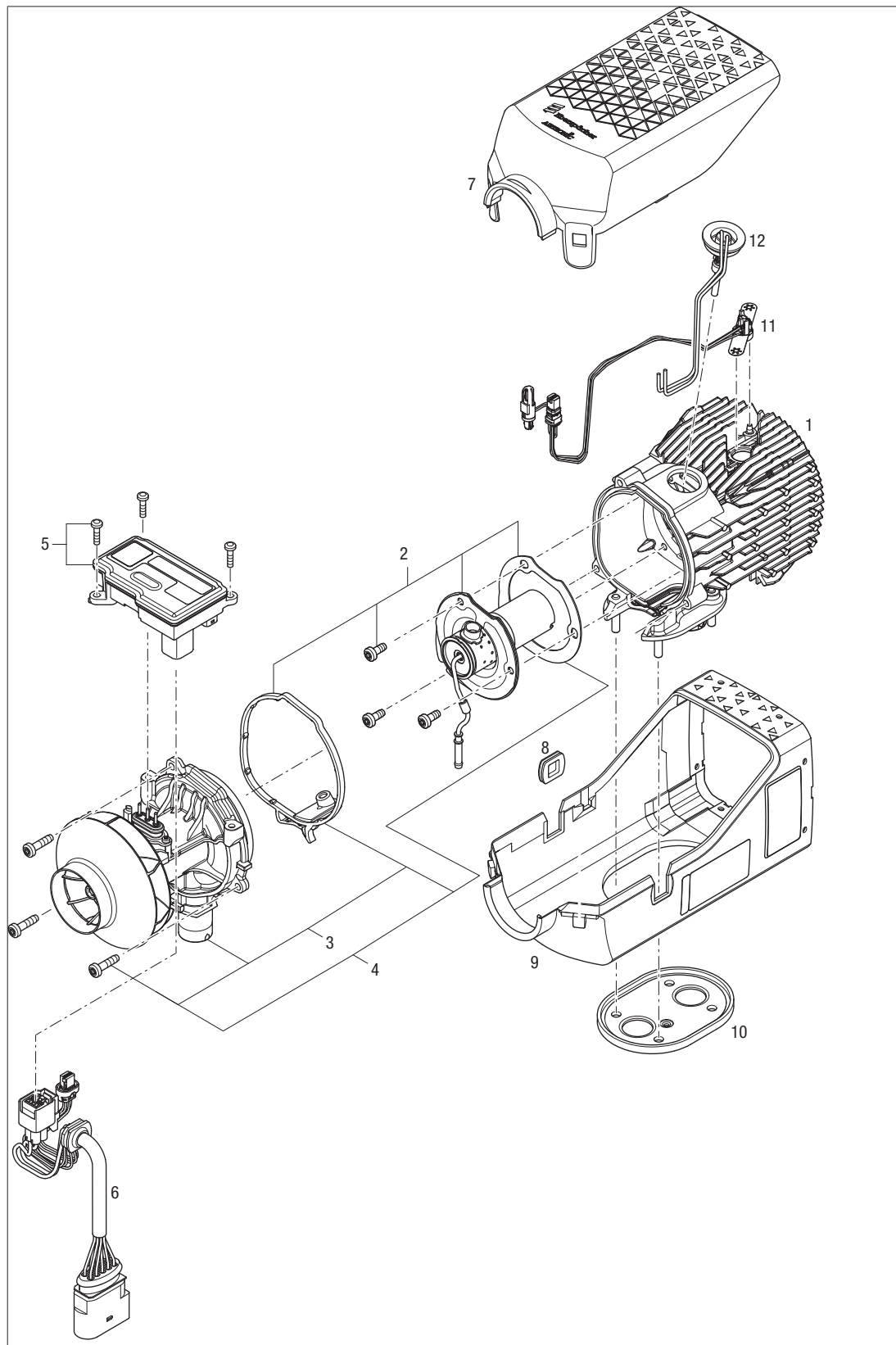
2 Determining the date

- Scan the QR code with a QR code reader.
- The production date is given by the 8-digit representation of the date in the third from last position of the read out text (e.g. “14032018” = 14 March 2018)

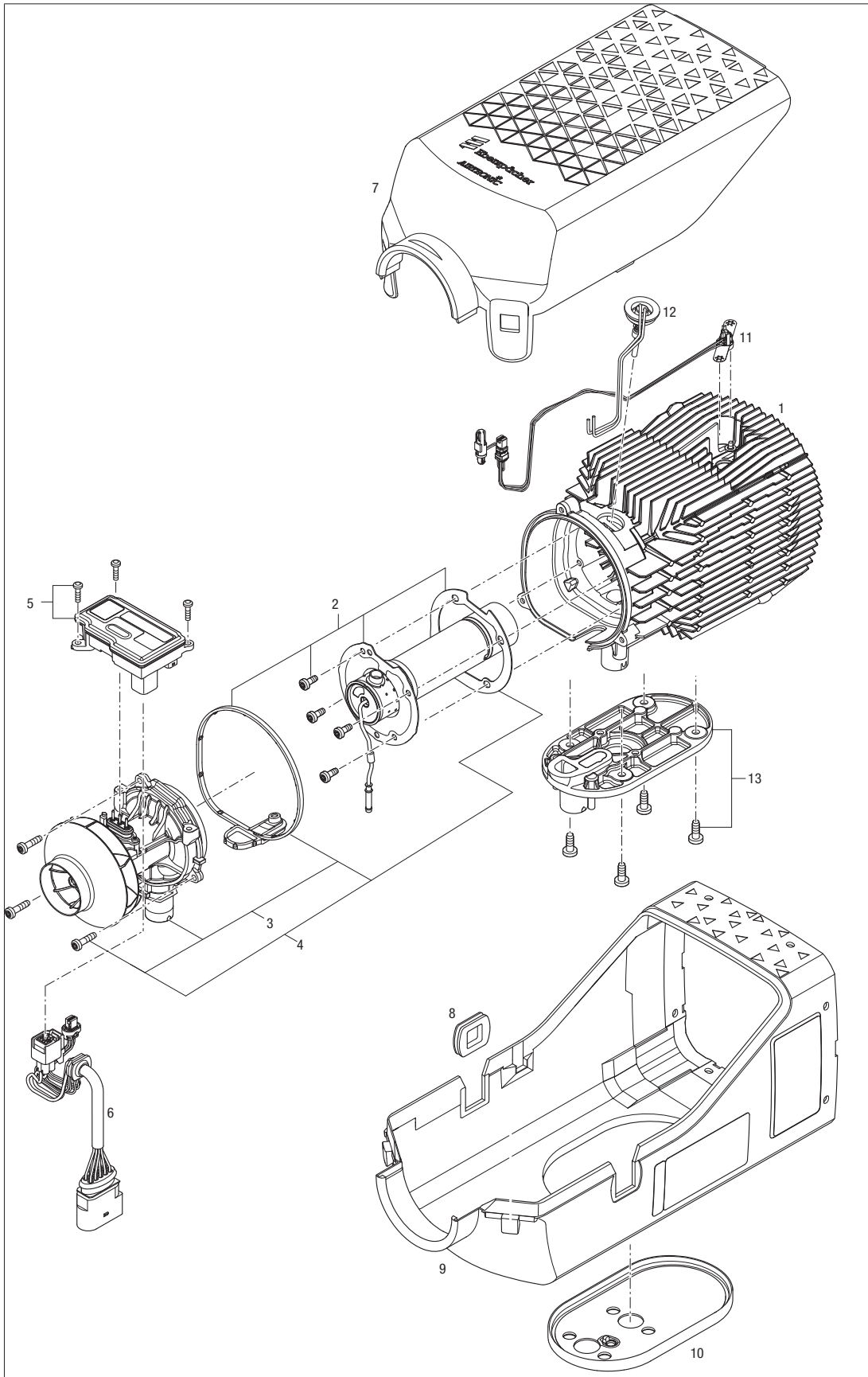
2 Heater

2.1 Spare parts diagram

2.1.1 Airtronic S3/M3



2.1.2 Airtronic L3/XL3



2.2 Spare parts list

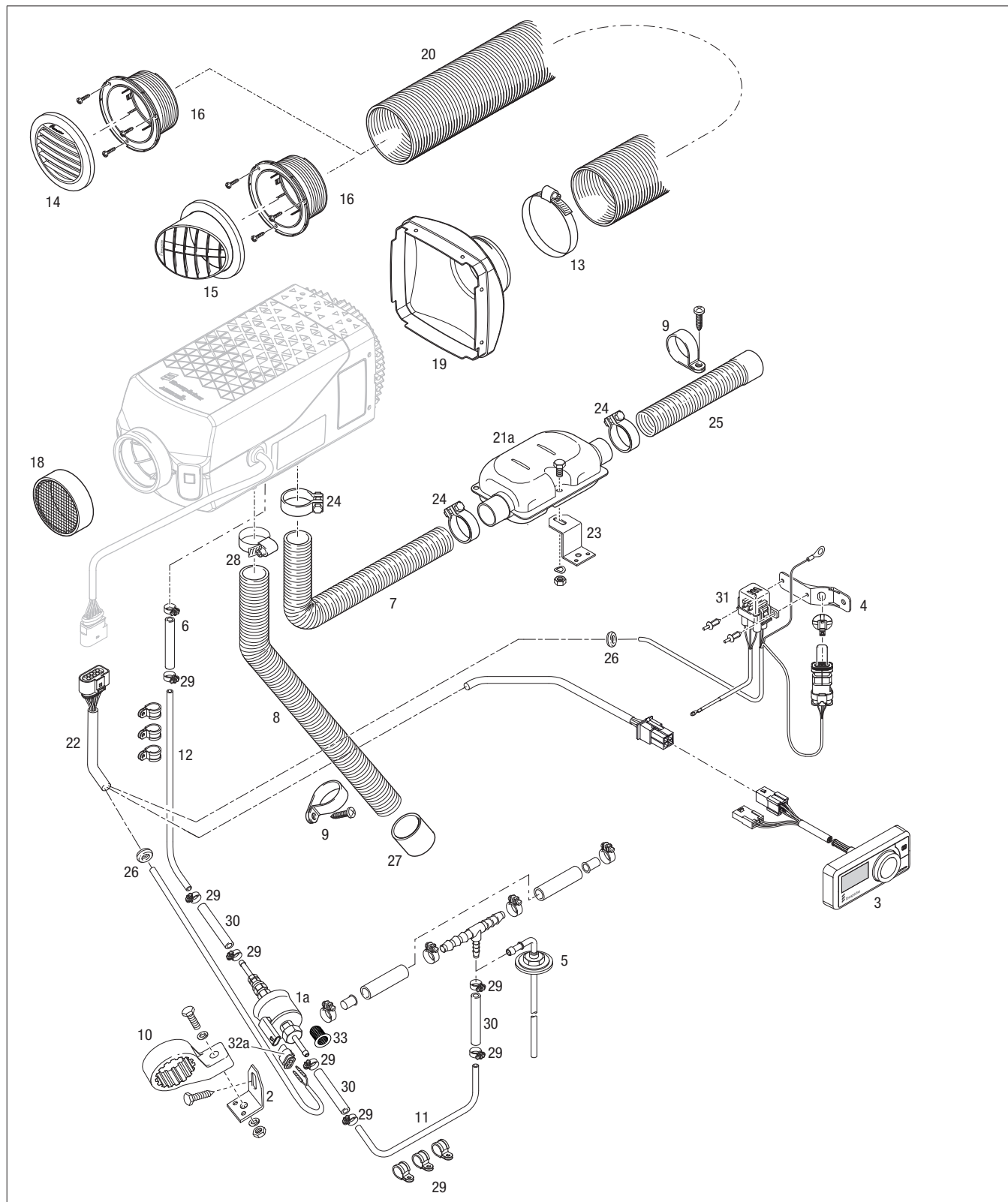
| Item No. | Quantity per unit | Quantity per SU | Designation | Order No. (SU) | For unit | | | | | | | | | | | | | | | | | | | | | | | | | |
|-------------------------------|-------------------|-----------------|---|-----------------|-----------|-----------|--------------|--------------|---------------|-----------|---------------|---------------|-----------|---------------|-----------|---------------|-----------|---------------|--------------|-----------|-----------|---------------|-----------|-----------|-----------|-----------|-----------|---|---|--|
| | | | | | D2L, 12 V | D2L, 12 V | D2L, 12 V CI | D2L, 12 V CI | D2L, 12 V VDP | D2L, 24 V | D2L, 24 V ADR | D2L, 24 V ADR | D4L, 12 V | D4L, 12 V VDP | D4L, 24 V | D4L, 24 V ADR | D4R, 12 V | D4R, 12 V VDP | D4R, 12 V CI | D4R, 24 V | D6L, 12 V | D6L, 12 V VDP | D6L, 24 V | D8L, 24 V | B2L, 12 V | B4L, 12 V | B4R, 12 V | | | |
| 1 | 1 | 1 | Heat exchanger incl. screws, and thermal separation combustion chamber | 25.2953.99.0601 | • | • | • | • | • | • | • | • | • | • | • | • | • | • | • | • | • | • | • | • | • | • | • | | | |
| | | | | 25.2955.99.0601 | | | | | | | | | | | | | | | | | | | | | | | | | | |
| | | | | 25.2959.99.0601 | | | | | | | | | | | | | | | | | | | | | | | | | | |
| | | | | 25.3020.06.0000 | | | | | | | | | | | | | | | | | | | | | | | | | | |
| 2 | 1 | 1 | Combustion chamber incl. screws, blower seal, and thermal separation combustion chamber | 20.2029.99.1000 | • | • | • | • | • | • | • | • | • | • | • | • | • | • | • | • | • | • | • | • | • | • | • | | | |
| | | | | 25.2953.99.1000 | | | | | | | | | | | | | | | | | | | | | | | | | | |
| | | | | 20.2030.99.1000 | | | | | | | | | | | | | | | | | | | | | | | | | | |
| | | | | 25.2955.99.1000 | | | | | | | | | | | | | | | | | | | | | | | | | | |
| | | | | 25.2959.99.1000 | | | | | | | | | | | | | | | | | | | | | | | | | | |
| 3 | 1 | 1 | Blower 12 V incl. screws and blower seal | 25.2953.99.1500 | • | • | • | • | • | • | • | • | • | • | • | • | • | • | • | • | • | • | • | • | • | • | • | | | |
| | | | | 25.2955.99.1500 | | | | | | | | | | | | | | | | | | | | | | | | | | |
| | | | | 25.2957.99.1500 | | | | | | | | | | | | | | | | | | | | | | | | | | |
| | | | | 25.2959.99.1500 | | | | | | | | | | | | | | | | | | | | | | | | | | |
| | | | Blower 24 V incl. screws and blower seal | 25.2954.99.1500 | | | | | | | | | | | | | | | | | | | | | | | | | | |
| | | | | 25.2956.99.1500 | | | | | | | | | | | | | | | | | | | | | | | | | | |
| | | | | 25.2958.99.1500 | | | | | | | | | | | | | | | | | | | | | | | | | | |
| | | | | 25.2960.99.1500 | | | | | | | | | | | | | | | | | | | | | | | | | | |
| 4 | 1 | 1 | Blower seal incl. blower screws, and thermal separation combustion chamber | 25.2953.99.0603 | • | • | • | • | • | • | • | • | • | • | • | • | • | • | • | • | • | • | • | • | • | • | • | | | |
| | | | | 25.2955.99.0603 | | | | | | | | | | | | | | | | | | | | | | | | | | |
| | | | | 25.2959.99.0603 | | | | | | | | | | | | | | | | | | | | | | | | | | |
| | | | Control box 12 V incl. screws | 20.2029.99.5000 | • | • | • | • | • | • | • | • | • | • | • | • | • | • | • | • | • | • | • | • | • | • | • | • | • | |
| | | | | 25.2953.99.5000 | | | | | | | | | | | | | | | | | | | | | | | | | | |
| | | | | 25.3034.99.5000 | | | | | | | | | | | | | | | | | | | | | | | | | | |
| | | | | 20.2030.99.5000 | | | | | | | | | | | | | | | | | | | | | | | | | | |
| | | | | 20.2031.99.5000 | | | | | | | | | | | | | | | | | | | | | | | | | | |
| | | | | 25.2955.99.5000 | | | | | | | | | | | | | | | | | | | | | | | | | | |
| | | | | 25.2957.99.5000 | | | | | | | | | | | | | | | | | | | | | | | | | | |
| | | | | 25.3035.99.5000 | | | | | | | | | | | | | | | | | | | | | | | | | | |
| | | | | 25.3036.99.5000 | | | | | | | | | | | | | | | | | | | | | | | | | | |
| 25.2959.99.5000 | | | | | | | | | | | | | | | | | | | | | | | | | | | | | | |
| Control box 24 V incl. screws | 25.3037.99.5000 | | | | | | | | | | | | | | | | | | | | | | | | | | | | | |
| | 25.3051.99.5000 | | | | | | | | | | | | | | | | | | | | | | | | | | | | | |
| | 25.2954.99.5000 | | | | | | | | | | | | | | | | | | | | | | | | | | | | | |
| | 25.3038.99.5000 | | | | | | | | | | | | | | | | | | | | | | | | | | | | | |
| | 25.2956.99.5000 | | | | | | | | | | | | | | | | | | | | | | | | | | | | | |
| | 25.2958.99.5000 | | | | | | | | | | | | | | | | | | | | | | | | | | | | | |
| 5 | 1 | 1 | Control box 12 V incl. screws | 25.3039.99.5000 | | | | | | | | | | | | | | | | | | | | | | | | | | |
| | | | | 25.2960.99.5000 | | | | | | | | | | | | | | | | | | | | | | | | | | |
| | | | | 25.3020.99.5000 | | | | | | | | | | | | | | | | | | | | | | | | | | |

| Item No. | Quantity per unit | Quantity per SU | Designation | Order No. (SU) | For unit | | | | | | | | | | | | | | | | | | | | | | | |
|----------|-------------------|-----------------|---|----------------------|----------|----------|-------------|-------------|--------------|----------|--------------|----------|--------------|----------|--------------|----------|--------------|-------------|----------|----------|--------------|----------|----------|----------|----------|----------|--|--|
| | | | | | D2L, 12V | D2L, 12V | D2L, 12V CI | D2L, 12V CI | D2L, 12V VDP | D2L, 24V | D2L, 24V ADR | D4L, 12V | D4L, 12V VDP | D4L, 24V | D4L, 24V ADR | D4R, 12V | D4R, 12V VDP | D4R, 12V CI | D4R, 24V | D6L, 12V | D6L, 12V VDP | D6L, 24V | D8L, 24V | B2L, 12V | B4L, 12V | B4R, 12V | | |
| 6 | 1 | 1 | Cable harness heater | 25.2953.99.0102 | • | • | • | • | • | • | • | • | • | • | • | • | • | • | • | • | • | • | • | • | • | | | |
| | | | | 25.2959.99.0102 | | | | | | | | | | | | | | | | | | | | | | | | |
| 7 | 1 | 1 | Jacket shell, top | 25.2953.01.0101 | • | • | • | • | • | • | • | | | | | | | | | | | | | | | | | |
| | | | | 25.2955.01.0101 | | | | | | | | | | | | | | | | | | | | | | | | |
| | | | | 25.2959.01.0101 | | | | | | | | | | | | | | | | | | | | | | | | |
| 8 | 1 | 1 | Grommet, cable outlet | 25.2069.00.0001 | • | • | • | • | • | • | • | • | • | • | • | • | • | • | • | • | • | • | • | • | • | | | |
| 9 | 1 | 1 | Jacket shell, bottom | 25.2953.01.0102 | • | • | • | • | • | • | • | | | | | | | | | | | | | | | | | |
| | | | | 25.2955.01.0102 | | | | | | | | | | | | | | | | | | | | | | | | |
| | | | | 25.2959.01.0102 | | | | | | | | | | | | | | | | | | | | | | | | |
| 10 | 1 | 1 | Seal, flange | 25.2953.01.0003 | • | • | • | • | • | • | • | • | • | • | • | • | • | • | • | • | • | • | • | • | • | • | | |
| | | | | 25.2959.01.0003 | | | | | | | | | | | | | | | | | | | | | | | | |
| | | | | 25.3020.01.0003 | | | | | | | | | | | | | | | | | | | | | | | | |
| 11 | 1 | 1 | Combination sensor (incl. air inlet sensor and installation tool) | 25.2953.99.4000 | • | • | • | • | • | • | • | • | • | • | • | • | • | • | • | • | • | • | • | • | • | | | |
| | | | | 25.2959.99.4000 | | | | | | | | | | | | | | | | | | | | | | | | |
| 12 | 1 | 1 V | Glow plug with grommet | 12 V 20.2029.99.0104 | • | • | • | • | • | • | • | • | • | • | • | • | • | • | • | • | • | • | • | • | • | | | |
| | | | | 24 V 25.2954.99.0104 | | | | | | | | | | | | | | | | | | | | | | | | |
| 13 | 1 | 1 | Heat exchanger base, flange plate incl. screws | 25.2959.99.0104 | | | | | | | | | | | | | | | | | | | | | | | | |
| | | | | 25.3020.01.0004 | | | | | | | | | | | | | | | | | | | | | | | | |

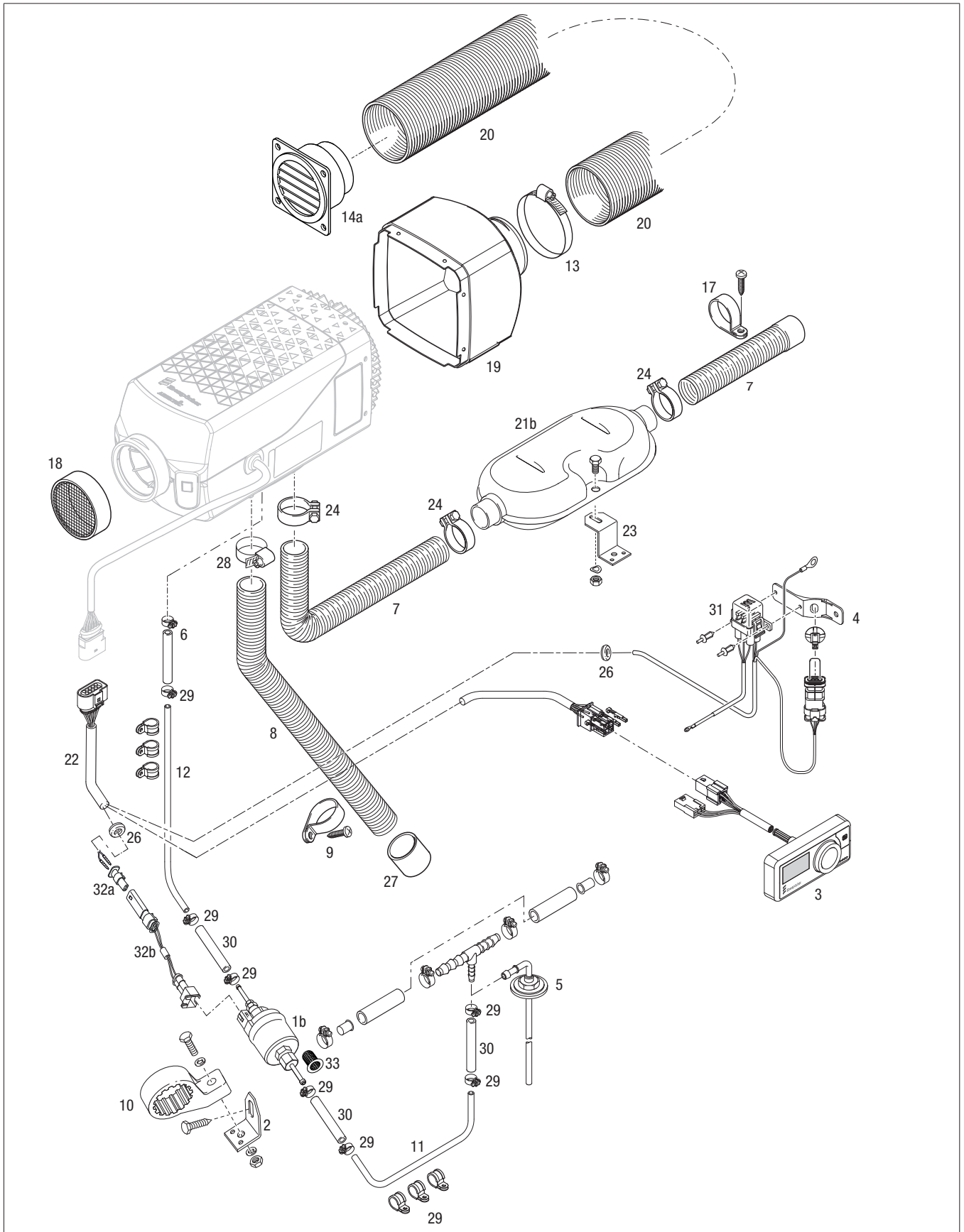
3 Electrics, fuel, hot air and combustion air system

3.1 Spare parts diagram

3.1.1 Airtronic S3/M3/L3



3.1.2 Airtronic XL3



3.2 Spare parts list

| Item No. | Quantity per unit | Quantity per SU | Designation | Order No. (SU) | For unit | | | | | | | | | | | | | | | | | | | | |
|----------|-------------------|-----------------|--|-----------------|-----------|-----------|--------------|--------------|---------------|-----------|---------------|-----------|---------------|-----------|---------------|-----------|---------------|-----------|---------------|-----------|---------------|-----------|-----------|-----------|-----------|
| | | | | | D2L, 12 V | D2L, 12 V | D2L, 12 V CI | D2L, 12 V CI | D2L, 12 V VDP | D2L, 24 V | D2L, 24 V ADR | D4L, 12 V | D4L, 12 V VDP | D4L, 24 V | D4L, 24 V ADR | D4R, 12 V | D4R, 12 V VDP | D4R, 24 V | D4R, 24 V ADR | D6L, 12 V | D6L, 12 V VDP | D6L, 24 V | D8L, 24 V | B2L, 12 V | B4L, 12 V |
| 1a | 1 | 1 | Fuel metering pump, 12 V | 22.4552.03.0000 | • | • | • | • | | | | | • | | | | | | | | | | | | |
| | | | | 22.4555.01.0000 | | | | | • | | | | | | | | | | | | | | | | |
| | | | | 22.4550.05.0000 | | | | | | | | | | | | | | • | | | | | | | |
| | | | | 22.4554.01.0000 | | | | | | | | | | | | | | | • | | | | | | |
| 1b | | | Fuel metering pump, 24 V | 22.4553.01.0000 | | | | | | • | • | | | • | • | | | | | | | | | | |
| | | | | 22.4551.01.0000 | | | | | | | | | | | | | | | | | • | | | | |
| | | | | 22.4618.01.0000 | | | | | | | | | | | | | | | | | | • | | | |
| 2 | 1 | 1 | L-bracket, fuel metering pump | 20.1348.03.0004 | • | • | • | • | • | • | • | • | • | • | • | • | • | • | • | • | • | • | • | • | • |
| 3 | 1 | 1 | Control unit EasyStart Pro (optional) | 22.1000.35.2200 | • | • | • | • | • | • | • | • | • | • | • | • | • | • | • | • | • | • | • | • | • |
| 4 | 1 | 1 | Bracket diagnostic connector, combi-clip | 22.1000.51.4900 | • | • | • | • | • | • | • | • | • | • | • | • | • | • | • | • | • | • | • | • | • |
| 5 | 1 | 1 | Fuel remover | 25.1226.89.5000 | • | • | • | • | • | • | • | • | • | • | • | • | • | • | • | • | • | • | • | • | • |
| 6 | 1 | 1 | Hose connection kit, fuel line | 22.9000.20.0457 | • | • | • | • | • | • | • | • | • | • | • | • | • | • | • | • | • | • | • | • | • |
| 7 | 1 | 1 | Exhaust pipe, flexible di = 24 mm, L = 900 mm | 360.61.274 | • | • | • | • | • | • | • | • | • | • | • | • | • | • | • | • | • | • | • | • | • |
| | | | Exhaust pipe, flexible di = 30 mm | 22.1000.40.7200 | | | | | | | | | | | | | | | | | • | | | | |
| 8 | 1 | 1 | Flexible pipe, Ø 25 mm | 360.00.006 | • | • | • | • | • | • | • | • | • | • | • | • | • | • | • | • | • | • | • | • | • |
| 9 | 1 | 20 | Pipe clip | 152.09.010 | • | • | • | • | • | • | • | • | • | • | • | • | • | • | • | • | • | • | • | • | • |
| 10 | 1 | 1 | Bracket fuel metering pump | 22.1000.50.0300 | • | • | • | • | • | • | • | • | • | • | • | • | • | • | • | • | • | | • | • | • |
| | | | | 22.1000.50.0700 | | | | | | | | | | | | | | | | | | • | | | |
| 11 | 1 | 8 m | Fuel pipe, intake line 4 x 1 mm | 890.31.054 | • | • | • | • | • | • | • | • | • | • | • | • | • | • | • | • | • | • | • | • | • |
| 12 | 1 | 8 m | Fuel pipe, discharge line 4 x 1 mm | 890.31.054 | • | • | • | • | • | • | • | • | • | • | • | • | • | • | • | • | • | • | • | • | • |
| | | | 4 x 1.25 mm | 890.31.123 | | | | | | | | | | | | | | | | | | • | | | |
| 13 | 1 | 1 | Hose clip 50 – 70 mm | 10.2067.05.0070 | • | • | • | • | • | • | • | • | • | • | • | • | • | • | • | • | • | • | • | • | • |
| | | | 70 – 90 mm | 10.2067.07.0090 | • | • | • | • | • | • | • | • | • | • | • | • | • | • | • | • | • | • | • | • | • |
| 14 | 1 | 1 | Air outlet, straight, rotatable Ø 60 mm | 22.1000.01.0044 | | | | | | • | • | • | • | | | | | | | • | • | | • | • | |
| | | | Ø 75 mm, Ø 90 mm | 22.1000.01.0052 | • | • | • | • | • | | | | • | • | • | • | • | • | • | • | • | • | • | • | |
| 14a | | | Ø 100 mm | 22.1000.01.0700 | | | | | | | | | | | | | | | | | • | | | | |
| 15 | 1 | 1 | Air outlet, angled, rotatable Ø 60 mm | 22.1000.01.0056 | | | | | | • | • | • | • | | | | | | | • | • | | • | • | |
| | | | Ø 75 mm, Ø 90 mm | 22.1000.01.0060 | • | • | • | • | • | | | | • | • | • | • | • | • | • | • | • | • | • | • | |

| Item No. | Quantity per unit | Quantity per SU | Designation | Order No. (SU) | For unit | | | | | | | | | | | | | | | | | | | | | | |
|----------|-------------------|-----------------|--|-----------------|----------|----------|-------------|-------------|--------------|----------|--------------|----------|--------------|----------|--------------|----------|--------------|-------------|----------|----------|--------------|----------|----------|----------|----------|----------|---|
| | | | | | D2L, 12V | D2L, 12V | D2L, 12V CI | D2L, 12V CI | D2L, 12V VDP | D2L, 24V | D2L, 24V ADR | D4L, 12V | D4L, 12V VDP | D4L, 24V | D4L, 24V ADR | D4R, 12V | D4R, 12V VDP | D4R, 12V CI | D4R, 24V | D6L, 12V | D6L, 12V VDP | D6L, 24V | D8L, 24V | B2L, 12V | B4L, 12V | B4R, 12V | |
| 16 | 1 | 1 | Connection socket Ø 60 mm | 22.1000.01.0035 | | | | | | | | | | | | | | | | | | | | | | | |
| | | | Ø 90 mm | 22.1000.01.0037 | • | • | • | • | • | | | | | | | | | | | | | | | | | | |
| | | | Ø 75 mm | 22.1000.01.0036 | • | • | • | • | • | • | • | • | • | • | • | • | • | • | • | • | • | • | • | • | • | • | • |
| 17 | 1 | 10 | Pipe clip | 152.10.069 | | | | | | | | | | | | | | | | | | | | | | | |
| 18 | 1 | 1 | Grille Ø 60 mm | 25.1688.80.0600 | • | • | • | • | • | • | | | | | | | | | | | | | | | | | |
| | | | Ø 75 mm | 25.1552.05.0100 | | | | | | | | | | | | | | | | | | | | | | | |
| | | | Ø 90 mm | 25.1729.80.0001 | | | | | | | | | | | | | | | | | | | | | | | |
| 19 | 1 | 1 | Hood Ø 60 mm | 22.1000.01.0016 | • | • | • | • | • | • | | | | | | | | | | | | | | | | | |
| | | | Ø 90 mm | 22.1000.01.0019 | | | | | | | | | | | | | | | | | | | | | | | |
| | | | Ø 75 mm | 22.1000.01.0017 | • | • | • | • | • | • | | | | | | | | | | | | | | | | | |
| | | | Ø 75 mm | 22.1000.01.0018 | | | | | | | | | | | | | | | | | | | | | | | |
| | | | Ø 90 mm | 22.1000.01.0086 | | | | | | | | | | | | | | | | | | | | | | | |
| | | | Ø 100 mm | 22.1000.01.0087 | | | | | | | | | | | | | | | | | | | | | | | |
| 20 | 1 | 1 | Flexible pipe Ø 60 mm | 10.2114.31.0000 | • | • | • | • | • | • | | | | | | | | | | | | | | | | | |
| | | | Ø 90 mm | 10.2114.37.0000 | | | | | | | | | | | | | | | | | | | | | | | |
| | | | Ø 75 mm | 10.2114.34.0000 | • | • | • | • | • | • | • | • | • | • | • | • | • | • | • | • | • | • | • | • | • | • | |
| | | | Ø 100 mm | 10.2114.38.0000 | | | | | | | | | | | | | | | | | | | | | | | |
| 21a | 1 | 1 | Exhaust silencer | 25.1864.81.0100 | • | • | • | • | • | • | • | • | • | • | • | • | • | • | • | • | • | • | • | • | | | |
| 21b | | 25.1806.80.0100 | | | | | | | | | | | | | | | | | | | | | | | | | |
| 22 | 1 | 1 | Cable harness heater | 25.2720.80.1100 | • | • | • | • | • | • | • | • | • | • | • | • | • | • | • | • | • | • | • | • | | | |
| 23 | 1 | 1 | Bracket exhaust silencer, Z shape | 20.1533.88.0007 | • | • | • | • | • | • | • | • | • | • | • | • | • | • | • | • | • | • | • | • | | | |
| | | | Bracket exhaust silencer, L shape | 20.1348.03.0004 | • | • | • | • | • | • | • | • | • | • | • | • | • | • | • | • | • | • | • | • | • | • | |
| 24 | 3 | 10 | Pipe clip exhaust | 22.1000.51.4400 | • | • | • | • | • | • | • | • | • | • | • | • | • | • | • | • | • | • | • | • | | | |
| | | | | 22.1000.51.4500 | | | | | | | | | | | | | | | | | | | | | | | |
| 25 | 1 | 1 | Exhaust pipe with end sleeve, flexible | | | | | | | | | | | | | | | | | | | | | | | | |
| | | | di = 24 mm, L = 300 mm | 20.1731.80.0400 | • | • | • | • | • | • | • | • | • | • | • | • | • | • | • | • | • | • | • | • | • | | |
| | | | di = 30 mm, L = 1300 mm | 22.1000.40.6500 | | | | | | | | | | | | | | | | | | | | | | | |
| 26 | 2 | 100 | Grommet | 20.1280.09.0103 | • | • | • | • | • | • | • | • | • | • | • | • | • | • | • | • | • | • | • | | | | |
| 27 | 1 | 1 | End sleeve, combustion air | 25.1729.89.0002 | • | • | • | • | • | • | • | • | • | • | • | • | • | • | • | • | • | • | • | • | | | |
| 28 | 1 | 10 | Hose clip Ø 20 – 32 mm | 10.2067.02.0032 | • | • | • | • | • | • | • | • | • | • | • | • | • | • | • | • | • | • | • | • | | | |
| 29 | 8 | 100 | Hose clip Ø 9 mm | 10.2068.00.9098 | • | • | • | • | • | • | • | • | • | • | • | • | • | • | • | • | • | • | • | • | | | |
| 30 | 1 | 1 | Hose di = 3.5 / 3 mm | 360.75.300 | • | • | • | • | • | • | • | • | • | • | • | • | • | • | • | • | • | • | • | • | | | |
| 31 | 1 | 1 | Fuse holder, complete set | 22.1000.31.0600 | • | • | • | • | • | • | • | • | • | • | • | • | • | • | • | • | • | • | • | • | | | |
| 32a | 1 | 1 | Connection housing kit, metering pump | 22.9000.30.0411 | • | • | • | • | • | • | • | • | • | • | • | • | • | • | • | • | • | • | • | • | | | |
| 32b | | | Adapter cable, metering pump | 22.9000.30.0417 | | | | | | | | | | | | | | | | | | | | | | | |
| 33 | 1 | 1 | Pot-type strainer, metering pump | 20.1312.00.0006 | • | • | • | • | • | • | • | • | • | • | • | • | • | • | • | • | • | • | • | • | | | |

Eberspächer Climate Control
Systems International GmbH
Eberspächerstraße 24
73730 Esslingen
Germany
info@eberspaecher.com
www.eberspaecher.com

