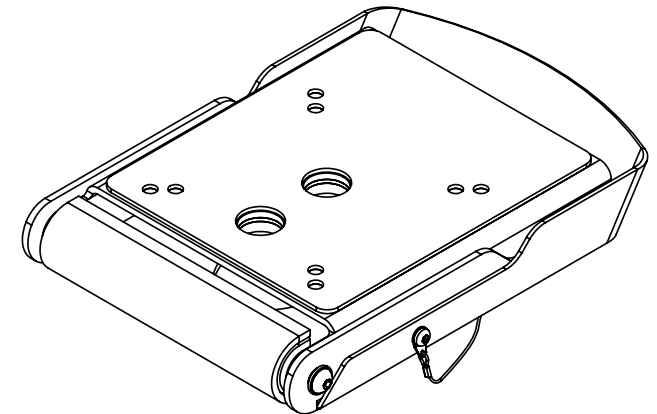
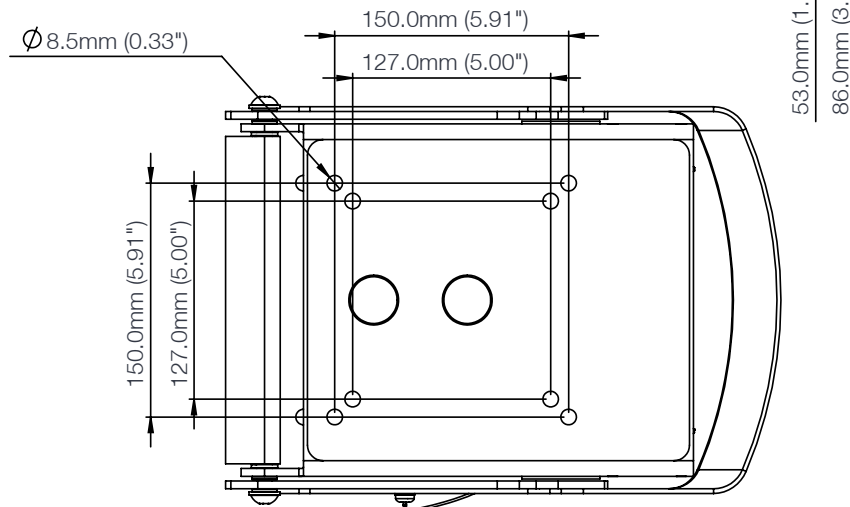
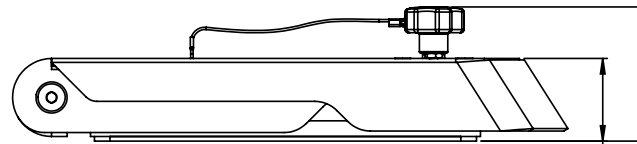
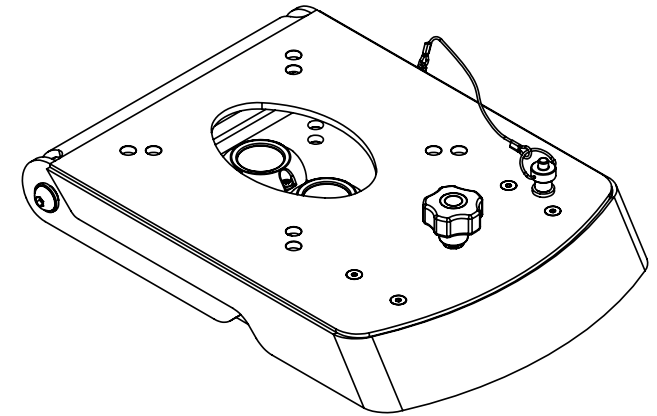
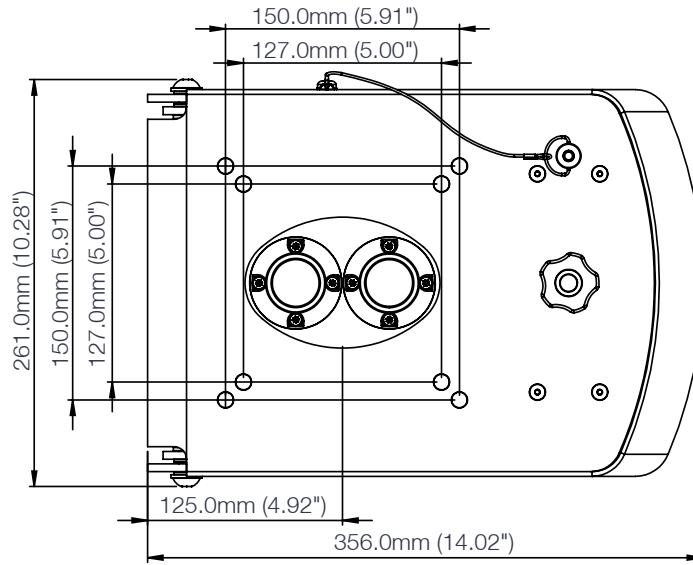


HS-02 - Manual PowerTower® Hinge System

For help & information
email: sales@scanstrut.com
tel: +44 (0) 1392531280

127mm Hole Spacing for
Aluminium & Stainless
Steel Power Towers

150mm Hole Spacing for
Composite Power Towers

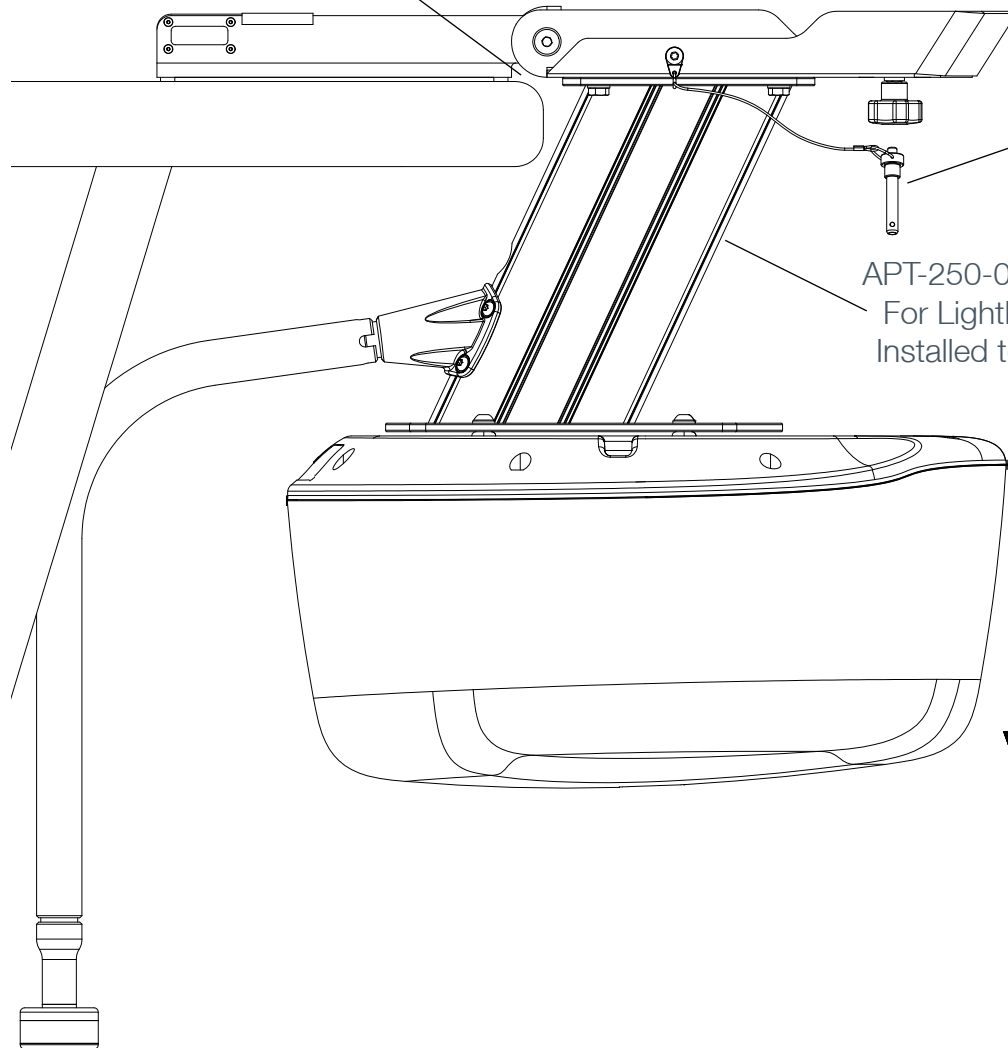


SCANSTRUT

HS-02 - Manual PowerTower® Hinge System

For help & information
email: sales@scanstrut.com
tel: +44 (0) 1392531280

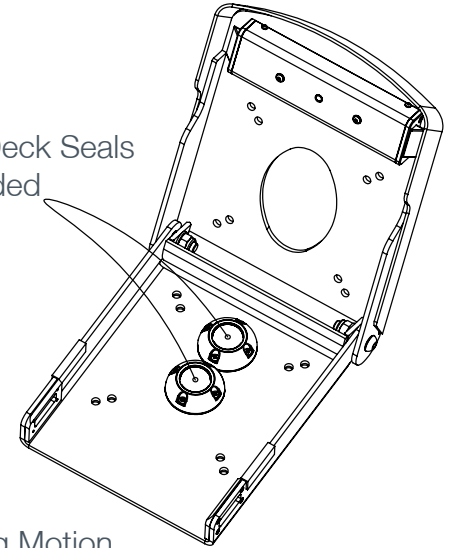
≤25mm Gap Between Hinge System
& Mounting Surface Edge Required



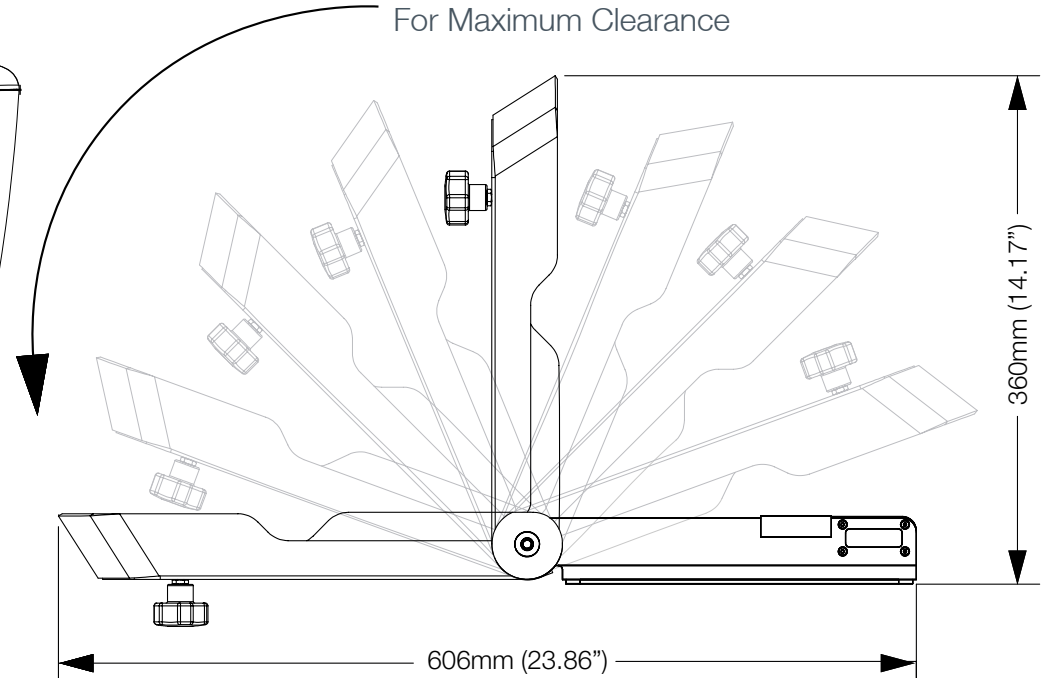
Quick-Release
Safety Pin
Prevents Misuse

APT-250-01 Recommended
For Lightbar Use & When
Installed to Thick Surfaces

2 x DS-30 Deck Seals
Included



Full 180° Hinging Motion
For Maximum Clearance



SCANSTRUT