

1 2 3 4 5 6 7 8

A

A

B

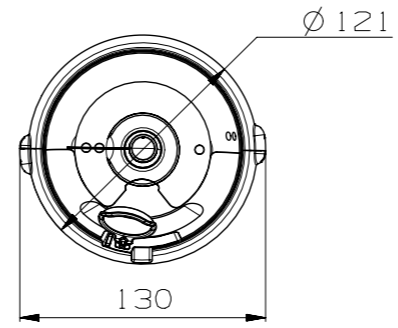
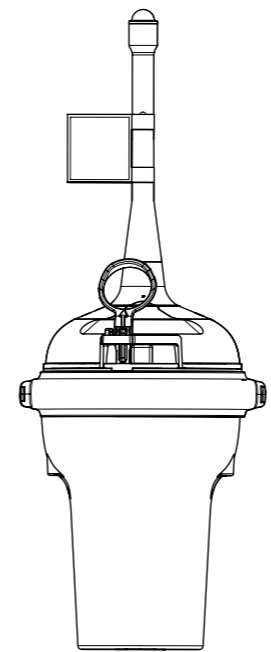
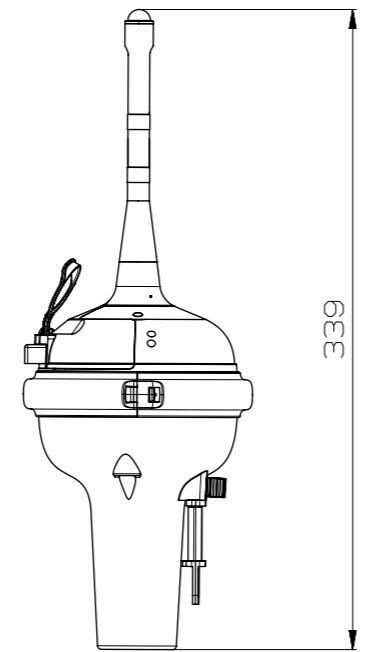
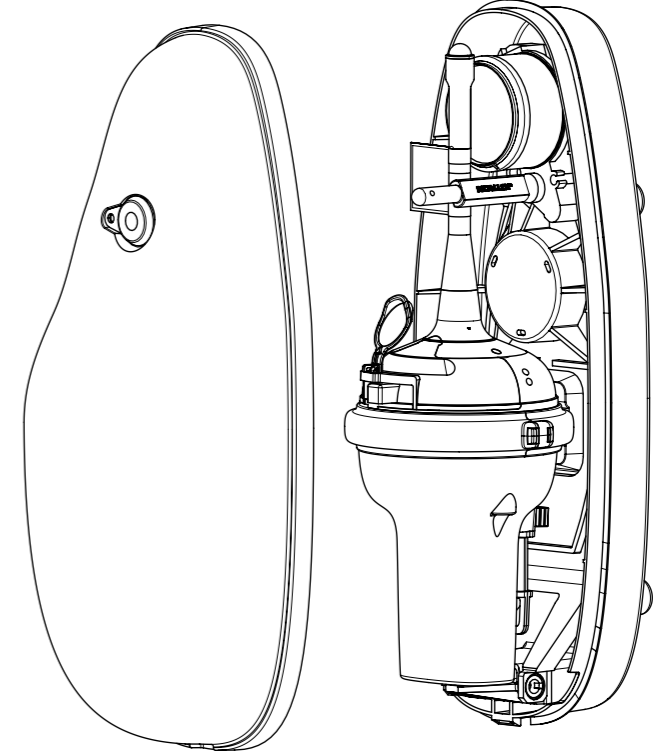
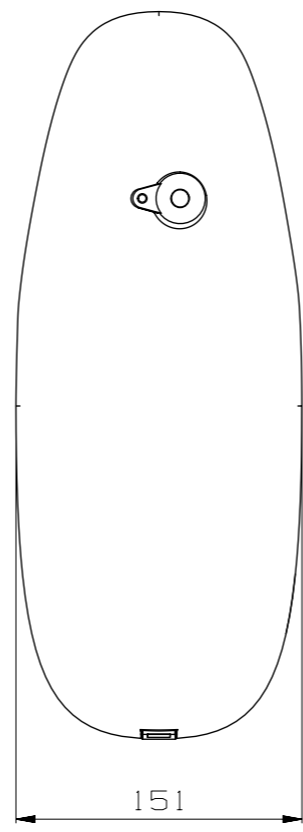
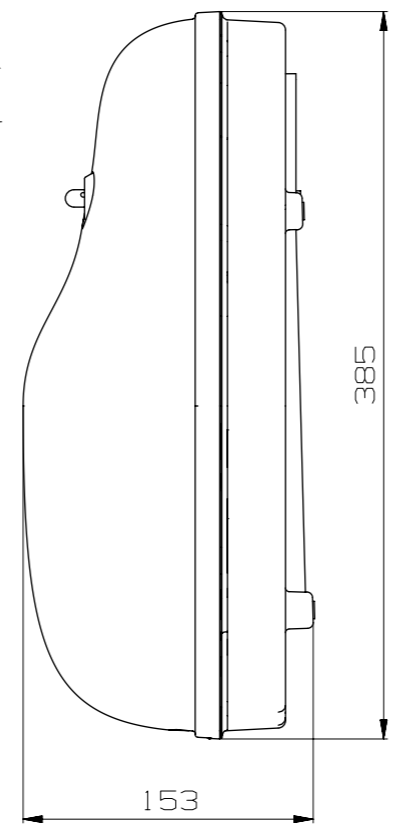
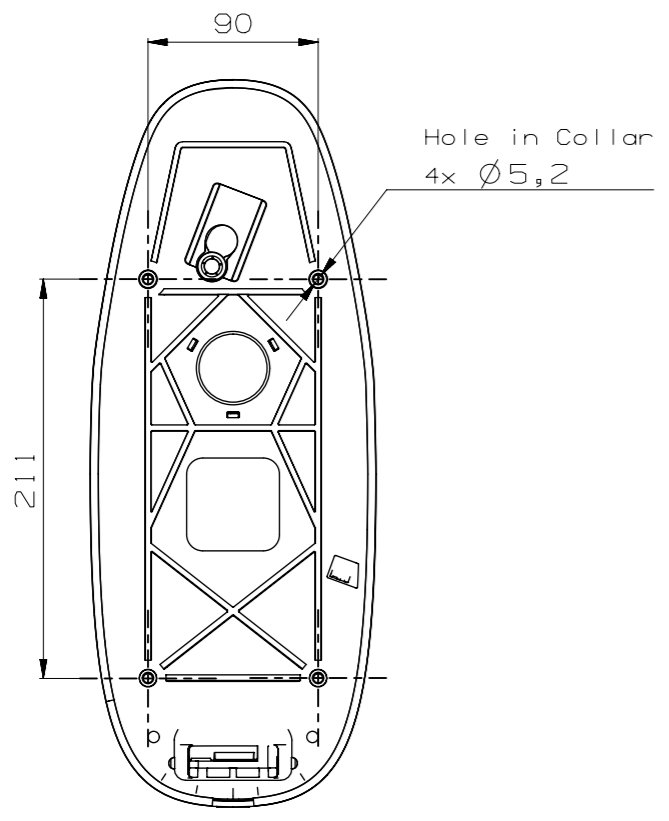
B

C

C

D

D



Rev	CO	Sign	Date	Description / Change
-	-	MK	16.11.2021	First version
Revision History				

Material/Mass:		This drawing is property of Jotron AS and must not be duplicated or used for manufacturing of any parts disclosed herein without permission from Jotron AS.		
General tolerance		Roughness Ra:		
Part Name:		 <b>Performance for Life</b>		
<b>Tron 60AIS W/ Float Free Bracket</b>				
Description:		Size:	Scale:	Sheet:
General Arrangement Drawing		A3	1:2	1/1
		Part No:	Rev:	
		<b>103170</b>	<b>R04</b>	

1 2 3 4 5 6 7 8