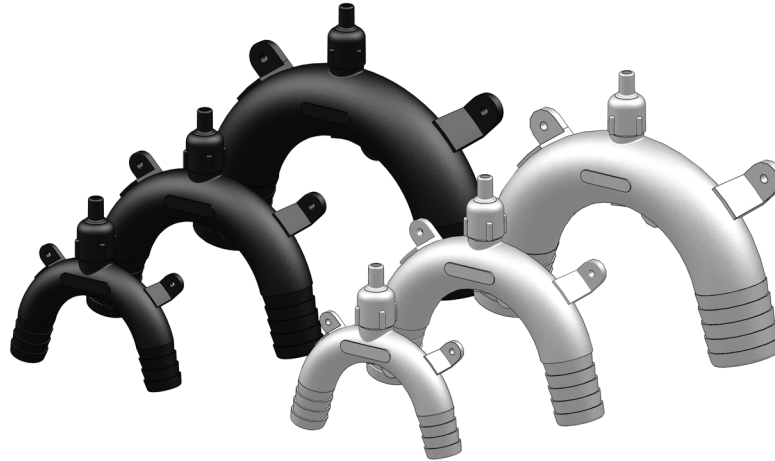


## VENTED LOOPS

Designed and made in New Zealand, Tru-Design Vented Loops are the superior composite siphon break solutions for marine applications. Vented Loops prevent water siphoning from underwater skin fittings back into a vessel and thereby guard against accidental flooding and sinking.



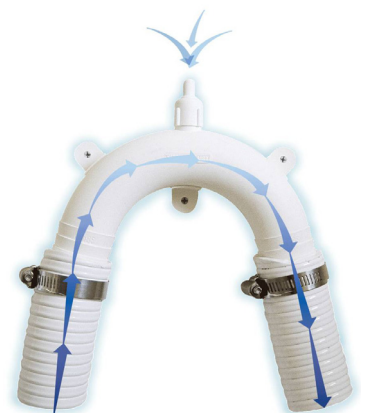
Vented loops are used predominantly in toilet to overboard applications, toilet inlet applications and holding tank to overboard applications. They can also be used in genset or small engine inlet cooling water systems.

The simple one way breather valve at the top of the vented loop allows air to enter the line when not in use, thereby preventing siphoning - and yet seals when water or waste passes through the loop. The duckbill one way valve is designed to seal even when particles are present in the fluid.

Vented Loops are moulded from a glass reinforced nylon composite. High strength, high-modulus glass fibres impregnated into the nylon provides dramatic strength, stiffness, toughness, and dimensional stability to our loops.

## MODELS

| Part # | Description            |
|--------|------------------------|
| 90319  | Vented Loop 19mm White |
| 90321  | Vented Loop 25mm White |
| 90323  | Vented Loop 38mm White |
| 90318  | Vented Loop 19mm Black |
| 90320  | Vented Loop 25mm Black |
| 90322  | Vented Loop 38mm Black |



## KEY FEATURES

| Feature :  |  |
|--|--|
| Manufactured from a glass reinforced nylon composite | High strength and light weight.  |
| Silicone duck bill valve                             | Long life with no perishing or hardening.  |
| Constant internal diameter                           | No reduction in flow   |
| Self-contained mounting                              | 3 screw mounting posts give secure and easy installation.                            |
| Chemical resistant                                   | Impervious to diesel, petrol and antifouling paints.                                 |
| UV resistant   | These fittings will not break down with ultraviolet light or discolour from the sun. |
| High quality surface finish                          | Will not discolour with green film as similar bronze fittings do.                    |
| Large operating temperature range                    | Suitable for all marine environments, from -40°C to +110°C.                          |

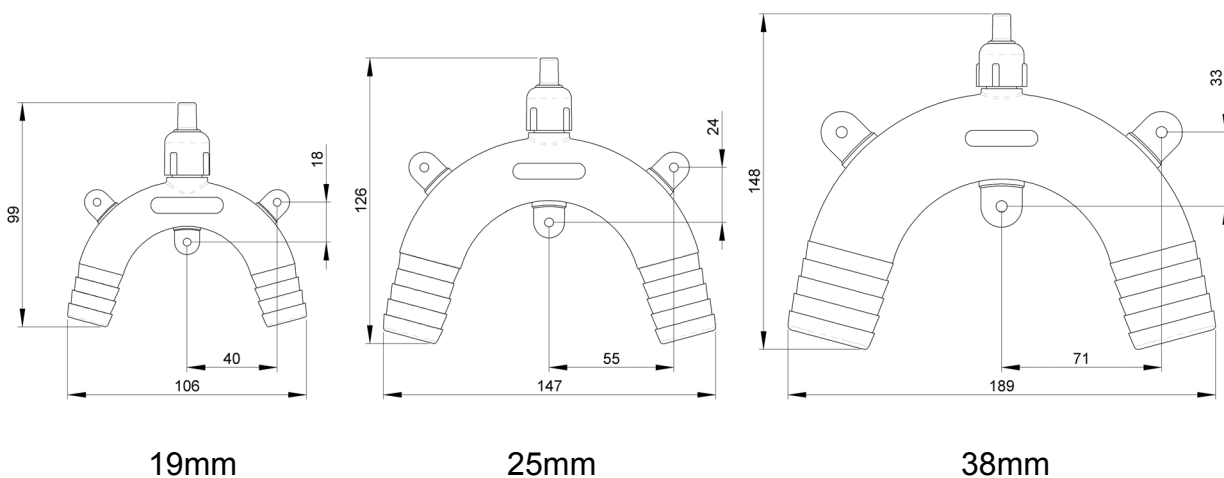
## SPECIFICATIONS

When a Vented Loop is used on the suction side of a pump, the water flow can be reduced by 25% due to air admission. It is recommended that this type of installation be only used for electric pump type toilets as the higher flow from the electric pump is less affected by this reduction.

On the outlet of a pump, there is no reduction in flow as the valve closes fully.

## DIMENSIONS

All dimensions in mm.  
All dimensions nominal.



## INSTALLATION

Full installation instructions are supplied with the Vented Loop.

It is recommended that all Vented Loops are placed in a protected location to minimize the chance of inadvertent damage.

The Vented Loop should be mounted a minimum of 250mm (1') above the heeled water line. If mounted below the waterline, the vented loop will not leak, but will not provide any protection.

The vented loop should be screwed to a bulkhead or other robust structure using the integral feet.

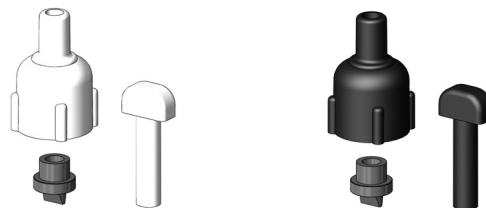
Dual hose clamps should be fitted to ensure the hose does not become disengaged from the Vented Loop.

## SERVICING

Hose clamps should be checked for secure connection of the hoses to the Vented Loop.

Regular checks of the functioning of the duck bill valve should be conducted. Unscrew the cap and remove the valve. Inspect the valve for damage. Check the port in the top of the vented loop for blockages and clear if required. Gently squeezing the sides of the valve should open a hole in the valve.

If the valve is damaged, a service kit is available. The service kit contains a spare valve, cap and a pin for clearing the port in the top of the vented loop.



| Part # | Description                   |
|--------|-------------------------------|
| 90325  | Spare Parts Vented Loop White |
| 90324  | Spare Parts Vented Loop Black |

Tru-Design Plastics Ltd. accepts no responsibility for Products which are improperly installed or tampered with. Although the information presented in this product information sheet is believed to be accurate and reliable, no responsibility for inaccuracies can be assumed by Tru-Design Plastics Ltd. This performance data is typical only and variations due to component manufacturing tolerances are normal. Tru-Design Plastics Ltd. reserves the right at any time to change performance characteristics or specifications without prior notice.  
Tru-Design Plastics Ltd, all rights reserved.