

LEWMAR®

68000967

3 BUTTON WIRELESS CONTROL

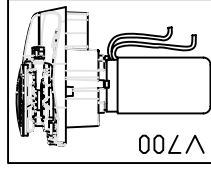
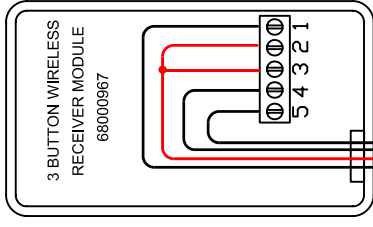
68000968

5 BUTTON WIRELESS CONTROL

RECOMMENDED WIRING DIAGRAMS FOR LEWMAR PRODUCTS:

- V700, Pro-Series, Pro-Fish, Pro-Sport with Sealed Contactor
- V700, Pro-Series, Pro-Fish, Pro-Sport with Pre-wired Contactor in box
- V1, V2, V3 & V5 with Sealed Contactor
- V1, V2, V3 & V5 with Contactor in Box
- V4 with Sealed Contactor
- V4 with Contactor in Box
- H2 & H3
- 140TT2.0kW Electric Thruster (5 Button Only)
- 140TT2.2kW, All 185TT, 250TT & 300TT Electric Thrusters (5 Button Only)

CIRCUIT BREAKER

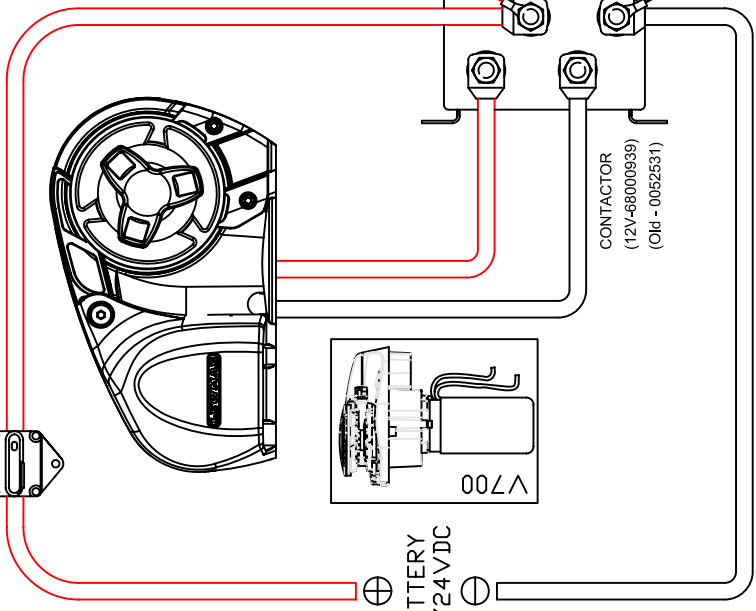
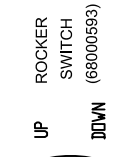
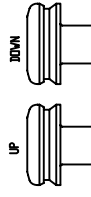


BATTERY
12/24VDC



CONTACTOR
(12V-68000939)
(Old - 0052531)

ELECTRIC SWITCHES



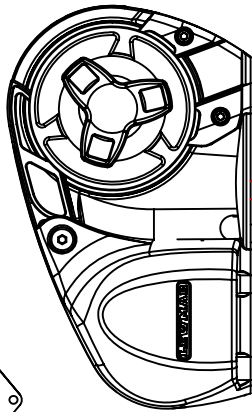
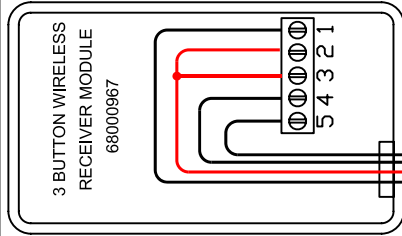
Permanent Magnet Dual Direction Contactor - 68000939 (0052531 - Old)

Wiring Diagram 12VDC

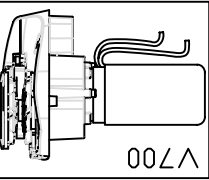
Used on: Pro-Sport, Pro-Series/Fish 700 & 1000, V700, Concept 0, Sprint 600 & 1000, Horizon 600F & 900F

L E W M A R

CIRCUIT BREAKER

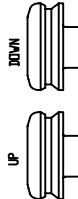


FUSE 3A

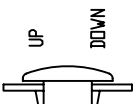


BATTERY
12/24VDC

ELECTRIC SWITCHES

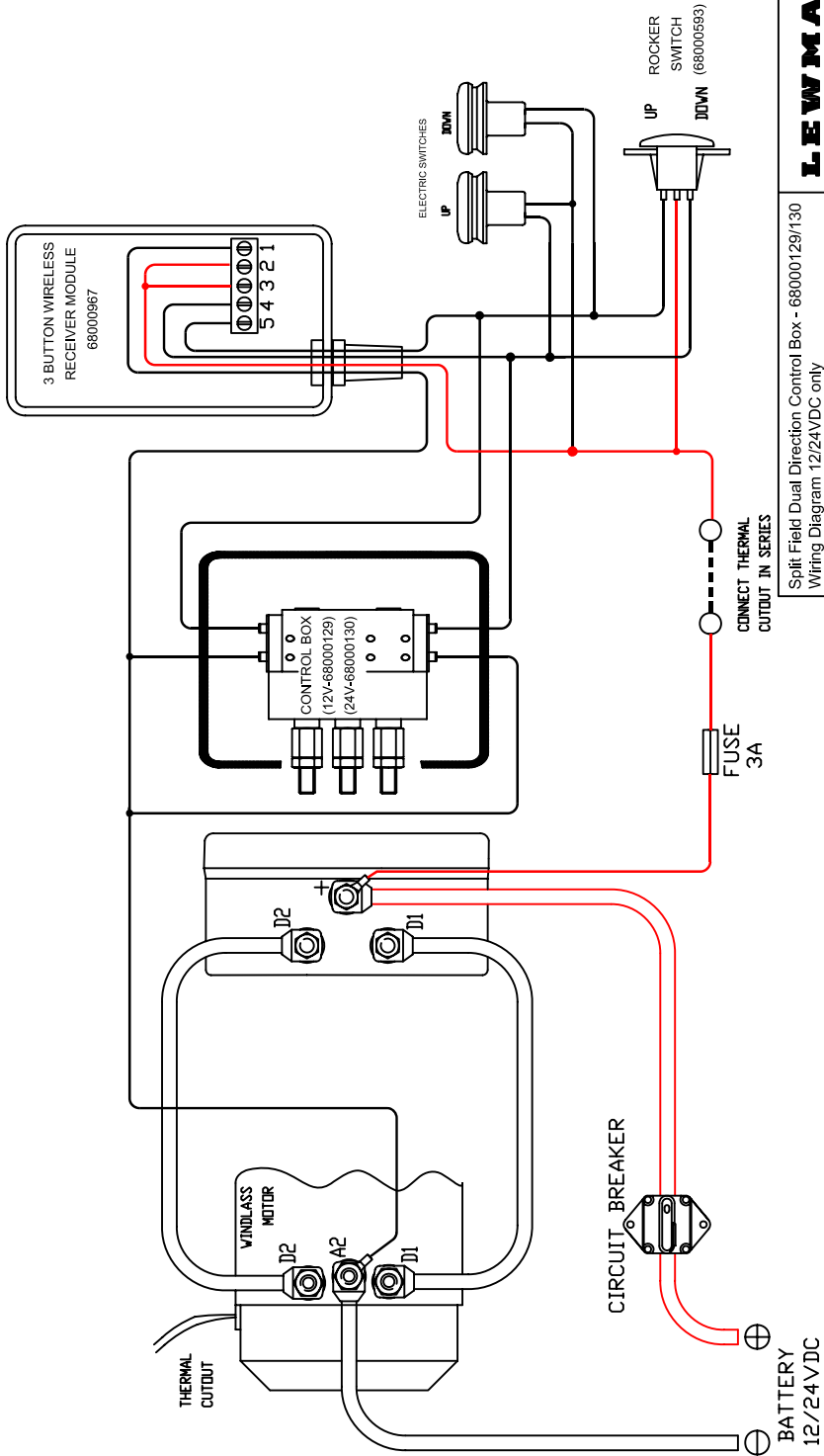


ROCKER SWITCH
(68000593)



Permanent Magnet Dual Direction Control Box - 0052509/10
Wiring Diagram 12/24VDC
Used on: Pro-Sport, Pro-Series/Fish 700 & 1000, V700, Concept 0, Sprint 600 & 1000, Horizon 600F & 900F

LEWMAR

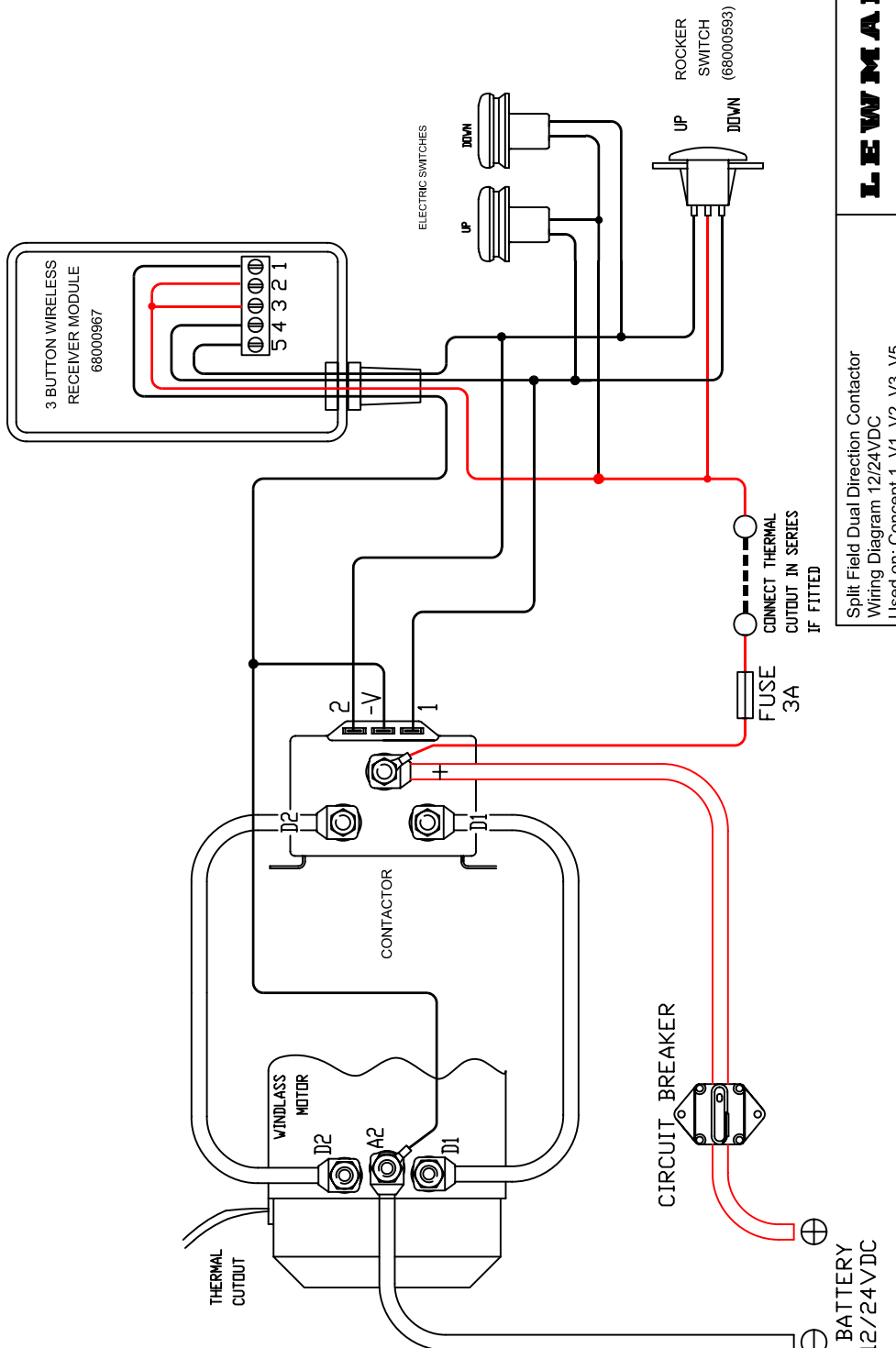


Split Field Dual Direction Control Box - 68000129/130

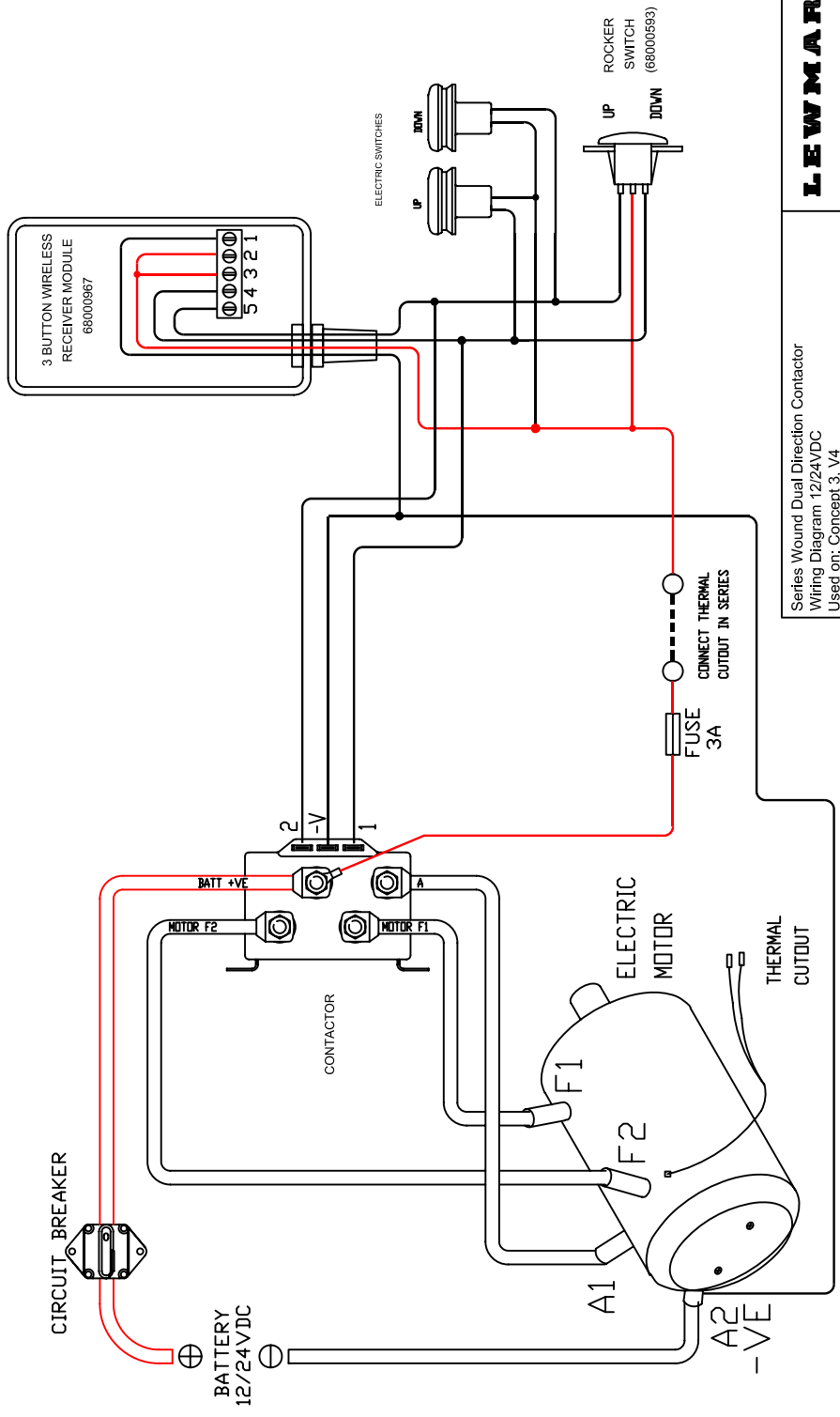
Wiring Diagram 12/24VDC only

Used on: Concept 1, V1, V2, V3, V5

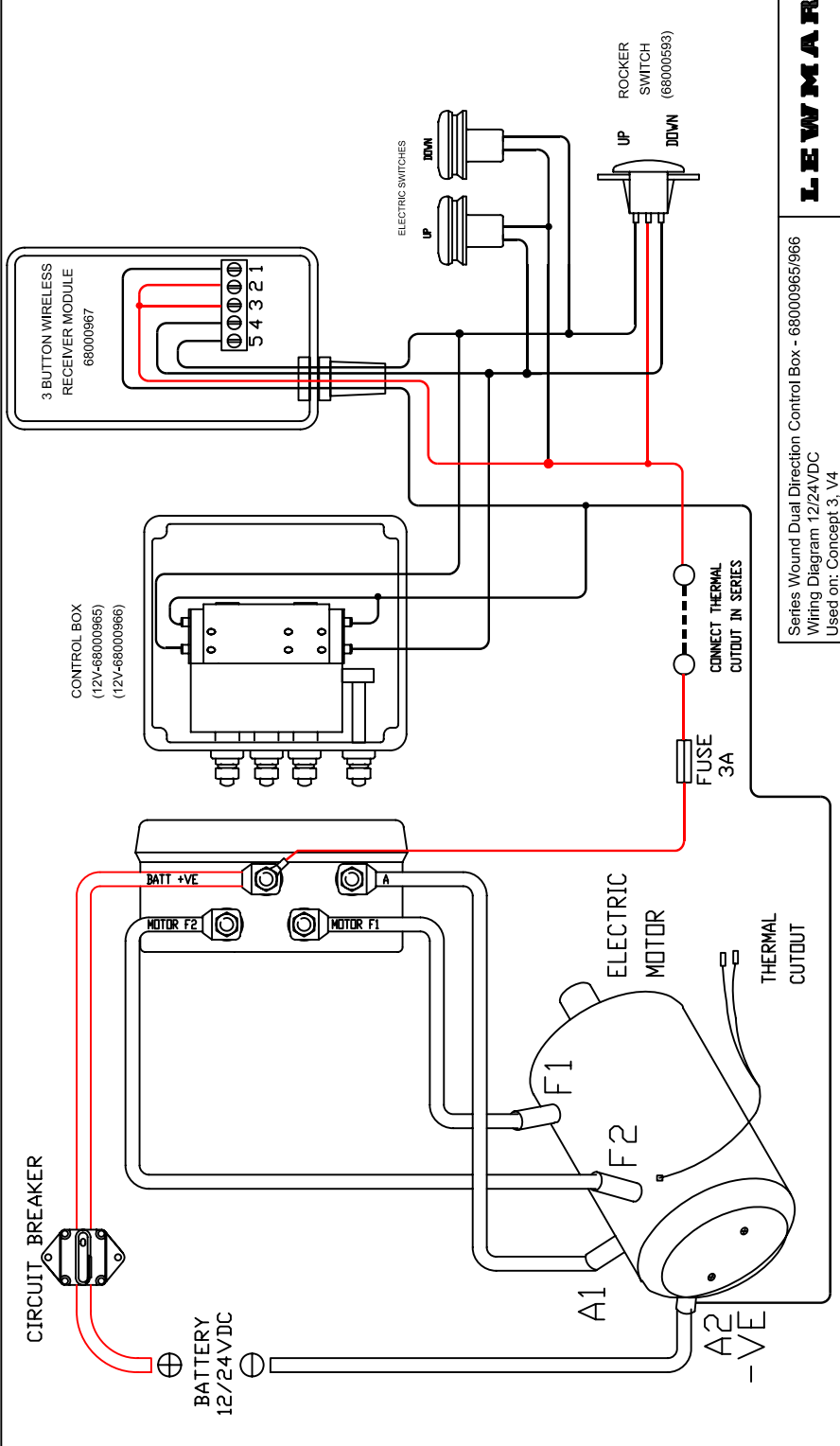
LEWMAR

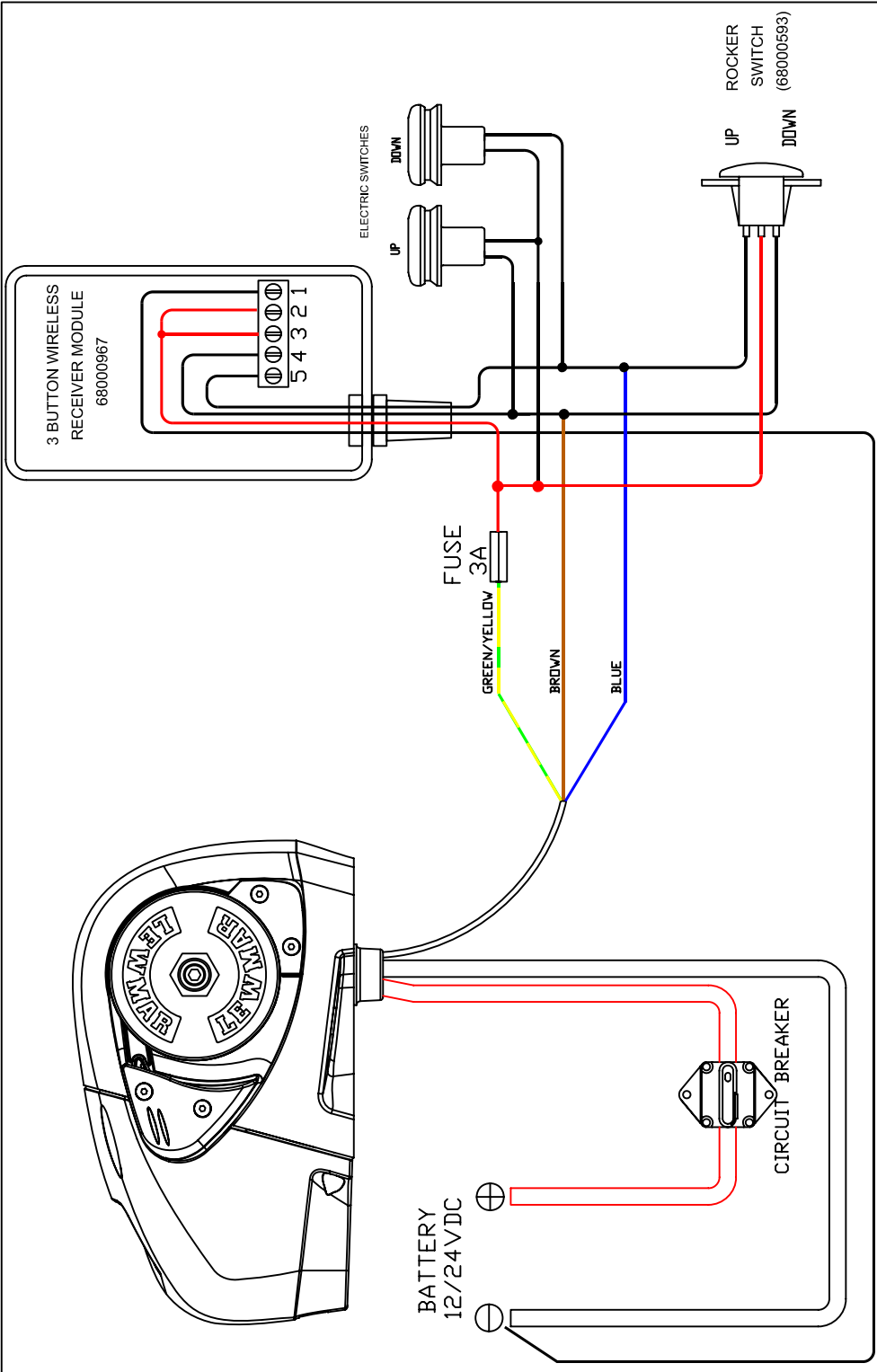


Split Field Dual Direction Contactor
Wiring Diagram 12/24VDC
Used on: Concept 1, V1, V2, V3, V5

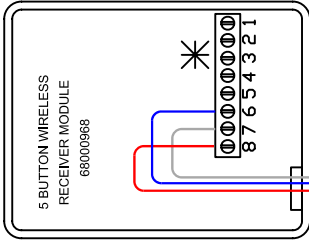


Series Wound Dual Direction Contactor
 Wiring Diagram 12/24VDC
 Used on: Concept 3, V4

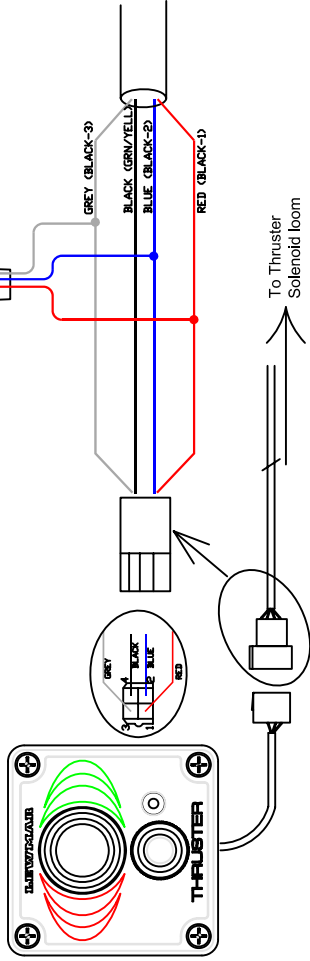




Wiring Diagram 12/24VDC
Used on: H2 & H3



*
For Terminals 1 to 5
Refer to windlass wiring
Diagrams

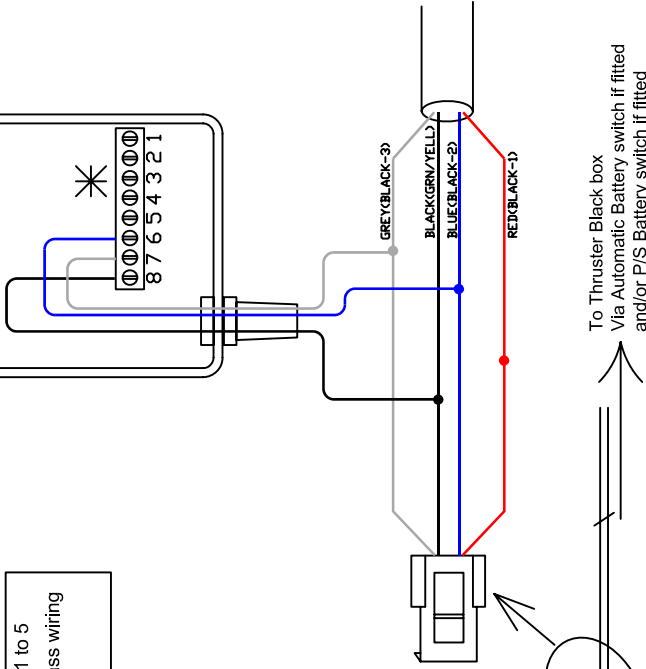
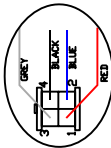
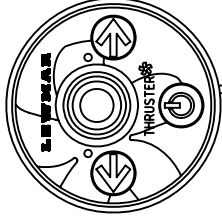


Thruster Positive Switching system
Wiring Diagram 12VDC
Used on: 140TT2.0KW only.

5 BUTTON WIRELESS
RECEIVER MODULE
680000968

8 7 6 5 4 3 2 1

*
For Terminals 1 to 5
Refer to windlass wiring
Diagrams



To Thruster Black box
Via Automatic Battery switch if fitted
and/or P/S Battery switch if fitted

Thruster Negative Switching system
Wiring Diagram 12/24VDC
Used on: 140TT, 2.2KW; All 185TT, 250TT, 300TT

LEWMAR