


2J9243 (DATASHEET)

Type	Marine DAB antenna
Frequencies	DAB (150 - 240 MHz)
Mounting	Any Surface
Revision	00




P. Tipul

1. SPECIFICATION

1.1. Electrical Specifications

Radio (Cable 1)

Frequencies	DAB (150 - 240 MHz)
Impedance	50 Ohms
Polarization	Vertical
LNA Gain	22 dB Typ.
VSWR	<2.5:1
Voltage supply	5.5 V to 24 V
Current	13 mA
Power (max.)	312 mA

1.2. General Specifications

Operating temperature	-40°C to +85°C
-----------------------	----------------

1.3. Connection Specifications

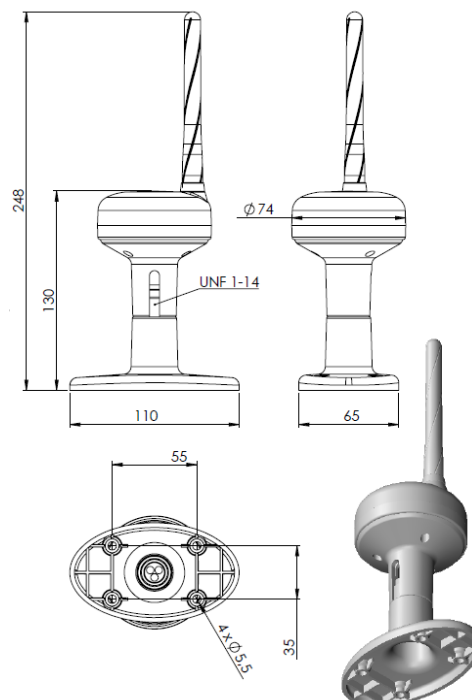
Connector type: SMA
 Cable: RG58
 Cable length: 1000 cm

For different cable length and connector type ask our sales team.

1.4. Mechanical Specifications and Dimensions

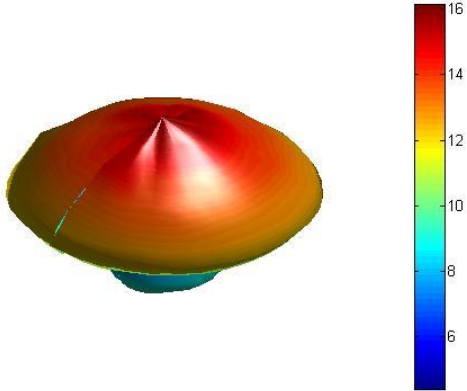
1.4.1. Any Surface

Material: ASA
 Max. dimensions: 248mm x 110mm x 74mm (H x L x W)
 Weight: 170 g 'weight counted with cable above'
 Colour: White (for different colours please ask our sales team)

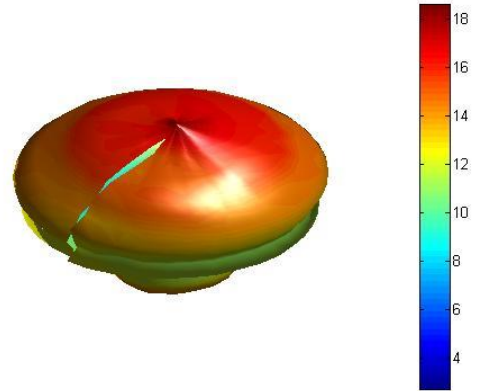


2. MEASUREMENT

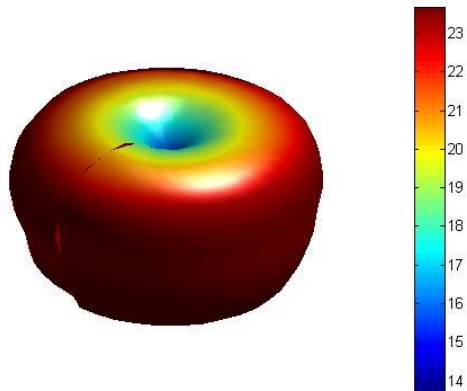
170MHz
 Freq = 0.1705GHz Az= 45 EL= 45



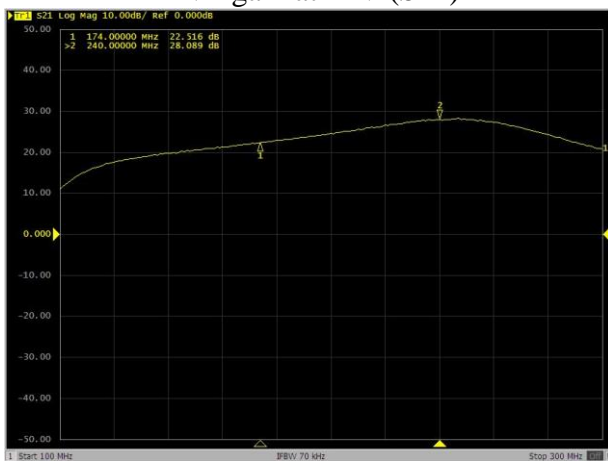
200MHz
 Freq = 0.1994GHz Az= 45 EL= 45



240MHz
 Freq = 0.2402GHz Az= 45 EL= 45



LNA gain at 12V (S21)



VSWR (S22)

