

Multi-Function Motorized Searchlight

Model 150/151 Series

INSTRUCTION GUIDE

FEATURES :

360 degree Rotation 90 degree Tilt
Programmable Handheld Wireless Remote Control Unit
UV Ray and Saltwater Resistant
Weatherproof for Land and Sea Applications
Working environment: -30°C (-22°F) ~ +70°C (+158°F)

Be applied in
Security, Sports, Working and Boating Multi-Function.

SPECIFICATION :

Housing Color : Black / White

Performance: 360 degree Rotation / 90 degree Tilt

Beam Pattern : Spot

LED Module :

LED chips X 6PCS

Wattage: 30W

Peak Beam Intensity: 75,000 Candela

Color Temperature: 5700~6000K

Beam Distance: 550M

Aluminum Housing as Heat Sink

Polycarbonate Lens

Radio Frequency : 433.92MHz

Wireless Remote Operation Distance : 65 Meters

Unit Size: 195X160X140mm / 7.7"X6.3"X5.5"

Weight: 1.6 Kgs / 3.53 lbs (Model 150 / Without Magnet)

1.9 Kgs / 4.3 lbs (Model 151/ With Magnet)

Remote Control Searchlight & Spotlights

OPERATION:

1. To connect DC Power 12V or 24V
2. Operation

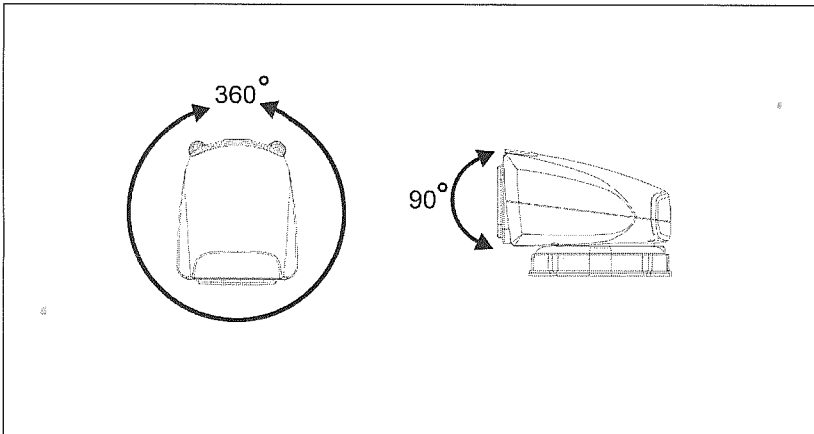
Press the on/off button to switch on or off searchlight.

Operate directions by pressing the direction buttons.

Up = ▲ Down = ▼ Right= ► Left = ◀

Button Fn : Strobe function.

3. Rotation Performance



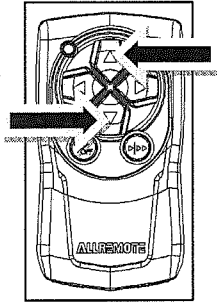
Performance: 360 degree Rotation / 90 degree Tilt

PACKING DETAILS :

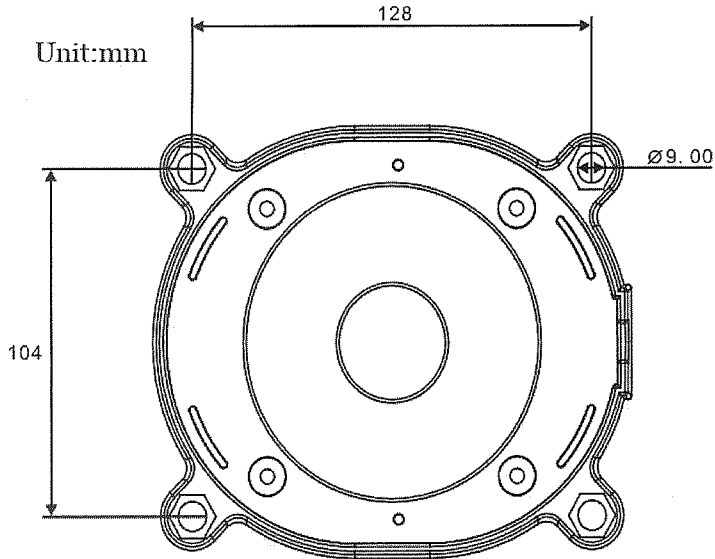
- ◆ Searchlight Model 150 (without magnet base)
Model 151 (with magnet base)
- ◆ Handheld Wireless Remote Controller
TX-SL014GO
- ◆ Mounting screw set

HANDHELD WIRELESS REMOTE PROGRAMMING PROCESS :

1. Switch off DC power or disconnect from battery.
2. Make sure there is NO other transmitter operating at the same time.
3. Switch on DC power, within 5 seconds press Remote up ▲ and down ▼ button once simultaneously.
4. Searchlight will flash to acknowledge the Remote, connection has been made.
5. To program the second Remote (up to 4 remotes may be used with the searchlight, programming a fifth remote will replace the first), within five seconds after the first Remote programmed, press the second Remote up and down button or repeat step 1.



MOUNTING INSTALLATION :



SAFTY NOTICE :

- ⊙ Connector on LED module should be connected correctly for Positive and Negative wire.

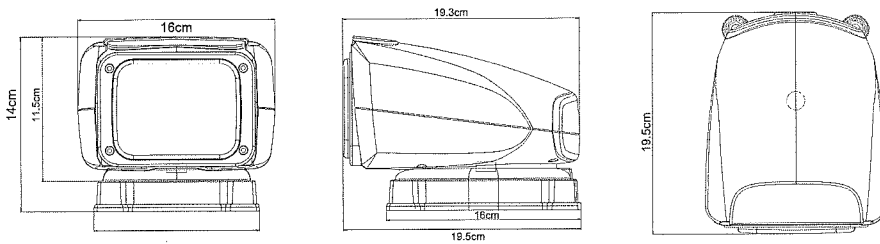
RED and BLUE : Positive (+)
BLACK and BROWN : Negative (-)

- ⊙ FCC RULE Part. 15.21 : The changes or modifications not expressly approved by the party responsible for compliance could void the user's authority to operate the equipment.

- ⊙ This device complies with Part 15 of the FCC Rules. Operation is subject to the following two conditions: (1) this device may not cause harmful interference, and (2) this device must accept any interference received, including interference that may cause undesired operation.

- ⊙ This searchlight is a Radio Frequency (RF) device which operates on Channel 433.92MHz. It will send out RF energy when it is on operation.
1. RF energy may affect some electronic equipment.
2. Some electronic equipment on vehicle or boats may be affected by RF energy.

Model 150/151 Dimension :



ME-03-0020 V.2015