

Motorized Remote Control Searchlight

Model 970SL Series

INSTRUCTION GUIDE

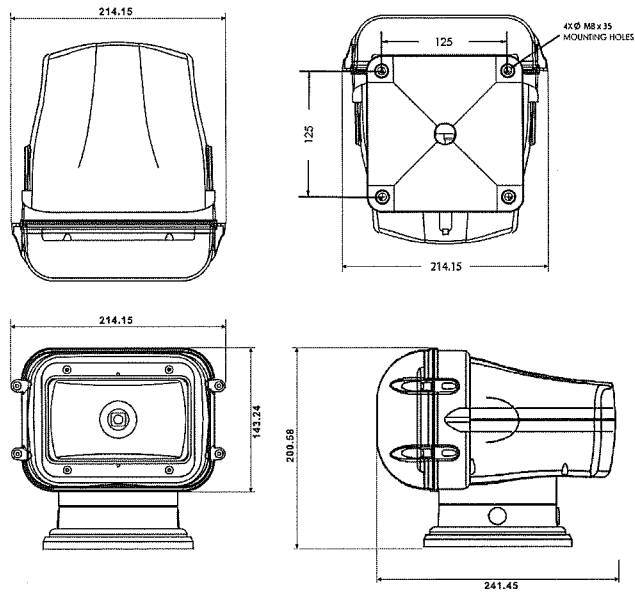
FEATURES :

- LED lighting
- 360° Unlimited Rotation/135° Tilt
- Programmable Handheld Wireless Remote Controller
- UV Ray and Saltwater Resistant
- Automatically return to home position when searchlight is turned off
- *****Important Notice: If searchlight DC power is cut off (wires disconnected from battery or power supply switched off), after reconnected, make sure to turn on the searchlight, using wireless or wired remote to make a full 360 rotation, in order to reset the home position memory.

SPECIFICATION :

Housing Color: Black / White

Dimension : Unit : mm



LED module :

- LED chips X 10PCS
- Watts: 50W
- Current consumption: 13.5V 3.3A (MAX) / 28V 1.5A (MAX)

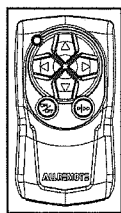
- Color Temperature: 5,700~6,000K
- Beam Pattern : Spot
- Luminous intensity: 350,000 Candelas
- Beam distance: 1,183M
- Aluminum Housing as Heat Sink
- Polycarbonate lens

Power: DC 12V ~ 24V (Multi-voltage)

Weight: 2.5Kgs / 5.4 lbs. (Permanent mount)

OPERATION :

Handheld Wireless Remote



1. Operation

Press on/off button to Switch on or off searchlight.

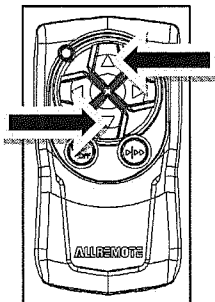
Operate directions of the light beam by pressing the direction buttons.

Up = ▲ Down = ▼ Right = ► Left = ◀

2. Button Fn : Dual speed (Fast / Slow speed switch)

HANDHELD WIRELESS REMOTE PROGRAMMING PROCESS :

1. Switch off DC Power or disconnect from battery.
2. Make sure there is NO other transmitter operating at the same time.
3. Switch on DC Power, within 5 seconds press Remote up ▲ and down ▼ button once simultaneously.
4. Searchlight will flash to acknowledge the Remote, connection has been made.
5. To program the second Remote (up to 4 remotes may be used with the searchlight, programming a fifth will replace the first), within five seconds after the first Remote programmed, press the second Remote up and down button or repeat step 1.



RADIO FREQUENCY : 433.92MHz

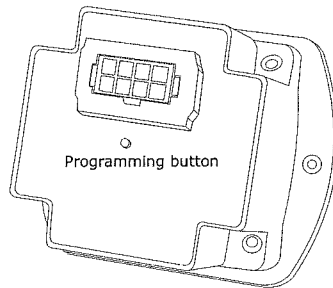
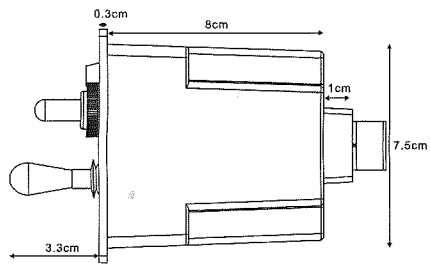
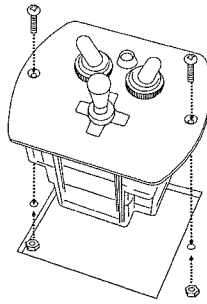
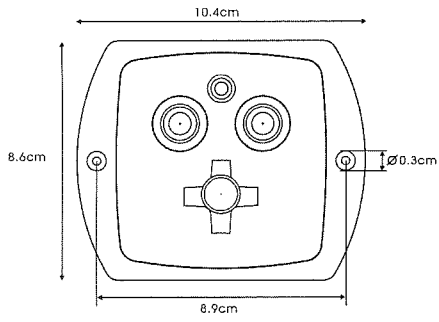
Wireless Remote Battery: 23A*2pcs

Wireless Remote Operation Distance: 65M

Dash Mount Wired/Wireless Joystick (Optional)

Wired Joystick= RX-SL008E

Joystick Installation



SAFTY NOTICE :

- ⊙ Connector on LED module should be connected correctly for Positive and Negative wire.

RED and BLUE: Positive (+)
BLACK and BROWN: Negative (-)

- ⊙ FCC RULE Part. 15.21 : The changes or modifications not expressly approved by the party responsible for compliance could void the user's authority to operate the equipment.
- ⊙ This device complies with Part 15 of the FCC Rules. Operation is subject to the following two conditions: (1) this device may not cause harmful interference, and (2) this device must accept any interference received, including interference that may cause undesired operation.
- ⊙ This searchlight is a Radio Frequency (RF) device which operates on Channel 433.92MHz. It will send out RF energy when it is on operation.
 1. RF energy may affect some electronic equipment.
 2. Some electronic equipment on vehicle or boats may be affected by RF energy.

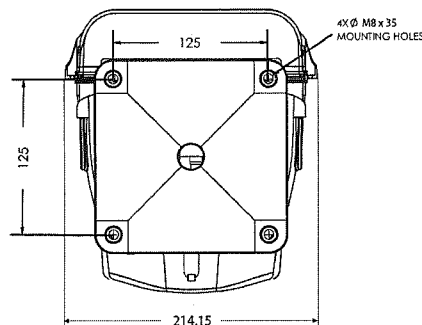
PACKING INCLUDED:

- Model 970SL LED Searchlight
- Handheld Wireless Remote Controller
 - TX-SL014GO
- Wired Joystick Controller
 - RX-SL008E

INSTALLATION :

Unit : mm

Screw Hole:9.05



ME-03-0019 V.2019 APR.