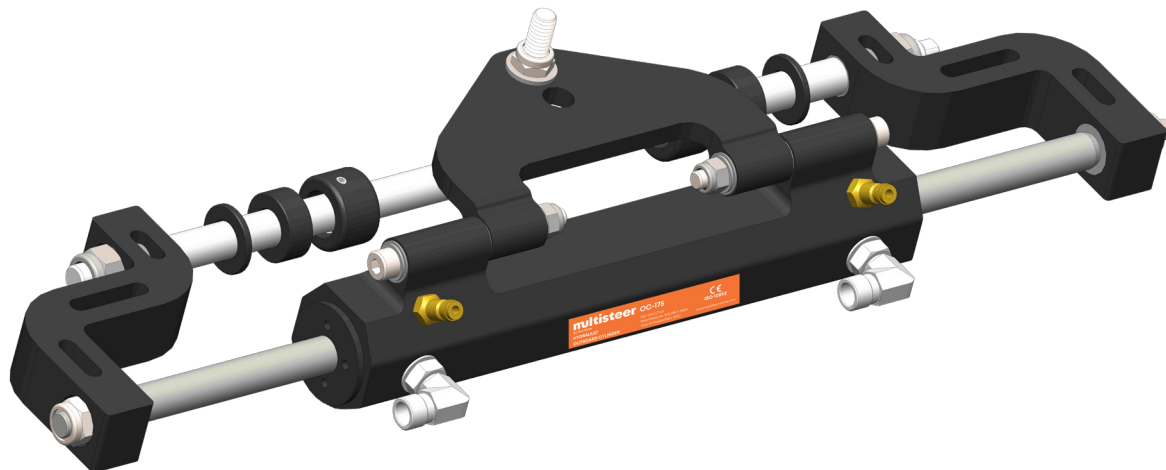
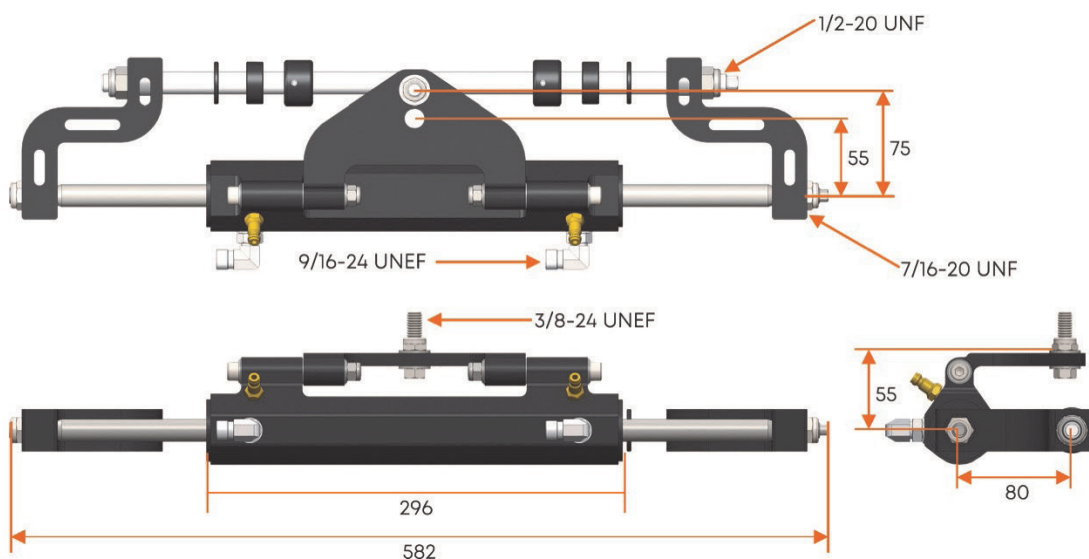


FACT SHEET

Outboard Hydraulic Steering Cylinder - OC-175



Model No.	Force (Kgf)	Volume		Stroke (mm)	Port Threads (UNEF)
		CC	Ci		
OC-175	422	122	7.4	203	9/16-24 UNEF



Key Features

- Simple to install
- Single or Dual Station application
- Single or dual engine application
- Fits most common outboards