



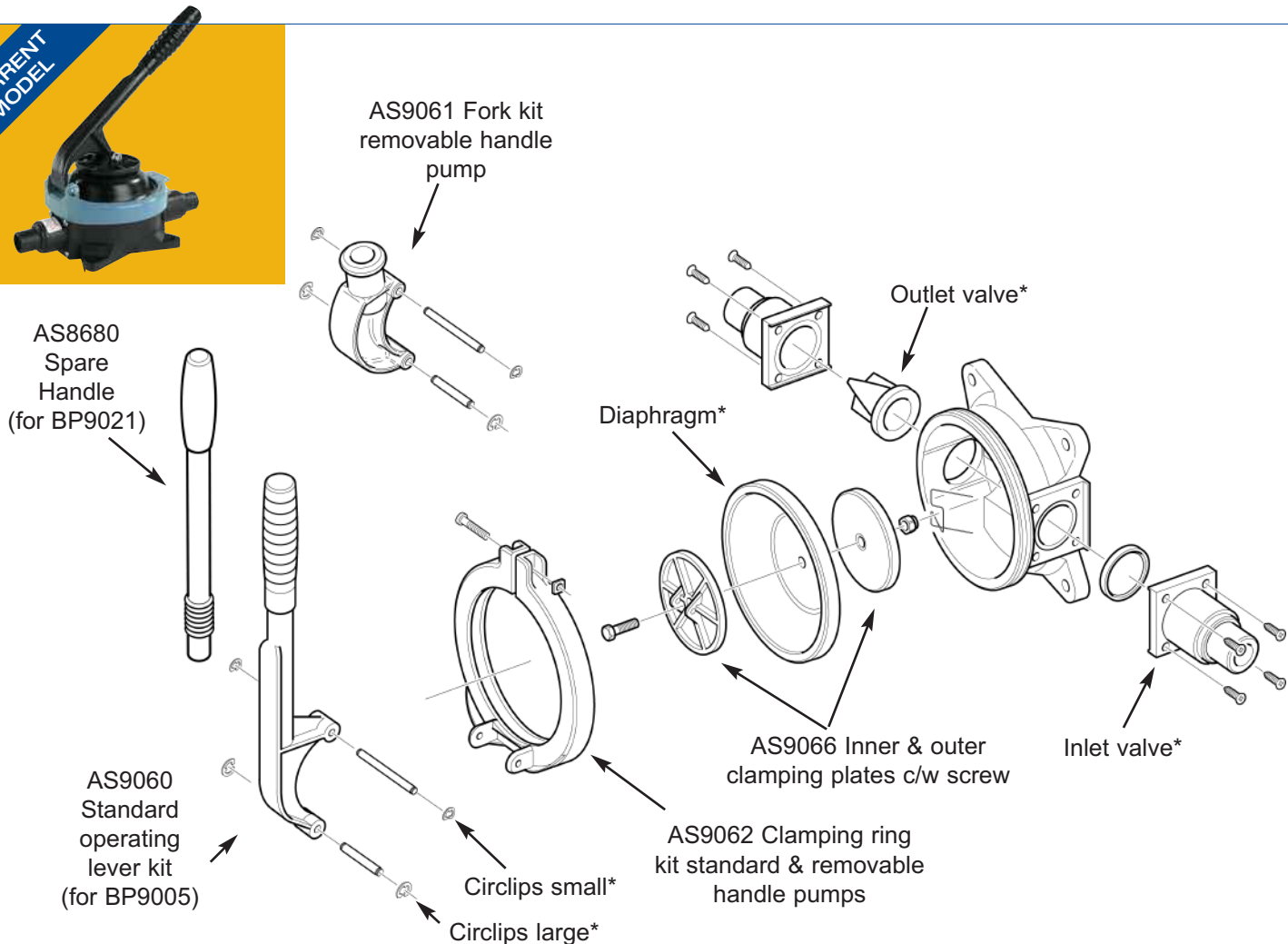
# Manual Bilge Pumps

## Gusher® Urchin Compact Bilge and Waste Pump

**On Deck/Bulkhead: BP9005 - Fixed Handle Compact Bilge & Waste Pump**

**On Deck/Bulkhead: BP9021 - Removable Handle Compact Bilge & Waste Pump**

**Note\*** Contained in Service Kit AK9003 (Neoprene™) or AK9011 (Nitrile®)



### Accessories

- AS8680 Spare Handle (for BP9021 only)
- SB4222 Side Entry Strainer
- SB5865 Top Entry Strainer
- SF5204 1" Skin Fitting
- SF5425 1 1/2" Skin Fitting
- YP6114 1 1/2" Y Piece
- YP6130 1/2" Y Piece
- LV1215 1" / 1 1/2" Non Return Valve
- LV1219 3/4" / 1" Non Return Valve
- EB3364 1" Elbow
- EB3488 1 1/2" Elbow

### Service Kits

**AK9003 Service Kit with Complete Set of Serviceable Parts for Urchin (Neoprene™)**  
**AK9011 Service Kit with Complete Set of Serviceable Parts for Urchin (Nitrile®)**

Qty	Containing
1	Diaphragm
1	Inlet valve
1	Outlet valve
2	Circlip small
2	Circlip large

#### AS9060 Standard Operating Lever Kit

Qty	Containing
1	Lever sleeve (black)
1	Lever
1	Short fulcrum pin
2	Circlip large

2	Circlip small
1	Fulcrum pin

#### AS9061 Fork Assembly for Underdeck & Removable Handle Pumps

Qty	Containing
1	Short fulcrum pin
1	Fork
2	Circlip small
2	Circlip large
1	Long fulcrum pin (underdeck)
1	Fulcrum pin (removable handle)

#### AS9062 Clamping Ring Kit for Standard & Removable Handle Pumps

Qty	Containing
1	Clamping ring
1	Pinching screw
1	Nut
2	Circlip small
2	Circlip large

See page 60 for further contact information



## Manual Bilge Pumps

# Gusher® Urchin Compact Bilge and Waste Pump

**On Deck/Bulkhead: BP9005 - Fixed Handle Compact Bilge & Waste Pump**

**On Deck/Bulkhead: BP9021 - Removable Handle Compact Bilge & Waste Pump**



AK9003



AK9011



AS9060 - BP9005



AS9061 - BP9021



AS9062



AS8680 for BP9021 only



AS9066



SB4222 / SB5865



SF5204/SF5425



EB3363/EB3488



YP6114



LV1215

## Service Kits

### AS9066 Inner & Outer Clamping Plate Kit

Qty	Containing
1	Clamping nut nylon
1	Inner clamping plate
1	Outer clamping plate
1	Clamping screw
2	Circlip small
2	Circlip large



# Manual Bilge Pumps

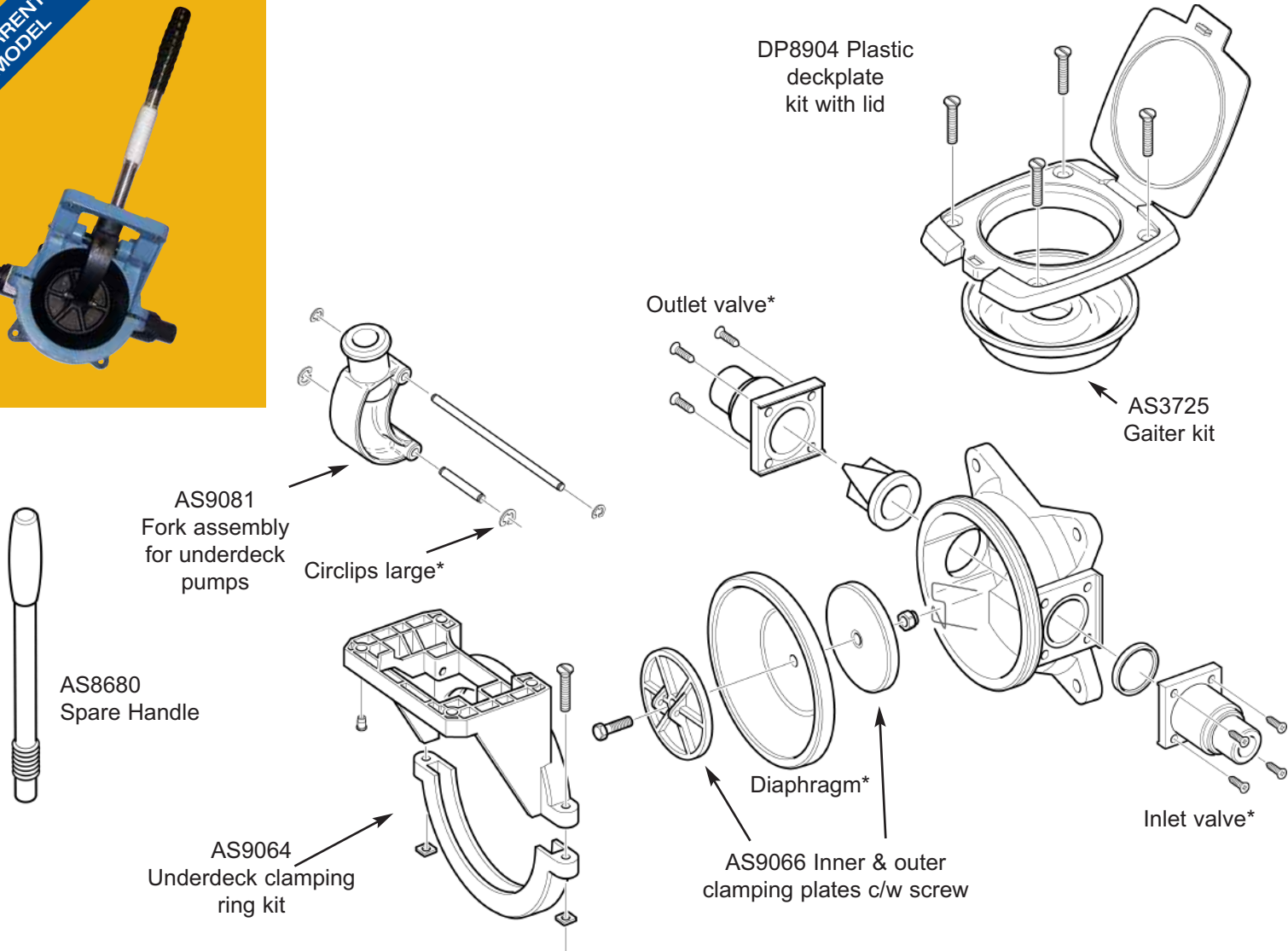
## Gusher® Urchin Underdeck

### Underdeck: BP9013 - Compact Bilge & Waste Water Transfer Pump

**Note\*** Contained in Service Kit AK9003 (Neoprene™) or AK9011 (Nitrile®)



CURRENT MODEL



#### Accessories

- AS8680 Spare Handle
- SB4222 Side Entry Strainer
- SB5865 Top Entry Strainer
- SF5204 1" Skin Fitting
- SF5425 1 1/2" Skin Fitting
- YP6114 1 1/2" Y Piece
- LV1215 1" / 1 1/2" Non Return Valve
- EB3364 1" Elbow
- EB3488 1 1/2" Elbow

#### Service Kits

**AK9003 Service Kit with Complete Set of Parts for Urchin (Neoprene™) (See list below)**

**AK9011 Service Kit with Complete Set of Parts for Urchin (Nitrile®)**

Qty	Containing
1	Diaphragm
1	Inlet valve
1	Outlet valve
2	Circlip small
2	Circlip large

#### AS9064 Underdeck Clamping Ring Kit

Qty	Containing
1	U/D clamping ring
1	Pinching screw
4	Insert
1	Nut
4	Circlip

#### AS3725 Gaiter Kit for Deckplates

Qty	Containing
1	Gaiter (for plastic or metal deckplate)
1	O-ring (for metal deckplate Whale Gusher 10 & Whale Gusher 30 only)

### Underdeck: BP9013 - Compact Bilge & Waste Water Transfer Pump



AK9003



AK9011



AS3725



AS8680



AS9061



AS9064



AS9066



DP8904



SB4222



SB5865



SF5204



SF5425



YP6114



LV1215



EB3364/EB3488

### Service Kits (Continued)

#### AS9066 Inner & Outer Clamping Plate Kit

Qty	Containing
1	Clamping nut nyloc
1	Inner clamping plate
1	Outer clamping plate
1	Clamping screw
2	Circlip (small)
2	Circlip (large)

#### AS9061 Fork Assembly

Qty	Containing
1	Short fulcrum pin
1	Fork
2	Circlip large
2	Circlip small
1	Long fulcrum pin (underdeck)
1	Fulcrum pin (removable handle)

#### DP8904 Plastic Deckplate with Lid

Qty	Containing
1	Deckplate & lid
1	Gaiter
6	Screws M6x40
6	Nuts M6
6	Washers M6

# Customer Support Services

Whale employees are committed to providing excellent customer service and product installation and maintenance advice.

**Contact our customer service team  
for technical advice:**



## Whale Support

UK

tel: +44 (0)28 9127 0531  
fax: +44 (0)28 9146 6421  
info@whalepumps.com  
whalepumps.com

USA

tel: +1 802 367 1091  
fax: +1 802 367 1095  
usasales@whalepumps.com  
whalepumps.com

Call us directly for product and installation advice

*“It is refreshing to find a manufacturer that not only supplies first rate products but also gives excellent back up service...”*

Ken Bell, letter to Inland Waterways News

### Boat Builder Technical Partnership

Our technical support team of highly skilled marine engineers work in partnership with power and sailboat builders around the world. This collaboration delivers bespoke systems that are ideal for each builder, saving both time and money.

**Please note:** Illustrations are for guidance only.  
For installation advice please contact Whale directly.

Neither the accuracy nor completeness of the information contained in this brochure is guaranteed by Munster Simms Engineering Limited and Whale Water Systems Inc. (a wholly owned subsidiary of Munster Simms Engineering Limited) and may be subject to change at its sole discretion. Munster Simms Engineering Limited and Whale Water Systems Inc. (a wholly owned subsidiary of Munster Simms Engineering Limited) may, at its sole discretion, change the technical performance, dimensions or appearance of any of its Whale products without prior notification to a purchaser.

Copyright Whale 2012- All rights reserved. WHALE®, GUSHER®, GULPER®, SMARTBAIL®, WHALE IC®, WHALE IC DEVICE and BABYFOOT® are trademarks of Munster Simms Engineering Limited, Bangor, Northern Ireland trading as Whale.

Whale's policy is one of continuous improvement and we reserve the right to change specifications without prior notice. Illustrations are for guidance purposes only.

Please note that by contacting Whale Support you will be indicating your consent to receiving product updates, recall information, help guides and appropriate marketing messages from us via post, email or telephone unless you indicated an objection to receiving such messages.

Santoprene® is a registered trade name of Advanced Elastomer Systems, LP, an Exxonmobil Chemical Affiliate.

Delrin®, Teflon® and Neoprene are registered trade names of Dupont Neumeurs and Co.

Monprene® is a registered trade name of Technore Apex.

Ref:db\_pshaw\_180.36\_v3\_0912