

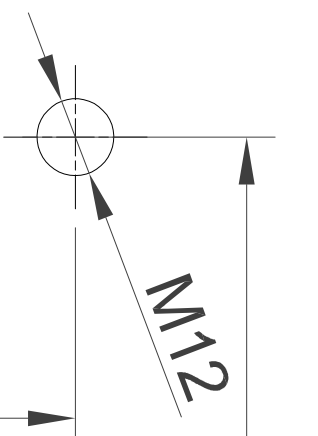
AFT

250

194

DECK DRILLING SKETCH

**ENSURE YOU CHECK DIMENSIONS
BEFORE DRILLING AGAINST YOUR MODEL**



125

218

97

60

20

FORWARD

