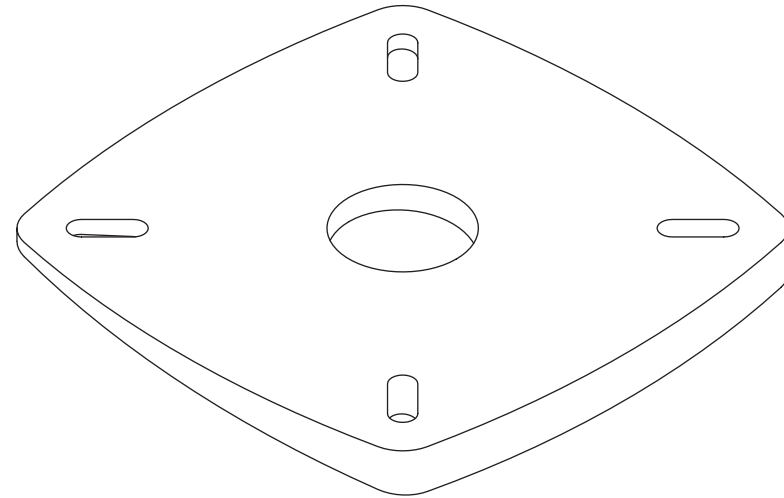
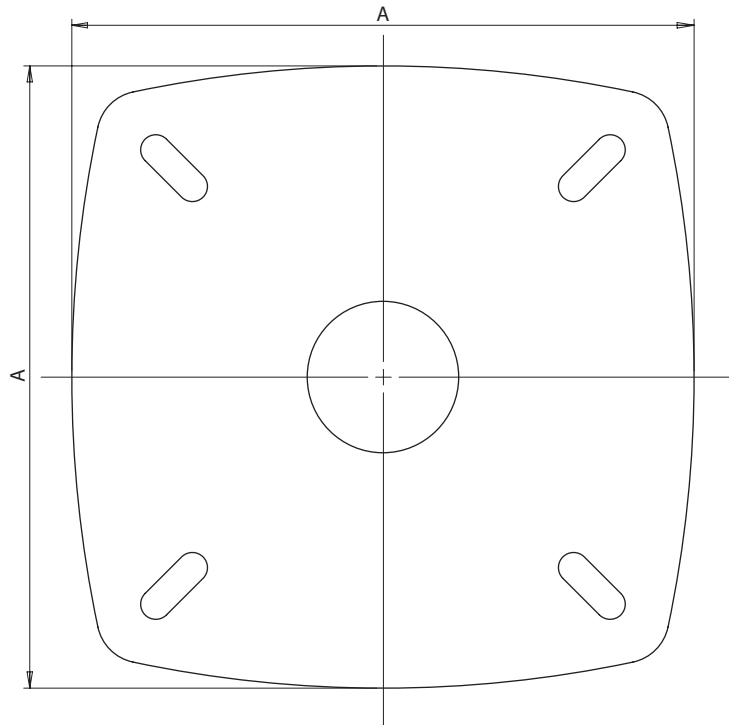


4° Base Wedge for PowerTower®

For help & information
 email: technical@scanstrut.com
 tel: +44 (0) 1803 863800



	A mm / inches	B mm / inches
PT3010*	205/8.07	4°
SPT2010**	158/6.22	4°

*Fits Composite and Aluminium PowerTower®

**Fits Stainless PowerTower® excluding SPT1004 and SPT1005

