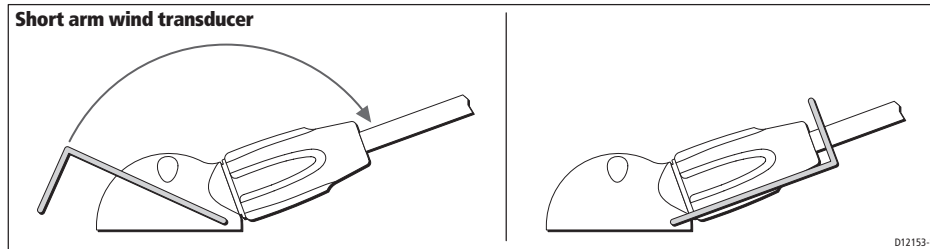


2. Drill the mounting surface for the cable option you intend to use:
 - For cable option A, drill a 4 mm hole at each marked location for the fixing screw holes.
 - For cable option B, drill a 4 mm hole at each of the marked locations for the fixing screw holes and an 8 mm hole at the marked location for the cable.
3. Referring to the *Wind vane cable options* illustration, arrange the cable as appropriate for the option you are using, then secure the wind vane base, using the two self-tapping fixing screws.
4. Insert the wind vane arm into the wind vane base connector and tighten the locking ring securely by hand.
5. For the short arm wind vane, ensure the metal clip is secured, as shown below:



Post installation setup

After fitting the wind vane, do the following setup for your ST60 or ST290 system, as appropriate:

ST60

Referring to the appropriate ST60 Wind instrument Owner's Handbook:

1. Use the Intermediate calibration procedure to ascertain the instrument software version.
2. Carry out the linearization procedure.
3. Use the Dealer calibration procedure to set the appropriate calibration factor as follows:
 - For ST60 Wind instruments on software version 6.0 onwards, set calibration factor to 0.7.
 - For ST60 Wind instruments on software versions prior to 6.0, set calibration factor to 0.75.

Note: If you have fitted the wind vane as a REPLACEMENT in an EXISTING wind system, the completion of linearization will NOT be indicated by three beeps, as described in the handbook.

ST290

Carry out the linearization procedure, as detailed in the *ST290 Instrument System Owner's Handbook*. No further setting up is required.

Maintenance

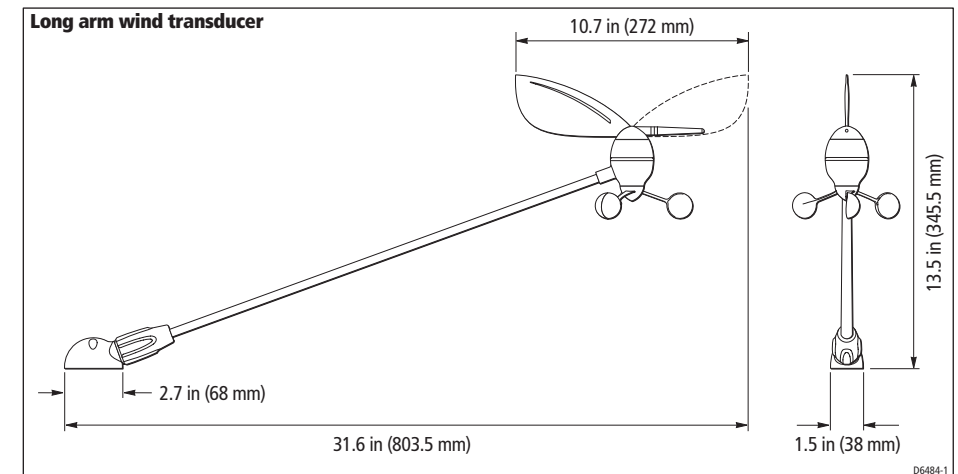
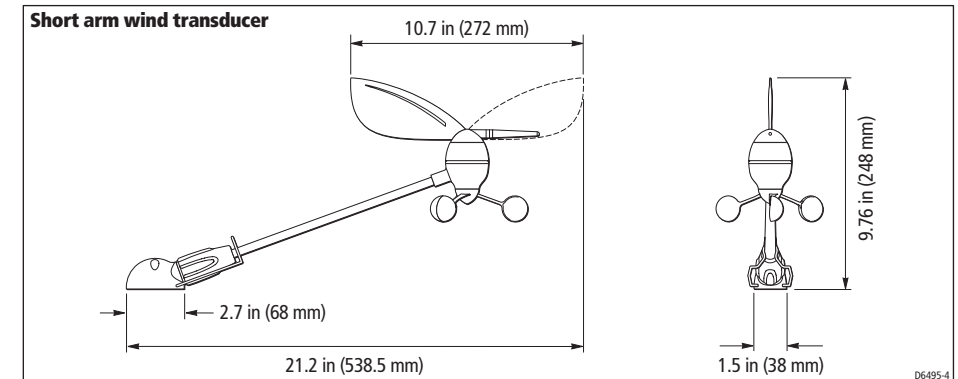
- Do NOT use lubricants or sealants when cleaning this product.
- Check the arm's locking ring tightness on an annual basis.

The New Raymarine Wind Vane

Your Raymarine product is supplied with the latest, improved Raymarine wind vane. This provides greater directional accuracy and a lower stall speed than the previous model.

Dimensions

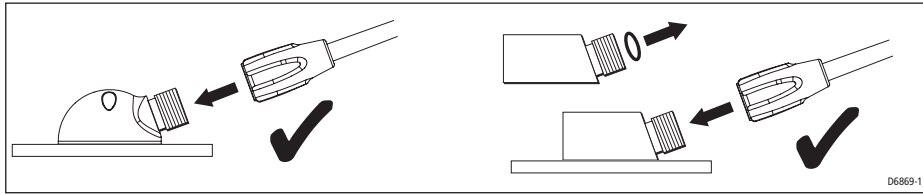
The new wind vane is available in long arm and short arm versions.



Compatibility

The new wind vane is compatible with Raymarine ST60 and ST290 instrument systems and can be used to replace older-style Raymarine wind vanes in these systems. If you replace an older vane with this new one, you must then use the appropriate calibration procedure to set the correct wind speed calibration factor, (see *Post installation setup*, below).

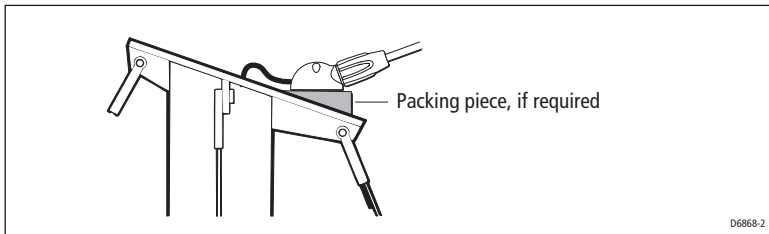
When replacing older Raymarine wind vanes, you can either fit the new wind vane complete, or you can connect your new wind vane to an existing, old-style mounting block, whichever is most convenient. If you use an old-style mounting block, remove the 'O' ring from inside the mounting block connector before you fit the new wind vane.



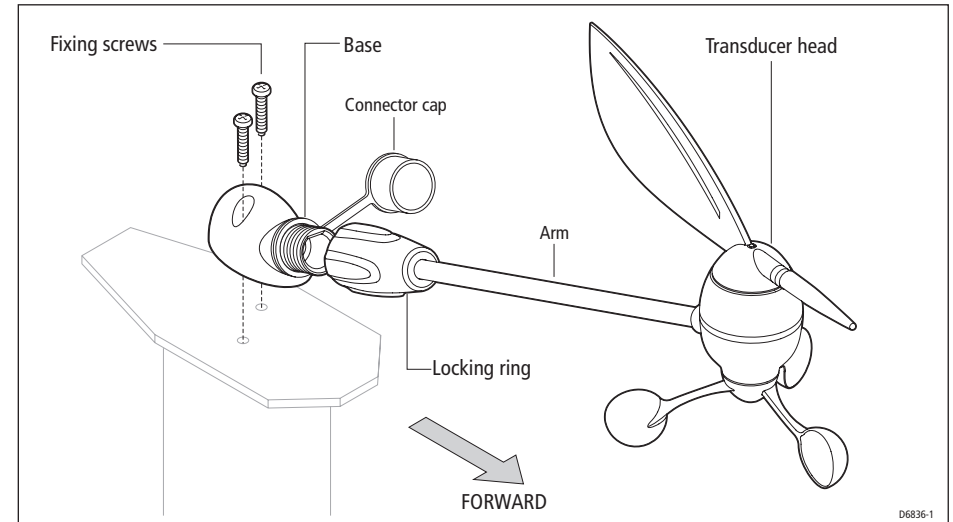
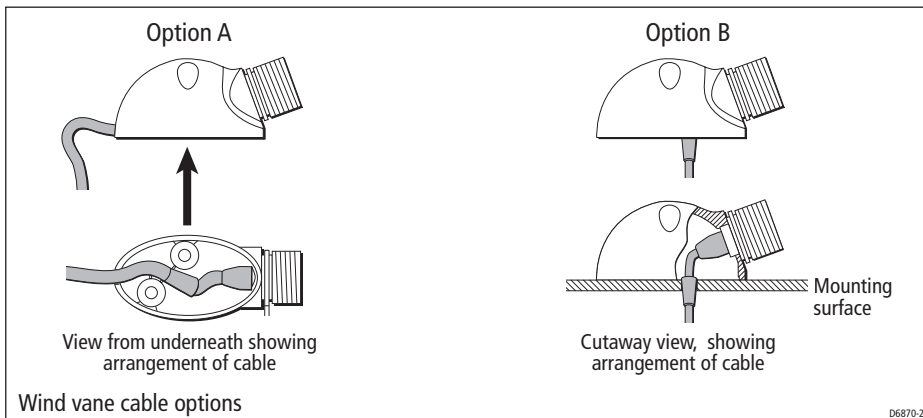
Installation

Note: Do NOT remove the connector cap from the wind vane base connector, until you are ready to fit the wind vane arm. After fitting the arm the cap must remain attached to the base.

The wind vane base must be horizontal. If necessary, make up a suitable packing piece to provide a horizontal mounting surface.



You can fit your wind vane so the cable leaves the base either from the rear (option A), or from underneath (option B).



To mount the new wind vane:

1. Mark the mounting surface for drilling. The recommended method for doing this depends on which mounting option you intend to use:
 - For cable option A, place the wind vane base in the intended position, with the front end facing forwards, and mark the position of the two fixing screw holes
 - For cable option B, use the drilling diagram below to mark the position of the two fixing screw holes and the cable hole.

