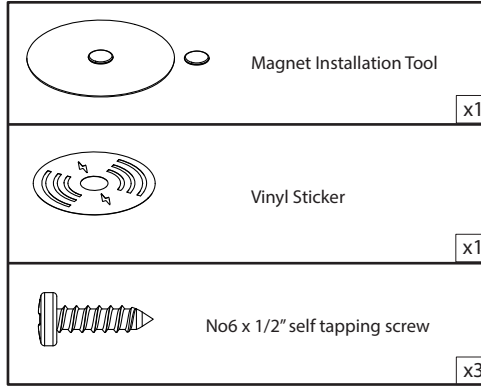
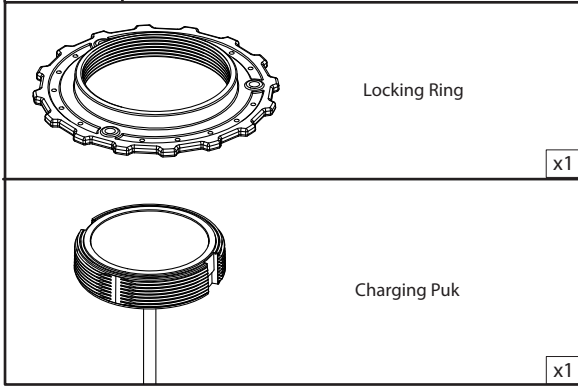
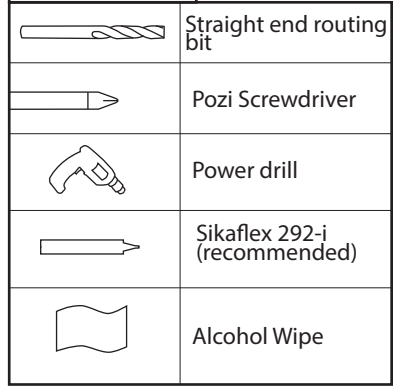


ROKK Wireless Charge Hidden (SC-CW-01)

Parts List



Tools Required



1 If mounting surface is > 3mm thick, route a pocket 67mm (2.6") diameter till 3mm thickness is achieved.

2 Screw or bond locking ring to underside of surface. Sikaflex 292 - i recommended.

3 Option 1 - CNC etch logo onto top surface

4 Option 2 - Use vinyl sticker and align with magnet tool provided. Ensure surface is free from dirt or grease.

5 Screw in PUK until firm, do not over tighten.

6 Connect wires to 12-24V supply, use solder tubes provided for a sealed joint.