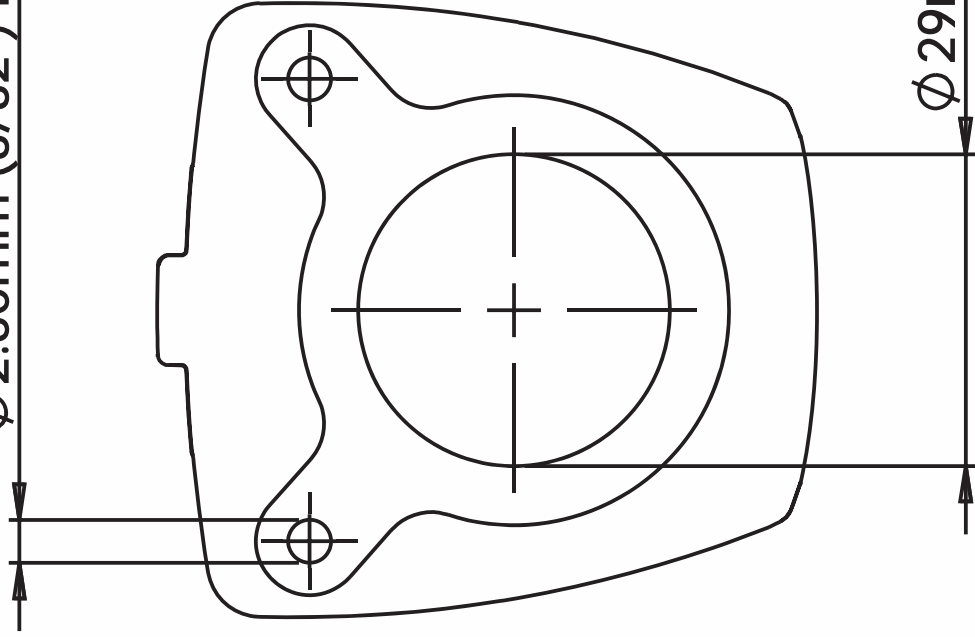


Φ 2.50mm (3/32") PILOT HOLE



Φ 29mm (1 1/8")

