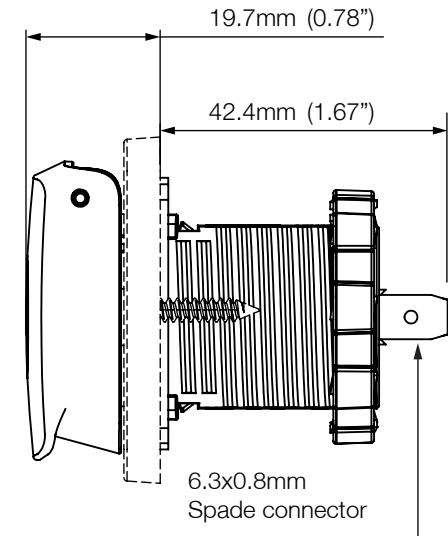
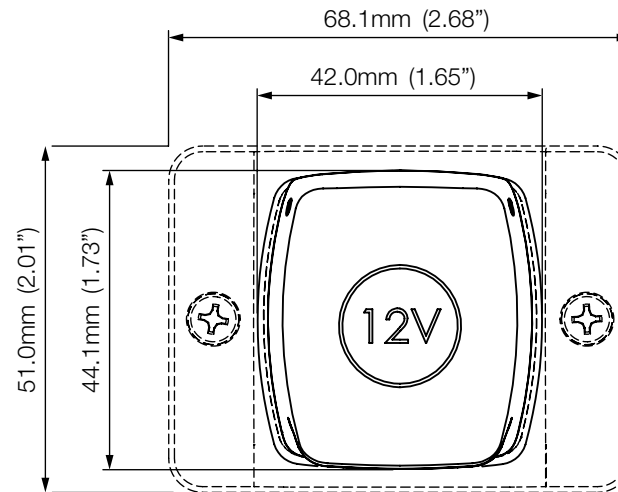


Flip Pro 12V Power Socket - SC-12V-F1

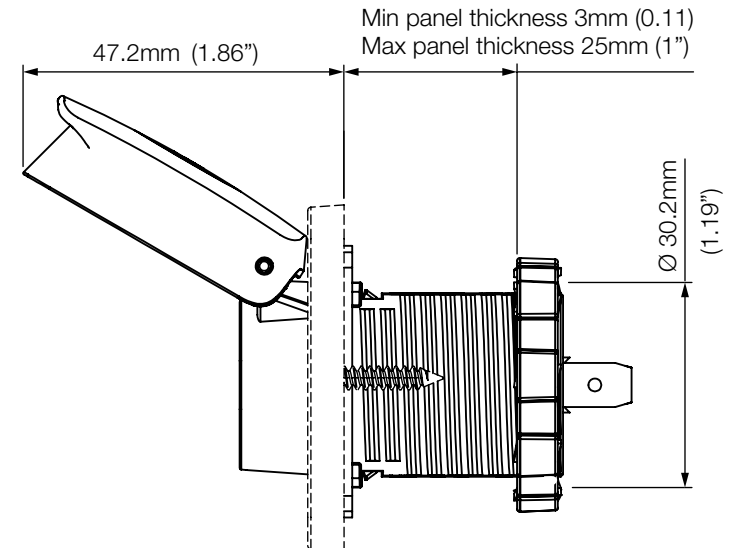
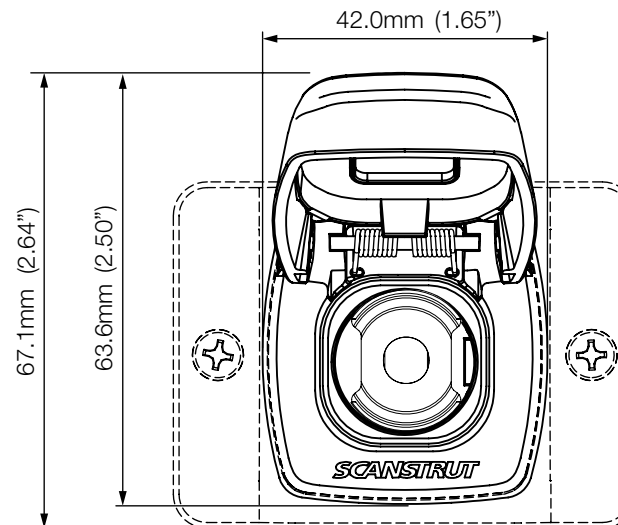
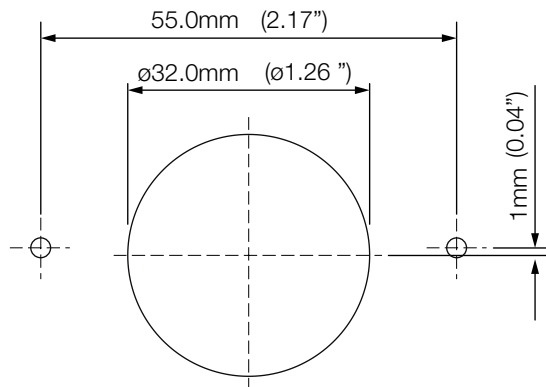
Email: sales@scanstrut.com Email: usasales@scanstrut.com

Technical info:

Input voltage 12/24V system	10-15V DC
Input current max	10A
Output type C (12V system)	5V=3A, 9V=3A 12V=3A MAX
Waterproof rating	IPX4 front only lid closed
Standby draw	0.01W
Certification	CE, ROHS, WEE, UKCA



Drill template:



SCANSTRUT