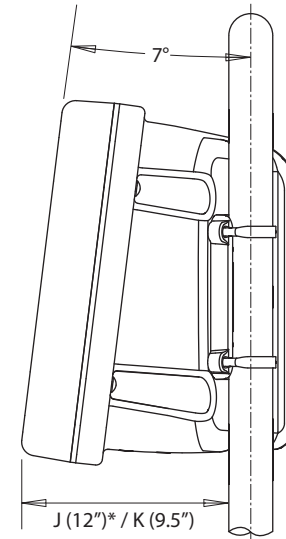
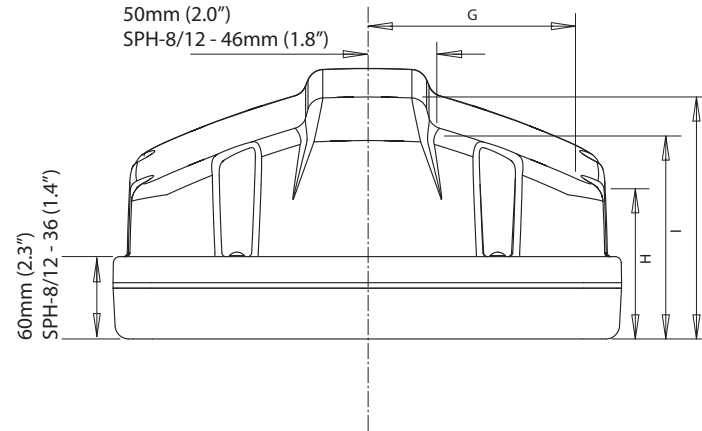
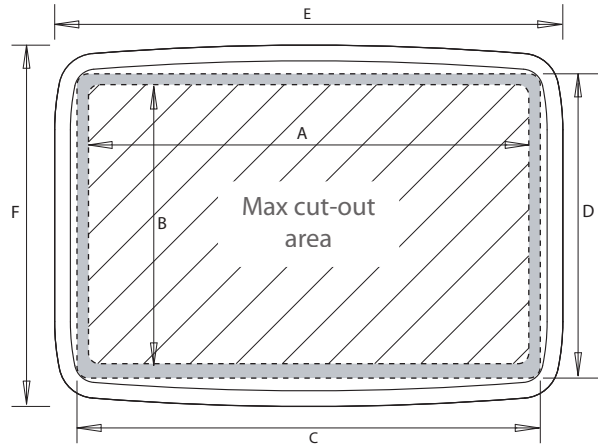


Helm Pod

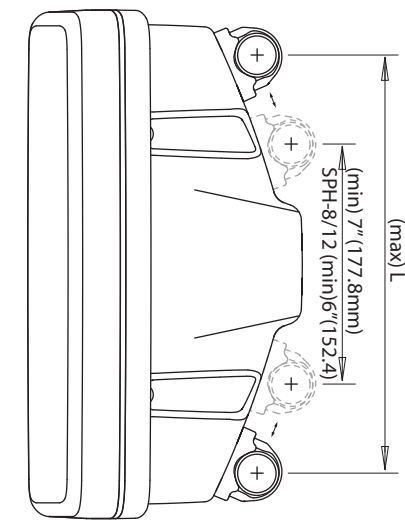
For help & information
 email: technical@scanstrut.com
 tel: +44 (0) 1803 863800



Pedestal Guard shown has 12" centres.

*For SPH-8 J=8" centres
 For SPH-12 J=11" centres

	A	B	C	D	E	F	G	H	I	J	K	L	M
	mm / inches	mm / inches	mm / inches	mm / inches	mm / inches	mm / inches	mm / inches	mm / inches	mm / inches	mm / inches	mm / inches	mm / inches	mm / inches
SPH-3i	368/14.5	118/4.65	390/15.35	140/5.5	432/17	181/7.1	180/7.1	90/3.5	99/3.9	100/4	103/4.1	317/12.5	175/6.9"
SPH-4i	498/19.6	118/4.65	520/20.5	140/5.5	562/22.1	187/7.4	246/9.7	85/3.35	99/3.9	100/4	103/4.1	406/16	175/6.9"
SPH-8D	312/12.3	200/7.9	334/13.1	223/8.8	371/14.6	264/10.4	150/5.9	111/4.4	150/5.9	152/6.0	165/6.5	304.8/12	175/6.9"
SPH-12D	365/14.4	241/9.5	384/15.1	263/10.4	424/16.7	304/12.0	169/6.5	140/5.5	160/6.3	186/7.3	192/7.6	304.8/12	175/6.9"
SPH-15D	423/16.7	333/13.1	424/16.7	349/13.7	482/19.0	396/15.6	199/7.8	104/4.1	146/5.7	176/6.9	185/7.3	381/15	175/6.9"
SPH-SYSTEM	541/21.3	274/10.8	545/21.5	289/11.4	600/23.6	336/13.2	252/9.9	143/5.6	163/6.4	205/8.1	207/8.1	381/15*	175/6.9"
SPH-8	267/10.5	167/6.6	289/11.4	190/7.5	324/12.75	228/8.97	128.5/5	134/5.3	152.8/6	170/6.7	N/A	203/8	167/6.6"
SPH-12	332.5/13	227/9	354.5/14	244.5/9.5	392/15.5	286/11.3	170/6.7	109/4.3	145/5.7	205/8.1	165/6.5	280/11	167/6.6"



* Will fit Pedestal Guards with up to 466mm (18.35") centre to centre spacing but no drilling guides provided.

