

i70 Instrument display

Installation instructions

ENGLISH

Document number: 87131-1

Date: 11-2010

The Raymarine logo is positioned in the bottom left corner of the page. It features the word "Raymarine" in a bold, black, sans-serif font, followed by a registered trademark symbol (®). The logo is set against a light gray background that is part of a larger graphic design consisting of several overlapping, curved bands in shades of gray and black that sweep across the bottom of the page.

Raymarine®

Trademark and patents notice

Autohelm, hsb², RayTech Navigator, Sail Pilot, SeaTalk, SeaTalk^{NG}, SeaTalk^{HS} and Sportpilot are registered trademarks of Raymarine UK Limited. RayTalk, Seahawk, Smartpilot, Pathfinder and Raymarine are registered trademarks of Raymarine Holdings Limited.

FLIR is a registered trademark of FLIR Systems, Inc. and/or its subsidiaries.

All other trademarks, trade names, or company names referenced herein are used for identification only and are the property of their respective owners.

This product is protected by patents, design patents, patents pending, or design patents pending.

Fair Use Statement

You may print no more than three copies of this manual for your own use. You may not make any further copies or distribute or use the manual in any other way including without limitation exploiting the manual commercially or giving or selling copies to third parties.

Copyright ©2011 Raymarine UK Ltd. All rights reserved.

ENGLISH

Document number: 87131-1

Date: 11-2010

Contents

Chapter 1 Important information.....	7	3.3 SeaTalk ^{ng} connections.....	24
TFT LCD Displays	7	3.4 SeaTalk connection	25
Water ingress	7	3.5 NMEA2000 connection.....	26
Disclaimers	8	3.6 Transducer connections	27
EMC installation guidelines	8	Chapter 4 Location and mounting	29
Suppression ferrites.....	8	4.1 Selecting a location	30
Connections to other equipment	9	4.2 Mounting	31
Declaration of conformity.....	9	Chapter 5 System checks	35
Product disposal.....	9	5.1 Initial power on test	36
Warranty registration.....	9	5.2 Using the setup wizard	37
IMO and SOLAS.....	9	5.3 Transducer calibration	37
Technical accuracy	9	5.4 Depth calibration	38
Chapter 2 Planning the installation	11	5.5 Speed calibration	39
2.1 Handbook information	12	5.6 Wind calibration	42
2.2 Installation checklist	12	5.7 Trim tab display calibration	44
2.3 i70 Systems.....	13	5.8 Setup menu	44
2.4 System protocols	17	Chapter 6 Troubleshooting.....	59
2.5 Pack contents.....	18	6.1 Troubleshooting	60
2.6 Tools	19	6.2 Power up troubleshooting	61
Chapter 3 Cables and connections.....	21	6.3 System data troubleshooting.....	62
3.1 General cabling guidance	22	6.4 Miscellaneous troubleshooting	63
3.2 Connections overview	23		

Chapter 7 Technical support	65
7.1 Raymarine customer support	66
7.2 Viewing product information	66
Chapter 8 Technical specification.....	67
8.1 Technical specification.....	68
Chapter 9 Options and accessories	69
9.1 SeaTalk ^{ng} cables and accessories	70
9.2 Converters.....	71
9.3 SeaTalk accessories.....	71
9.4 Spares and accessories	72

Chapter 1: Important information



Warning: Product installation and operation

This product must be installed and operated in accordance with the instructions provided. Failure to do so could result in personal injury, damage to your vessel and/or poor product performance.



Warning: Switch off power supply

Ensure the vessel's power supply is switched OFF before starting to install this product. Do NOT connect or disconnect equipment with the power switched on, unless instructed in this document.



Warning: Product grounding

Before applying power to this product, ensure it has been correctly grounded, in accordance with the instructions in this guide.

Caution: Power supply protection

When installing this product ensure the power source is adequately protected by means of a suitably-rated fuse or automatic circuit breaker.

Caution: Use the sun covers

To protect your product against the damaging effects of ultra violet light, always fit the sun covers when the product is not in use.

Caution: Cleaning

When cleaning this product:

- Do NOT wipe the display screen with a dry cloth, as this could scratch the screen coating.
- Do NOT use abrasive, or acid or ammonia based products.
- Do NOT use a jet wash.

TFT LCD Displays

The colors of the display may seem to vary when viewed against a colored background or in colored light. This is a perfectly normal effect that can be seen with all color Liquid Crystal Displays (LCDs).

In common with all Thin Film Transistor (TFT) LCD units, the screen may exhibit a few (less than 7) wrongly illuminated pixels. These may appear as black pixels in a light area of the screen or as colored pixels in black areas.

Water ingress

Water ingress disclaimer

Although the waterproof rating capacity of Raymarine products exceeds that called for by the IPX6 standard, water intrusion and subsequent equipment failure may occur if any Raymarine equipment is subjected to commercial high pressure washing. Raymarine will not warrant equipment subjected to high pressure washing.

Disclaimers

This product (including the electronic charts) is intended to be used only as an aid to navigation. It is designed to facilitate use of official government charts, not replace them. Only official government charts and notices to mariners contain all the current information needed for safe navigation, and the captain is responsible for their prudent use. It is the user's responsibility to use official government charts, notices to mariners, caution and proper navigational skill when operating this or any other Raymarine product. This product supports electronic charts provided by third party data suppliers which may be embedded or stored on memory card. Use of such charts is subject to the supplier's End-User Licence Agreement included in the documentation for this product or supplied with the memory card (as applicable).

Raymarine does not warrant that this product is error-free or that it is compatible with products manufactured by any person or entity other than Raymarine.

This product uses digital chart data, and electronic information from the Global Positioning System (GPS) which may contain errors. Raymarine does not warrant the accuracy of such information and you are advised that errors in such information may cause the product to malfunction. Raymarine is not responsible for damages or injuries caused by your use or inability to use the product, by the interaction of the product with products manufactured by others, or by errors in chart data or information utilized by the product and supplied by third parties.

EMC installation guidelines

Raymarine equipment and accessories conform to the appropriate Electromagnetic Compatibility (EMC) regulations, to minimize electromagnetic interference between equipment and minimize the effect such interference could have on the performance of your system

Correct installation is required to ensure that EMC performance is not compromised.

For **optimum** EMC performance we recommend that wherever possible:

- Raymarine equipment and cables connected to it are:
 - At least 1 m (3 ft) from any equipment transmitting or cables carrying radio signals e.g. VHF radios, cables and antennas. In the case of SSB radios, the distance should be increased to 7 ft (2 m).
 - More than 2 m (7 ft) from the path of a radar beam. A radar beam can normally be assumed to spread 20 degrees above and below the radiating element.
- The product is supplied from a separate battery from that used for engine start. This is important to prevent erratic behavior and data loss which can occur if the engine start does not have a separate battery.
- Raymarine specified cables are used.
- Cables are not cut or extended, unless doing so is detailed in the installation manual.

Note: Where constraints on the installation prevent any of the above recommendations, always ensure the maximum possible separation between different items of electrical equipment, to provide the best conditions for EMC performance throughout the installation

Suppression ferrites

Raymarine cables may be fitted with suppression ferrites. These are important for correct EMC performance. If a ferrite has to be removed for any purpose (e.g. installation or maintenance), it must be replaced in the original position before the product is used.

Use only ferrites of the correct type, supplied by Raymarine authorized dealers.

Connections to other equipment

Requirement for ferrites on non-Raymarine cables

If your Raymarine equipment is to be connected to other equipment using a cable not supplied by Raymarine, a suppression ferrite MUST always be attached to the cable near the Raymarine unit.

Declaration of conformity

Raymarine Ltd. declares that this product is compliant with the essential requirements of EMC directive 2004/108/EC.

The original Declaration of Conformity certificate may be viewed on the relevant product page at www.raymarine.com.

Product disposal

Dispose of this product in accordance with the WEEE Directive.



■ The Waste Electrical and Electronic Equipment (WEEE) Directive requires the recycling of waste electrical and electronic equipment. Whilst the WEEE Directive does not apply to some Raymarine products, we support its policy and ask you to be aware of how to dispose of this product.

Warranty registration

To register your Raymarine product ownership, please visit www.raymarine.com and register online.

It is important that you register your product to receive full warranty benefits. Your unit package includes a bar code label indicating the serial number of the unit. You will need this serial number when registering your product online. You should retain the label for future reference.

IMO and SOLAS

The equipment described within this document is intended for use on leisure marine boats and workboats not covered by International Maritime Organization (IMO) and Safety of Life at Sea (SOLAS) Carriage Regulations.

Technical accuracy

To the best of our knowledge, the information in this document was correct at the time it was produced. However, Raymarine cannot accept liability for any inaccuracies or omissions it may contain. In addition, our policy of continuous product improvement may change specifications without notice. As a result, Raymarine cannot accept liability for any differences between the product and this document.

Chapter 2: Planning the installation

Chapter contents

- 2.1 Handbook information on page 12
- 2.2 Installation checklist on page 12
- 2.3 i70 Systems on page 13
- 2.4 System protocols on page 17
- 2.5 Pack contents on page 18
- 2.6 Tools on page 19

2.1 Handbook information

This handbook contains important information regarding the i70 instrument display.

i70 Handbooks

The i70 Instrument has the following handbooks available:

i70 Handbooks

Description	Part number
Installation and commissioning instruction	87131
Operating instructions (quick reference)	86141
User reference handbook	81330
Mounting template	87130

Additional handbooks

Description	Part number
SeaTalk ^{ng} reference manual	81300

The latest version of documents are available to download as PDF's from www.raymarine.com.

Please check the website to ensure you have the latest version.

2.2 Installation checklist

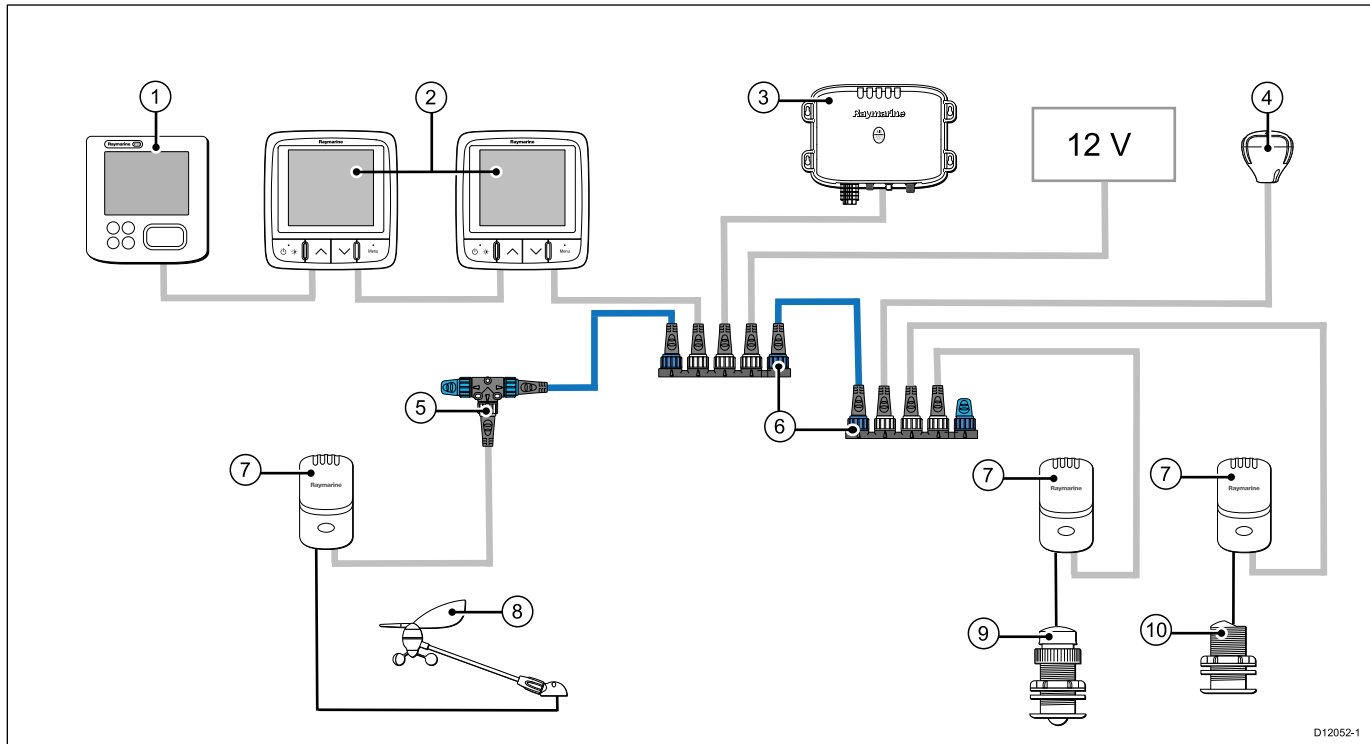
Installation includes the following activities:

Installation Task	
1	Plan your system
2	Obtain all required equipment and tools
3	Site all equipment
4	Route all cables.
5	Drill cable and mounting holes.
6	Make all connections into equipment.
7	Secure all equipment in place.
8	Power on test the system.

2.3 i70 Systems

The i70 display can be connected to a variety of equipment as part of your marine electronics system.

Basic SeaTalk^{ng} system example

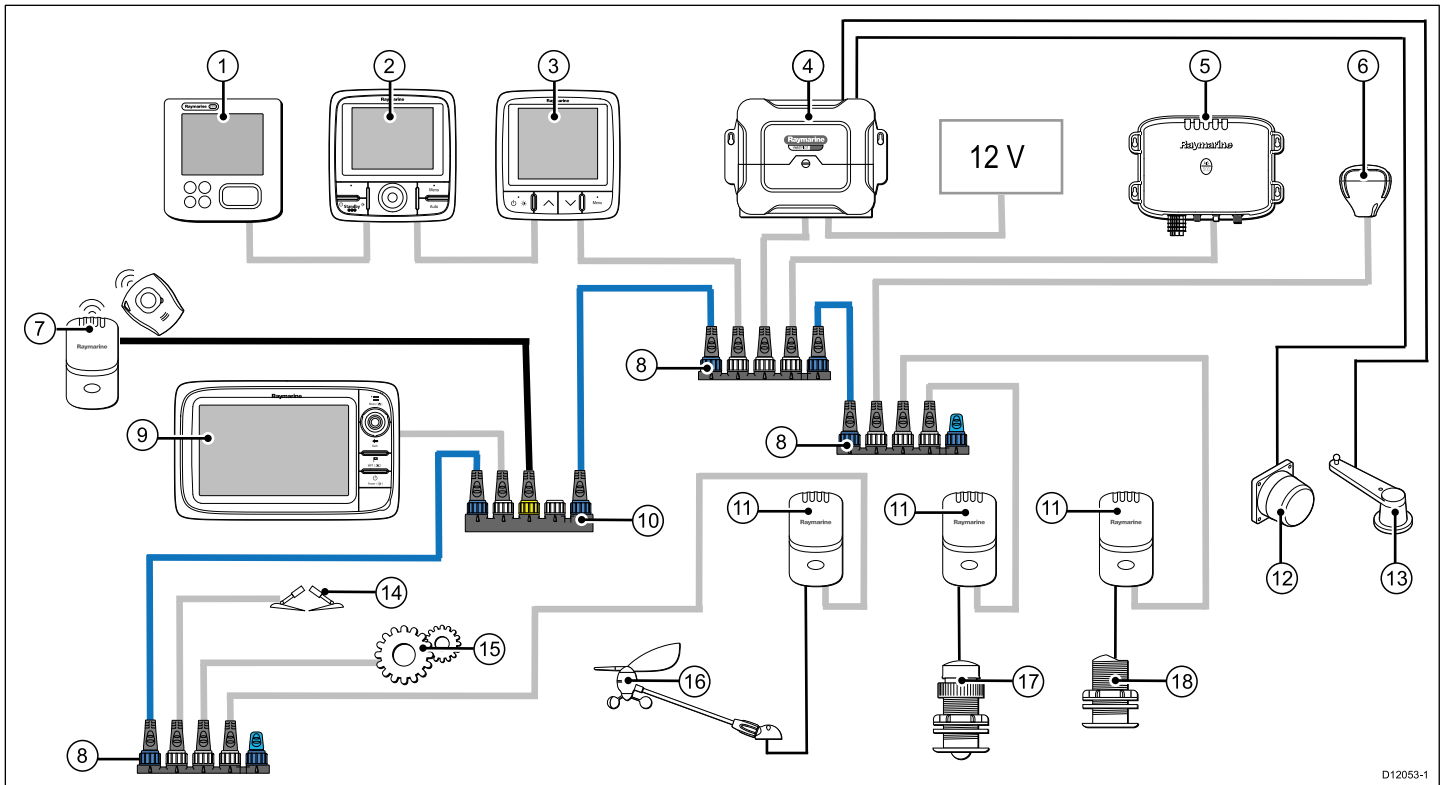


D12052-1

Note: The i70 has the capability of connecting to SeaTalk or SeaTalk^{ng} networks however if data bridging is required a SeaTalk to SeaTalk^{ng} converter is needed.

Item	Description
1.	ST70 Instrument display.
2.	2 x i70 Instrument displays.
3.	AIS receiver/transceiver
4.	SeaTalk ^{ng} GPS receiver
5.	SeaTalk ^{ng} T-Piece connector
6.	SeaTalk ^{ng} 5-way connectors
7.	Transducer pods
8.	Wind transducer
9.	Speed transducer
10.	Depth transducer

Extended SeaTalk^{ng} system example



D12053-1

Note: The system allows up to 3 instrument displays to be daisy chained as shown in the example above.

Item	Description
1.	ST70 Instrument display
2.	p70r Pilot Controller
3.	i70 Instrument display
4.	SPX course computer (supplying 12V power to SeaTalk ^{ng} network.)
5.	AIS receiver/transceiver
6.	SeaTalk ^{ng} GPS receiver
7.	Man Over Board (connected via SeaTalk to SeaTalk ^{ng} converter.)
8.	SeaTalk ^{ng} 5-way connectors
9.	Multifunction display
10.	SeaTalk to SeaTalk ^{ng} converter
11.	Transducer pods
12.	Fluxgate compass
13.	Rudder reference transducer
14.	Trim tab control
15.	Engine via devicenet spur
16.	Wind vane transducer
17.	Speed transducer
18.	Depth transducer

2.4 System protocols

Your product can be connected to various products and systems to share information and so improve the functionality of the overall system. These connections may be made using a number of different protocols. Fast and accurate data collection and transfer is achieved by using a combination of the following data protocols:

- SeaTalk^{ng}
- NMEA 2000
- SeaTalk

Note: You may find that your system does not use all of the connection types or instrumentation described in this section.

Seataalk^{ng}

SeaTalk^{ng} (Next Generation) is an enhanced protocol for connection of compatible marine instruments and equipment. It replaces the older SeaTalk and SeaTalk² protocols.

SeaTalk^{ng} utilizes a single backbone to which compatible instruments connect using a spur. Data and power are carried within the backbone. Devices that have a low draw can be powered from the network, although high current equipment will need to have a separate power connection.

SeaTalk^{ng} is a proprietary extension to NMEA 2000 and the proven CAN bus technology. Compatible NMEA 2000 and SeaTalk / SeaTalk² devices can also be connected using the appropriate interfaces or adaptor cables as required.

NMEA 2000

NMEA 2000 offers significant improvements over NMEA 0183, most notably in speed and connectivity. Up to 50 units can simultaneously transmit and receive on a single physical bus at any one time, with each node being physically addressable. The standard

was specifically intended to allow for a whole network of marine electronics from any manufacturer to communicate on a common bus via standardized message types and formats.

SeaTalk

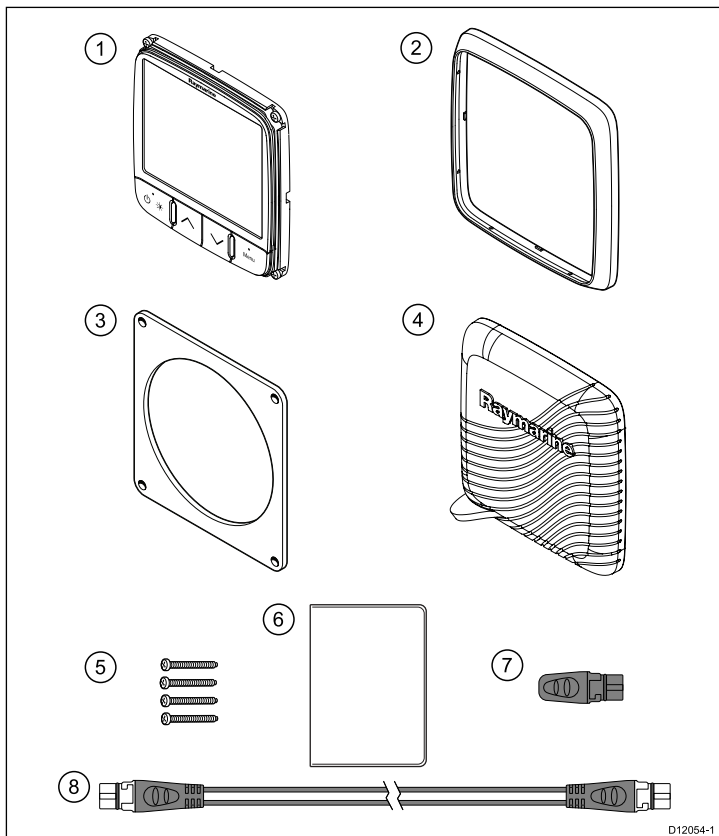
SeaTalk is a protocol which enables compatible instruments to connect to each other and share data.

The SeaTalk cable system is used to connect compatible instruments and equipment. The cable carries power and data and enables connection without the need for a central processor.

Additional instruments and functions can be added to a SeaTalk system, simply by plugging them into the network. SeaTalk equipment can also communicate with other non-SeaTalk equipment via the NMEA 0183 standard, provided a suitable interface is used.

2.5 Pack contents

All models contain the following items:

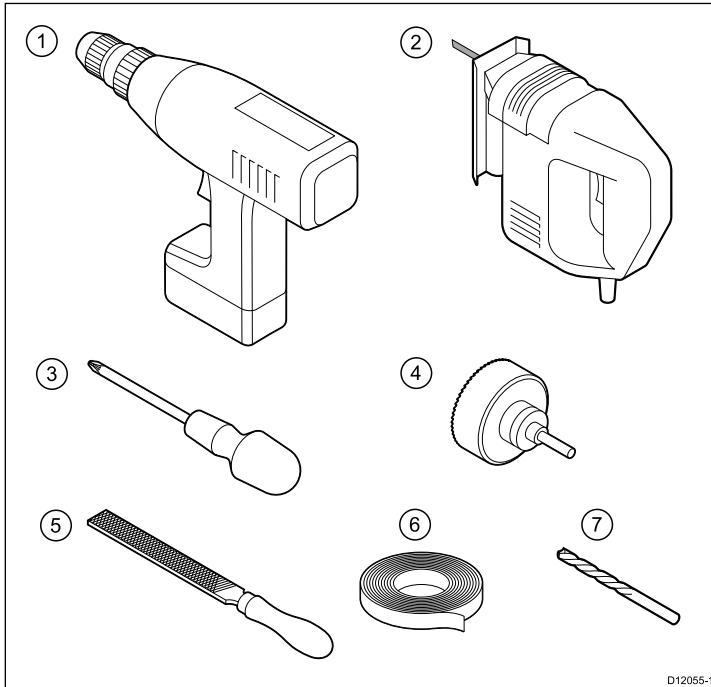


Number	Description
1	i70 Instrument display
2	Bezel
3	Gasket
4	Suncover
5	4 x screws
6	Document pack, includes: <ul style="list-style-type: none">• Multilingual CD (including User Reference manual)• Mounting template• Installation and commissioning instructions• Quick reference• Warranty registration card
7	SeaTalk ^{ng} Blanking plug
8	SeaTalk ^{ng} Spur Cable

Unpack the display unit carefully to prevent damage. Save the carton and packing in case the unit has to be returned for service.

2.6 Tools

Tools required for installation



5.	File
6.	Adhesive tape
7.	Drill bit of appropriate size*

Note: *Drill bit size is dependent on the thickness and type of material that the unit is to be mounted on.

1.	Power drill
2.	Jig saw
3.	Screwdriver
4.	Suitable size (10 mm to 30 mm) hole cutter

Chapter 3: Cables and connections

Chapter contents

- [3.1 General cabling guidance on page 22](#)
- [3.2 Connections overview on page 23](#)
- [3.3 SeaTalk^{ng} connections on page 24](#)
- [3.4 SeaTalk connection on page 25](#)
- [3.5 NMEA2000 connection on page 26](#)
- [3.6 Transducer connections on page 27](#)

3.1 General cabling guidance

Cable types and length

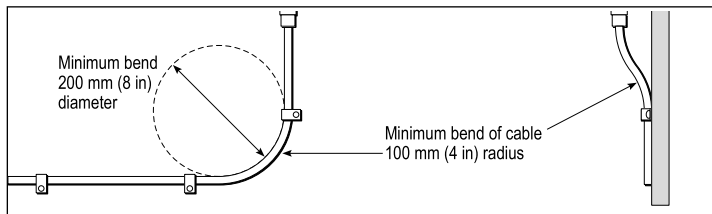
It is important to use cables of the appropriate type and length

- Unless otherwise stated use only standard cables of the correct type, supplied by Raymarine.
- Ensure that any non-Raymarine cables are of the correct quality and gauge. For example, longer power cable runs may require larger wire gauges to minimize voltage drop along the run.

Routing cables

Cables must be routed correctly, to maximize performance and prolong cable life.

- Do NOT bend cables excessively. Wherever possible, ensure a minimum bend radius of 100 mm.



- Protect all cables from physical damage and exposure to heat. Use trunking or conduit where possible. Do NOT run cables through bilges or doorways, or close to moving or hot objects.
- Secure cables in place using tie-wraps or lacing twine. Coil any extra cable and tie it out of the way.
- Where a cable passes through an exposed bulkhead or deckhead, use a suitable watertight feed-through.
- Do NOT run cables near to engines or fluorescent lights.

Always route data cables as far away as possible from:

- other equipment and cables,
- high current carrying ac and dc power lines,
- antennae.

Strain relief

Ensure adequate strain relief is provided. Protect connectors from strain and ensure they will not pull out under extreme sea conditions.

Circuit isolation

Appropriate circuit isolation is required for installations using both AC and DC current:

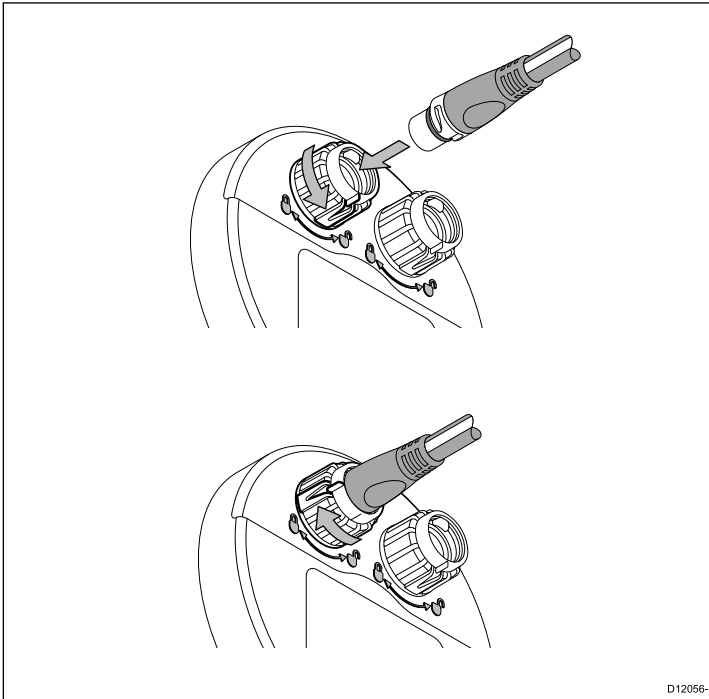
- Always use isolating transformers or a separate power-inverter to run PC's, processors, displays and other sensitive electronic instruments or devices.
- Always use an isolating transformer with Weather FAX audio cables.
- Always use an isolated power supply when using a 3rd party audio amplifier.
- Always use an RS232/NMEA converter with optical isolation on the signal lines.
- Always make sure that PC's or other sensitive electronic devices have a dedicated power circuit.

Cable shielding

Ensure that all data cables are properly shielded that the cable shielding is intact (e.g. hasn't been scraped off by being squeezed through a tight area).

3.2 Connections overview

Cable connectors are on the rear of the product.



The unit has 2 x SeaTalk^{ng} connectors.

Connecting SeaTalk^{ng} cables

1. Rotate the locking collar on the back of the unit to the UNLOCKED position.
2. Ensure the spur cable end connector is correctly oriented.

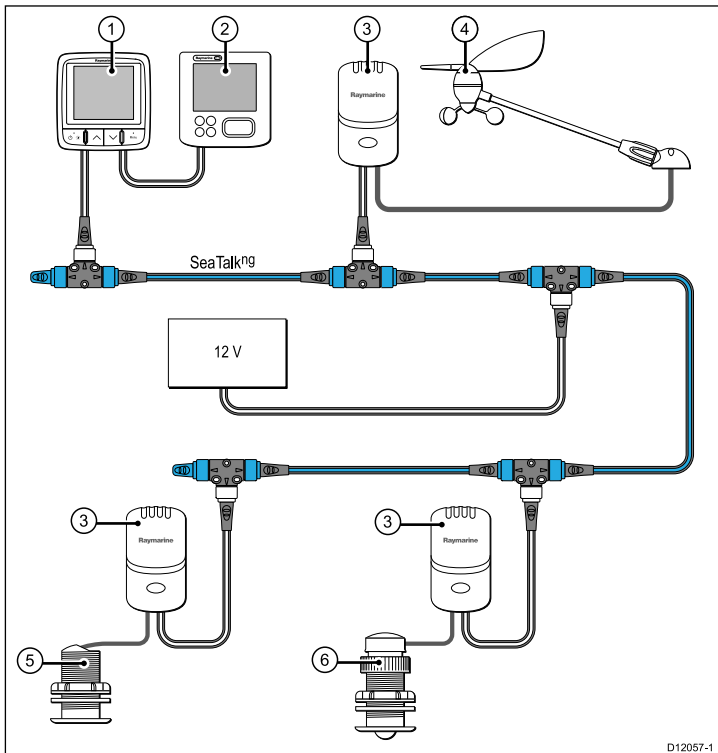
3. Fully insert the cable connector.
4. Rotate locking collar clockwise (2 clicks) until it snaps into the LOCKED position.

3.3 SeaTalk^{ng} connections

The instrument display can connect as part of a SeaTalk^{ng} network. The display can use SeaTalk^{ng} to communicate with:

- SeaTalk^{ng} instruments (e.g. ST70).
- Transducer pods (e.g. ST70 pods)

SeaTalk^{ng} system



Item	Description
1.	i70 Instrument display
2.	ST70 Instrument display
3.	Transducer pods
4.	Wind transducer
5.	Depth transducer
6.	Speed transducer

SeaTalk^{ng} cabling

SeaTalk^{ng} cables and connectors

Connection / Cable	Notes
Backbone cables (various lengths)	The main cable carrying data. Spurs from the backbone are used to connect SeaTalk ^{ng} devices.
T-piece connectors	Used to make junctions in the backbone to which devices can then be connected.
Terminators	Required at either end of the backbone.
Spur cables	Used to connect devices. Devices may be daisy chained or connected directly to the T-pieces
SeaTalk ^{ng} 5-way connector	Used to branch, split, or make additional connections in SeaTalk ^{ng} networks.

SeaTalk^{ng} power

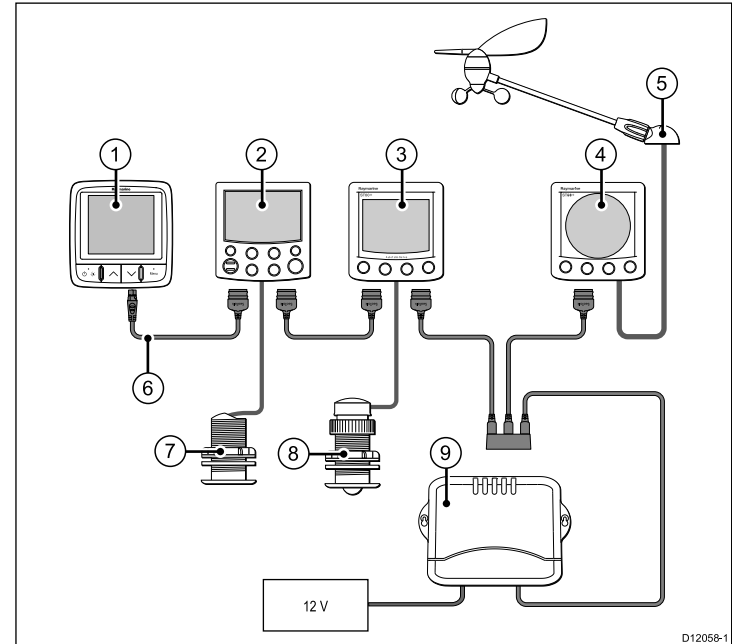
The SeaTalk^{ng} bus requires a 12 V power supply. This may be provided from:

- Raymarine SPX course computer, or
- Other separate regulated 12 V supply.

Note: SeaTalk^{ng} does NOT supply power to multifunction displays and other equipment with a dedicated power supply input.

3.4 SeaTalk connection

Connections to an existing SeaTalk system must be made using either a SeaTalk to SeaTalk^{ng} adaptor cable or a SeaTalk to SeaTalk^{ng} converter (not supplied).



Item	Description
1.	i70 Instrument display
2.	ST6002 Pilot controller
3.	ST60+ Speed instrument

Item	Description
4.	ST60+ Wind instrument
5.	Wind transducer
6.	SeaTalk to SeaTalk ^{ng} Adaptor cable
7.	Depth transducer
8.	Speed transducer
9.	Course computer

For SeaTalk cables and extensions, use Raymarine SeaTalk cable accessories.

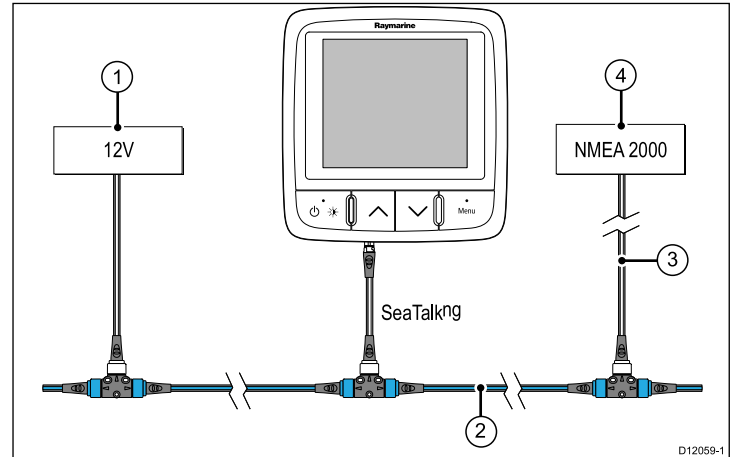
3.5 NMEA2000 connection

You can either:

- Use your SeaTalk^{ng} backbone and connect each NMEA2000 device on a spur, OR
- connect the instrument display on a spur into an existing NMEA2000 backbone.

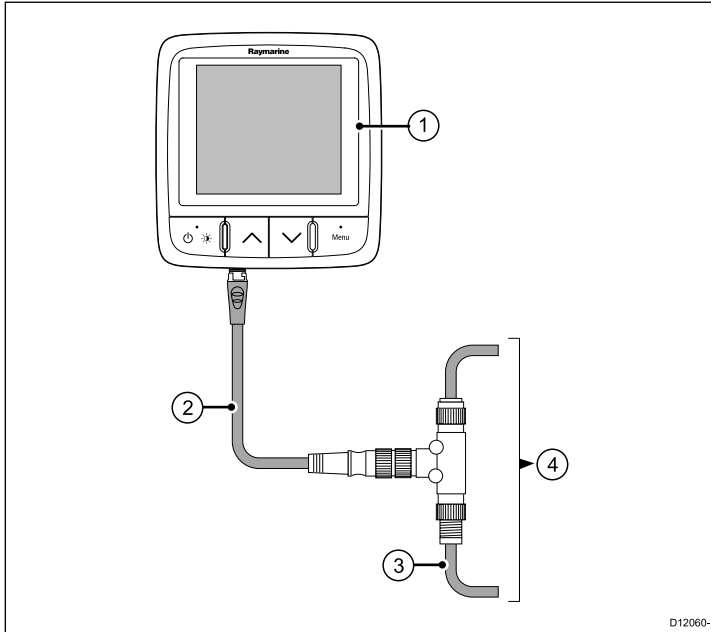
Important: You cannot have any 2 terminated backbones connected together, unless you have an isolation gateway between the two backbones.

Connecting NMEA2000 equipment to the SeaTalk^{ng} backbone



1. 12 V supply into backbone.
2. SeaTalk^{ng} backbone.
3. SeaTalk^{ng} to DeviceNet adaptor cable.
4. NMEA2000 equipment.

Connecting the display to an existing NMEA2000 (DeviceNet) backbone



D12060-1

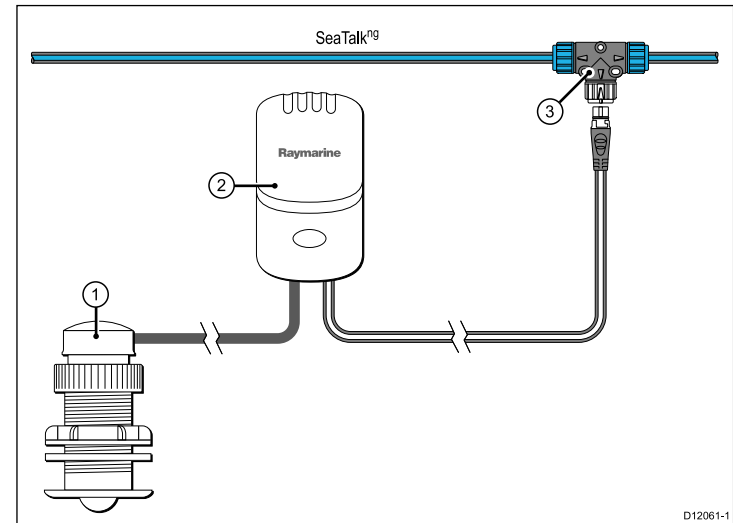
1. i70 instrument display
2. SeaTalk^{ng} to DeviceNet adaptor cable.
3. DeviceNet backbone.
4. NMEA2000 equipment.

3.6 Transducer connections

Transducer installation ST70 pod

Transducer pods are available for wind, depth and speed. For detailed installation instructions refer to documentation supplied with pods.

- Fit transducers to pods. Pod terminals are color-coded, so ensure that each wire is connected to the correspondingly-colored connector.
- Fit each pod to the SeaTalk^{ng} backbone using the 400mm SeaTalk^{ng} spur cable and T piece supplied with each pod. Pods must be located no further than 400mm from their corresponding connection points on the backbone.



D12061-1

Item	Description
1.	Speed transducer
2.	Speed pod
3.	SeaTalk ^{ng} T-Piece connector

Chapter 4: Location and mounting

Chapter contents

- [4.1 Selecting a location on page 30](#)
- [4.2 Mounting on page 31](#)

4.1 Selecting a location

General location requirements

When selecting a location for your display it is important to consider a number of factors.

Key factors which can affect product performance are:

- **Ventilation**

To ensure adequate airflow:

- Ensure that equipment is mounted in a compartment of suitable size.
- Ensure that ventilation holes are not obstructed. Allow adequate separation of equipment.

Any specific requirements for each system component are provided later in this chapter.

- **Mounting surface.**

Ensure equipment is adequately supported on a secure surface. Do not mount units or cut holes in places which may damage the structure of the vessel.

- **Cable entry**

Ensure the unit is mounted in a location which allows proper routing and connection of cables:

- Minimum bend radius of 100 mm (3.94 in) unless otherwise stated.
- Use cable supports to prevent stress on connectors.

- **Water ingress**

The display is suitable for mounting both above and below decks. It is waterproof to IPX6 standard. Although the unit is waterproof, it is good practice to locate it in a protected area away from prolonged and direct exposure to rain and salt spray.

- **Electrical interference**

Select a location that is far enough away from devices that may cause interference, such as motors, generators and radio transmitters/receivers.

- **Magnetic compass**

Select a location that is at least 3 ft (1 m) away from a magnetic compass.

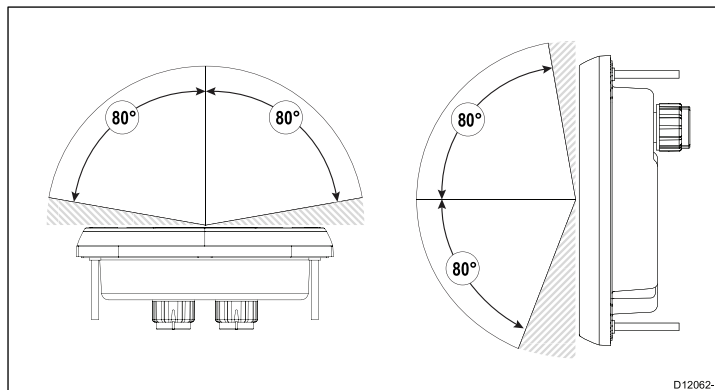
- **Power supply**

Select a location that is as close as possible to the boat's DC power source. This will help to keep cable runs to a minimum

Viewing angle considerations

As display contrast, color and night mode performance are all affected by the viewing angle, Raymarine recommends you temporarily power up the display when planning the installation, to enable you to best judge which location gives the optimum viewing angle.

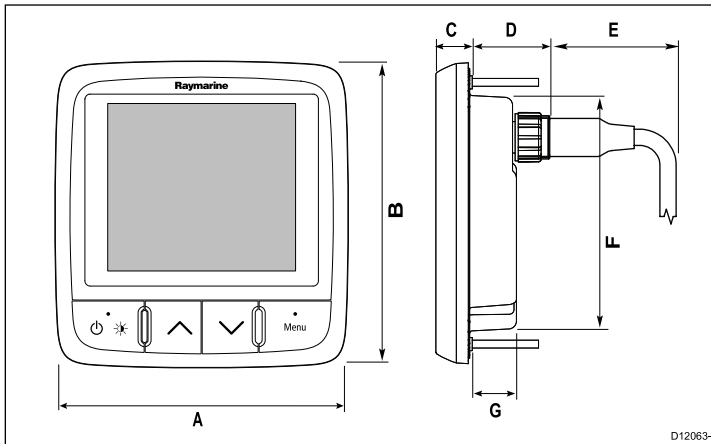
Viewing angle



Note: The angles are provided for a contrast ratio of equal to or greater than 10.

Unit dimensions

I70 dimensions



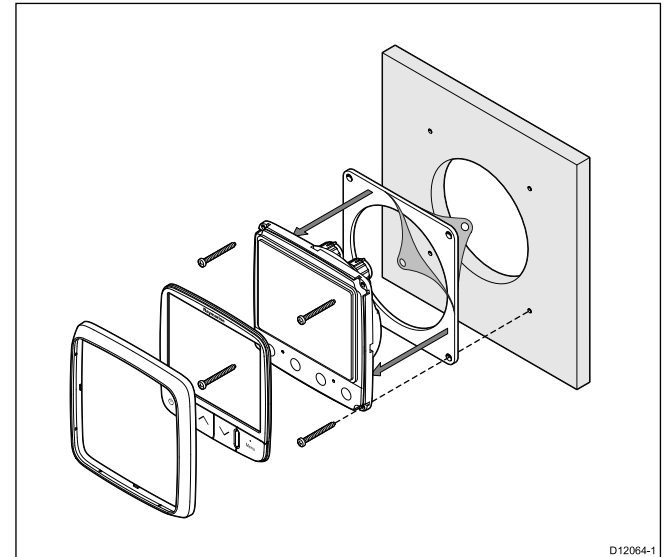
Item	Description
A.	110 mm (4.33")
B.	115 mm (4.52")
C.	14 mm (0.55")
D.	30 mm (1.18")
E.	35 mm (1.38")
F.	90 mm (3.54")
G.	17 mm (0.67")

4.2 Mounting

The product is designed to be flush mounted.

Before mounting the unit, ensure that you have:

- Selected a suitable location.
- Identified the cable connections and route that the cable will take.
- Detached the front bezel.



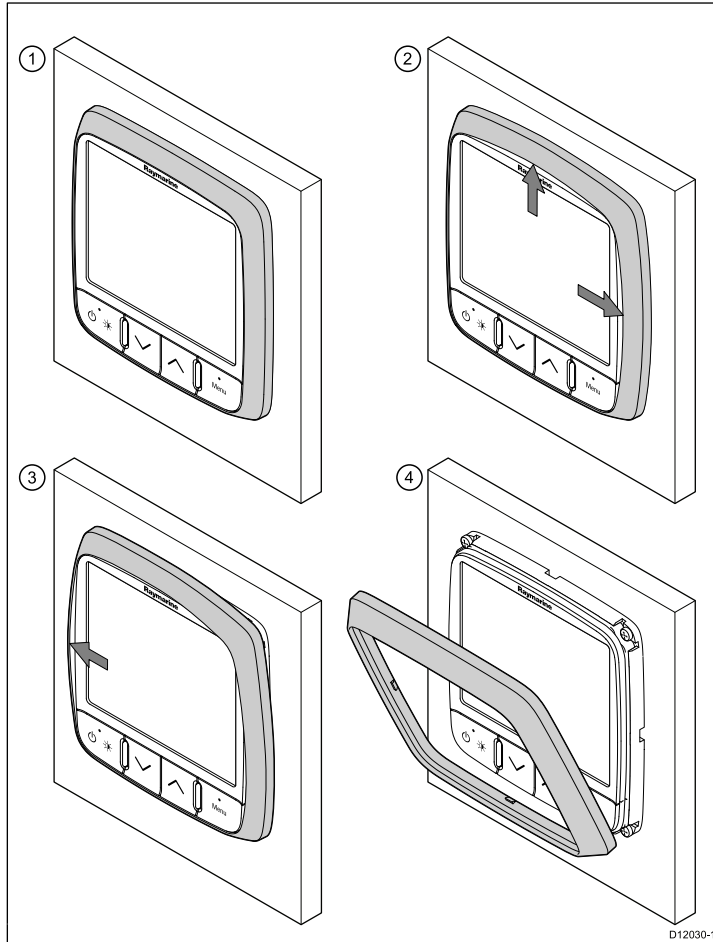
1. Check the selected location for the unit. A clear, flat area with suitable clearance behind the panel, is required.
2. Fix the appropriate cutting template supplied with the product, to the selected location, using masking or self-adhesive tape.
3. Using a suitable hole saw, make a pilot holes in each corner of the cut-out area.
4. Using a suitable saw, cut along the inside edge of the cut-out line.

5. Ensure that the unit fits into the removed area and then file around the cut edge until smooth.
6. Drill four holes as indicated on the template to accept the securing screws.
7. Peel the backing off of the gasket, and place the adhesive side of the gasket onto the display unit and press firmly onto the flange.
8. Connect cables to the unit.
9. Slide the unit into place and secure using screws provided.

Note: Drill, and tap size and tightening torque is dependent on the material type and thickness the unit is to be mounted on.

Front bezel

Removing the front bezel



Important: Use care when removing the bezel. Do not use any tools to lever the bezel, doing so may cause damage.

1. Using your fingers pull the bezel away from the unit at the top and side, as shown in 2.
The bezel will start to come away from the unit at the top and side.
2. Now pull the bezel away from the unit on the opposite side, as shown in 3.
The bezel will now come free from the unit, as shown in 4.

Chapter 5: System checks

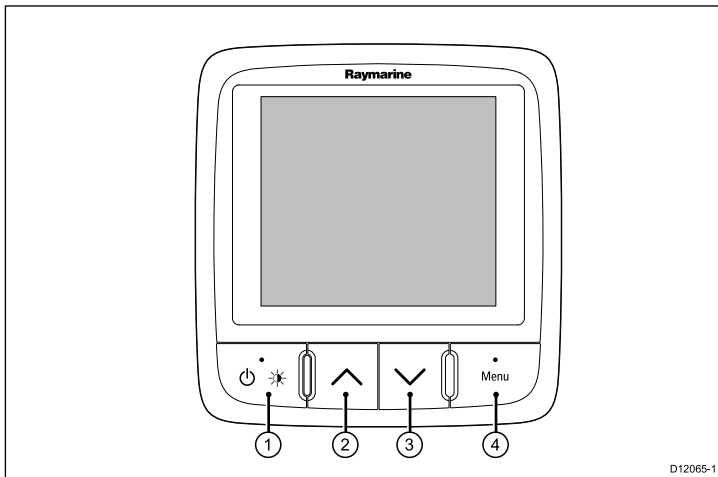
Chapter contents

- 5.1 Initial power on test on page 36
- 5.2 Using the setup wizard on page 37
- 5.3 Transducer calibration on page 37
- 5.4 Depth calibration on page 38
- 5.5 Speed calibration on page 39
- 5.6 Wind calibration on page 42
- 5.7 Trim tab display calibration on page 44
- 5.8 Setup menu on page 44

5.1 Initial power on test

Instrument controls

Control layout and functions.



D12065-1

Item	Description
1.	LEFT SOFT BUTTON Power, brightness, cancel, back
2.	UP ARROW Up navigation, Adjust Up
3.	DOWN ARROW Down navigation, Adjust Down
4.	RIGHT SOFT BUTTON Menu, select, OK, Save

Powering the display on

Turning on the display

1. Press and hold the **LEFT SOFT** button for one second until the Raymarine logo appears.

If the unit is being switched on for the first time or after a factory reset the setup wizard will be launched.

Note: The Raymarine logo is not displayed if the unit is in 'sleep mode', the unit may appear off but still has power.

Powering the display off

1. From any favorite page press and hold the **LEFT SOFT** button. After 1 second a power down pop up will appear.
2. Continue to hold the **LEFT SOFT** button for a further 3 seconds to complete the power off

5.2 Using the setup wizard

First Install Setup Wizard

The setup wizard will take you through: language, and vessel type selection, you will then see the welcome screen.

1. Highlight the required language using the **UP** and **DOWN** buttons and then press **SELECT**.
2. Highlight the required vessel type using the **UP** and **DOWN** buttons and then press **SELECT**.

The welcome screen shall now be displayed and your choices have been saved.

3. Press the **OK** button to complete the setup.

You will now be taken to page 1 of the pre-defined favorites pages which were determined by the vessel type selection.

Note: Language and vessel type selection may be skipped if the settings are already available on the system.

5.3 Transducer calibration

Setting up transducers

The Transducer setup menu is used to calibrate the transducers and sensors which are the source of much of the instrument data.

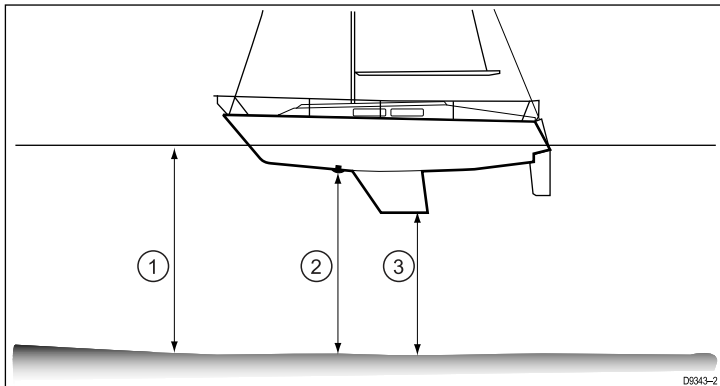
1. From the main menu select **Set up** and press the **SELECT** button.
2. Select **Transducer setup** and press the **CONTINUE** button.
The i70 will search for transducers connected to the system and display the results of the search as a list.
3. Highlight the transducer you wish to setup.
4. Press the **SELECT** button to proceed and setup the parameters for that transducer.

5.4 Depth calibration

Depth Offset

Depths are measured from the transducer to the sea bed, but you can apply an offset value to the depth data, so that the displayed depth reading represents the depth to the sea bed from either the keel or the waterline.

Before attempting to set a waterline or keel offset, find out the vertical separation between the transducer and either the waterline or the bottom of the keel on your vessel, as appropriate. Then use the depth instrument to set the appropriate offset value.



1	Waterline offset
2	Transducer / Zero offset
3	Keel offset

If an offset is not applied, displayed depth readings represent the distance from the transducer to the sea bed.

Setting the depth offset

1. From the relevant conventional or smart transducer page highlight and select **Depth offset**,
 2. Highlight and select **Depth from**.
You will now set the position that depth shall be monitored from on the vessel.
 3. Highlight and select from the following choices:
 - Keel
 - Transducer
 - Waterline
- After selecting you will be returned to the **Depth Offset** page.
4. Highlight and select **Offset**.
 5. Use the **UP** and **DOWN** buttons to adjust the offset to the required value.
 6. Press **SAVE** to save the offset value.

Note: Incorrect depth offset may lead to vessel running aground.

5.5 Speed calibration

Speed calibration involves aligning the log speed (Speed Through Water) to the Speed over ground (SOG), under calm tide conditions.

The object of speed calibration is to ensure that the speed readings at the instruments are true indications of the vessel speed, ideally over the speed range of the vessel, i.e. from stationary to top speed.

In order to take into account the changes in water-flow characteristics across the hull, for different speeds, it is advisable to carry out speed calibration at as many speeds as possible. This is particularly important for planing vessels.

Conventional Speed transducers have a maximum of five calibration speeds, and smart transducers (e.g. DST800) have up to eight. The correct calibration at each speed is achieved by applying a calibration factor to the indicated speed reading.

In order to achieve accurate results, speed calibration must be carried out in calm conditions with zero tide and zero current.

Calibrating speed (conventional transducers)

If you do not have a GPS connected to your system to obtain SOG data from please proceed to the *Calibrating speed manually* section.

- You will need an accurate speed over ground (SOG) value, e.g. determined from a GPS connected into your system.
- You will need to be underway, with sufficient space to maneuver unhindered.
- Conditions should be calm with zero tide and zero current.

Note: It is important that there is no tide. The affect of tidal current would be to prevent an accurate speed calibration.

1. From the Transducers found page highlight and select **Speed**.
2. Highlight and select **Speed Calibration**.
You will see 5 calibration speeds provided by the system
3. Calibrate each speed setting as follows, starting with the lowest:

- i. Highlight and select the required calibration speed.
 - ii. Adjust your vessel speed until the SOG is at the desired calibration speed.
 - iii. Adjust the calibration factor using the **UP** and **DOWN** buttons, until the SOG and Speed reading are the same.
 - iv. When complete press **SAVE** to save the settings and return to the **Speed Calibration** menu.
4. Repeat this for each calibration speed valid for your vessel.

Speeds which fall outside your vessel's capability need not be calibrated.

Calibrating speed (smart transducers)

A DST (Depth, Speed, Temperature) smart transducer is calibrated to a set of 6 default speeds. These provide acceptable transducer performance in most circumstances. However you can insert and delete different calibration speeds, up to a maximum of 8, to provide a range of speed values to best suit the way your vessel will be used.

- You will need an accurate Speed over ground (SOG) value, e.g. determined from a GPS connected into your SeaTalk^{ng} system.
- You will need to be underway, with sufficient space to maneuver unhindered.
- Conditions should be calm water with a slack tide.

Note: It is important that there is no tide. The affect of tidal current would be to prevent an accurate speed calibration.

You can set up to 8 calibration points across the full speed range for your vessel.

1. From the relevant conventional or smart transducer page Highlight and select **Speed Calibration**.
The screen will display the list of speeds to which the transducer is calibrated

2. Highlight and select each calibration speed to display the calibration **options** menu, which will show the following options:
 - **Add using SOG** — To add a speed value to the list of calibration speeds.
 - **Add** — To add a speed value to the list of calibration speeds without using SOG.
 - **Delete point** — To remove a speed value from the list of calibration speeds.
 - **Edit** — To edit a speed value in the list of calibration speeds.
 - **Reset** — To reset the calibration to its factory default.

3. Add using SOG.

When adding a point you will see the following:

- Current vessel speed over ground (SOG).
 - DST Frequency (provided for information only).
- i. Adjust your vessel speed until the SOG is at the desired calibration speed.
 - ii. Press **OK** to confirm the calibration speed entry.
 - iii. Repeat this for each calibration speed appropriate for your vessel.

4. Add

- i. Use the **UP** and **DOWN** buttons to set the paddlewheel frequency at which to add a calibration point.
- ii. Press **NEXT**.
- iii. Use the **UP** and **DOWN** buttons to set the correct vessel speed at the paddlewheel frequency chosen.
- iv. Press **OK**.

5. Delete point

- i. Press **YES** to confirm and delete the selected speed.
- ii. Press **NO** to ignore any changes and return to the list of calibration speeds.

6. Edit.

- i. Use the **UP** and **DOWN** buttons to adjust the current speed value.
- ii. Press **SELECT** to confirm change and return to the list of calibration speeds.

7. Reset

- i. In order to reset the DST to factory default settings press the **YES** key.
- ii. To return to the previous screen without resetting press the **NO**.

Note: Resetting to factory defaults will remove any saved custom settings.

8. When you have completed the speed calibration, press **BACK** to return the relevant transducer page

Calibrating speed manually

You only need to carry out a manual speed calibration if SOG data is not available. If you have successfully calibrated your system using SOG data, ignore this manual procedure.

1. From the Transducers found page highlight and select the relevant conventional or smart transducer.
2. Highlight and select **Speed Calibration**.
You will see various calibration speeds provided by the system (up to 5 for conventional transducers and up to 8 for smart transducers).
3. You will need to calibrate each calibration speed, starting with the lowest, highlight the calibration speed and press **SELECT**.
4. In calm conditions with zero tide and zero current, run your vessel at a steady speed, approximately that of the selected calibration speed, over a measured distance, making a note of:
 - The current speed value.
 - The time it takes to cover the measured distance.

5. Calculate the actual speed over the measured distance (distance/time).
 6. If the calculated speed is:
 - The same as the current speed value, (noted during the calibration run) then the calibration is correct at this speed, so proceed to step 8 below.
 - Not the same as the indicated speed:
 - Calculate a new, corrected calibration factor, as follows:

$$\text{new calibration factor} = \frac{\text{actual speed} \times \text{old calibration factor}}{\text{indicated speed}}$$
 - Use the **UP** and **DOWN** buttons to change the calibration factor to the new calculated value.
 7. Repeat steps 4 to 6, until the current speed values displayed during the calibration run is the same as the calculated speed.
 8. Press **SAVE** to save calibration factor and return to the speed calibration page.
 9. Repeat steps 3 to 8 for all calibration speeds.
4. Use the **UP** and **DOWN** buttons to match the displayed temperature at the instrument to that measured by the thermometer.
 5. Press **SAVE** to save the setting.

Calibrating water temperature

You can calibrate the water temperature reading. This is done by matching the temperature displayed by the instrument to a separate reading taken with a thermometer.

You will need a suitable thermometer to measure the water temperature.

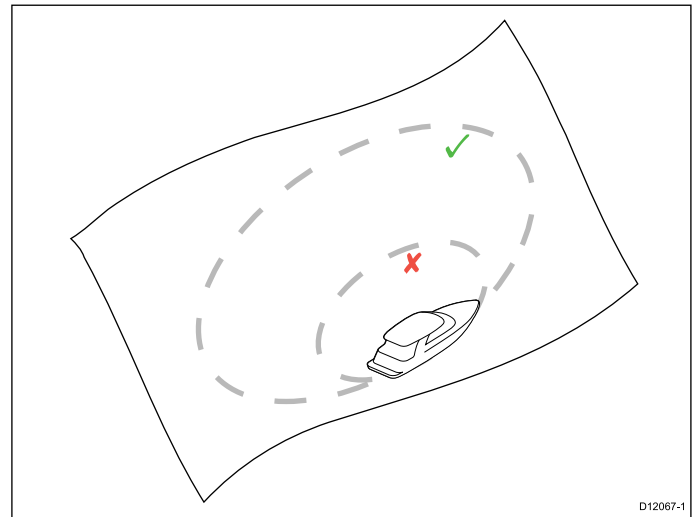
With the list of transducers available displayed, from the **Transducer Setup** menu.

1. Select the relevant conventional or smart transducer.
2. Select **Current Temperature** option.
3. Use a suitable thermometer to measure the water temperature.

5.6 Wind calibration

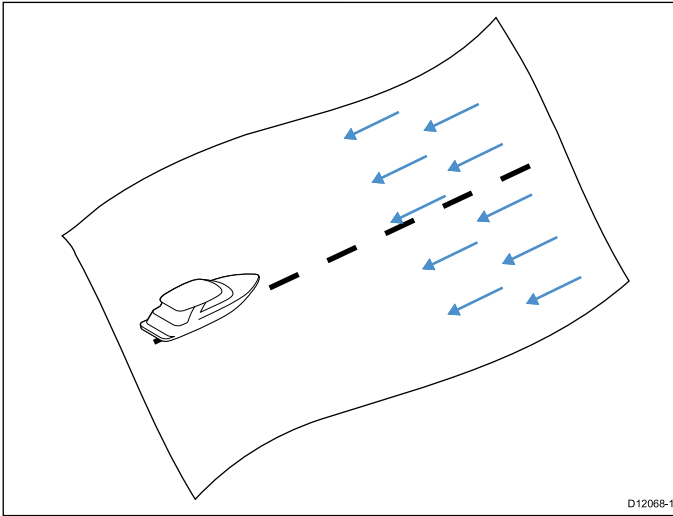
Calibrating wind direction

- You will need to be underway, with sufficient space to turn in a large slow circle unhindered.
 - Conditions should be calm (i.e. a slight sea) and a steady breeze. Try to ensure the vessel is not rolling or pitching too much.
1. From the list of transducers found, highlight and select **Wind**.
 2. Highlight and select **Calibrate Vane**.
 3. Keep the vessel speed below 2kts and observing the screen, start to turn the vessel in a circle, then press **START** to begin the calibration.
 4. Observe the **Calibrate vane** screen and continue to turn the vessel in circles until a **Complete** message is displayed on the screen.
 - If your rate of turn is too fast during calibration, a **slow down** message is displayed. If this happens, reduce your rate of turn this can be achieved by slowing down and / or steering in a wider circle.



5. Press **CONTINUE**.

6. Now steer your vessel directly into the wind and then press **CONTINUE**.



4. Press **SELECT** to save the settings and return to the **Wind** page.

7. If required use the **UP** and **DOWN** buttons to manually adjust the vane offset.
8. Press **SELECT** to complete the calibration process and save the settings.

If required you can manually adjust each part of the calibration steps by selecting the relevant options from the **Wind** menu.

Setting apparent wind speed

In order set the apparent wind speed follow the steps below:

1. From the list of transducers found, highlight and select **Wind**.
2. From the **Wind** page highlight and select **App wind speed**.
3. Using the **UP** and **DOWN** buttons adjust the control to the required setting.

5.7 Trim tab display calibration

Calibrating trim tabs display position

The i70 can display, on screen the position of your vessel's trim tabs, in order for this function to show correct position the trim tab display must be calibrated as shown in the steps below:

1. From the Transducers found page highlight and select **Trim Tabs**.
2. Using the vessel's trim tab control unit move the trim tabs all the way up.
3. Once both trim tabs are fully up press **CONTINUE**.
4. Using the vessel's trim tab control unit move the trim tabs all the way down.
5. Once both trim tabs are fully down press **CONTINUE**.
6. Press **OK** to return to the **Transducer set up** menu.

5.8 Setup menu

The setup menu provides a range of tools and settings to configure the instrument display.

Menu item	Description	Options
Transducer setup	Set up and calibrate transducers as detailed in Transducer calibration section above.	<ul style="list-style-type: none">• Depth• Speed• Wind• DST800• DT800• Trim tabs
User preferences	Set user preferences such as: Time & Date, Units of measurement, Language, Vessel type, Vessel details, and Variation.	<ul style="list-style-type: none">• Time & date• Units• Language• Vessel type• Vessel details• Variation•
System set up	Set system network groups, display and system color and brightness, Multiple data sources and about system setup	<ul style="list-style-type: none">• Network group• Brightness / color group• Multiple data sources• About system setup

Menu item	Description	Options
Simulator	Enables or disables simulator mode, which allows you to practice operating your instrument display without any data from any other external unit.	<ul style="list-style-type: none"> • On • Off
Factory reset	Delete user settings and Restore unit to factory default settings.	<ul style="list-style-type: none"> • Yes • No
Diagnostics	Information About the display and system and key beep on / off setting	<ul style="list-style-type: none"> • About display • About system • Key beep

Transducer setup menu

The **Transducer setup** menu provides the functions to enable setup and calibrate connected transducers.

Menu item	Description	Options
<p>Depth</p>	<p>Enables setup and calibration of depth transducers and provides the following options:</p> <ul style="list-style-type: none"> • Details • Depth offset 	<p>Details displays can supply information about the installed transducer or interface such as Serial No. and Software version etc.</p> <p>Depth offset allows you to set the offset distance so that the displayed depth reading represents the depth to the sea bed from either the keel or the waterline.</p> <ul style="list-style-type: none"> • Depth from: <ul style="list-style-type: none"> – Keel – Transducer – Water line • Offset: <ul style="list-style-type: none"> – 0 to 99 ft, m • About depth offset
<p>Speed</p>	<p>Enables setup and calibration of speed transducers and provides the following options:</p> <ul style="list-style-type: none"> • Details • Speed calibration speed should be calibrated at each of the speed points shown under speed calibration. • Calibrate water temperature 	<p>Details displays can supply information about the installed transducer or interface such as Serial No. and Software version etc.</p> <p>Speed calibration:</p> <ul style="list-style-type: none"> • speed settings are determined by the calibration points stored either in the transducer or the interface unit. <p>Calibrate water temperature:</p> <ul style="list-style-type: none"> • xxx °C or °F

Menu item	Description	Options
Wind	<p>Enables setup and calibration of wind transducers and provides the following options:</p> <ul style="list-style-type: none"> • Wind detail • Calibrate vane • App wind speed calibration 	<p>Details displays information about the installed transducer, Serial No. and Software version etc. Calibrate vane- follow the on screen instructions to calibrate the wind vane. App wind speed:</p> <ul style="list-style-type: none"> • xx kts
DST800	<p>Enables setup and calibration of DST (Depth, Speed, and Temperature) smart transducers and provides the following options:</p> <ul style="list-style-type: none"> • DST800 details • Depth offset • Speed calibration • Temperature offset 	<p>DST800 details displays information about the installed transducer, Serial No. and Software version etc. Depth offset allows you to set the offset distance so that the displayed depth reading represents the depth to the sea bed from either the keel or the waterline.</p> <ul style="list-style-type: none"> • Depth from: <ul style="list-style-type: none"> – Water line – Keel – Transducer • Offset: <ul style="list-style-type: none"> – 0 to 99 ft • About depth offset <p>Speed calibration:</p> <ul style="list-style-type: none"> • Add — adds a new speed setting using current SOG reading. • Edit — edits a speed setting in 0.1 kt increments. • Delete — deletes the selected speed setting. • Reset — resets speed calibration to default settings.

Menu item	Description	Options
		<p>Temperature offset:</p> <ul style="list-style-type: none"> • xxx °C or °F
<p>DT800</p>	<p>Enables setup and calibration of DT (Depth, and Temperature) smart transducers and provides the following options:</p> <ul style="list-style-type: none"> • DT800 details • Depth offset • Temperature offset 	<p>DT800 details displays information about the installed transducer, Serial No. and Software version etc.</p> <p>Depth offset allows you to set the offset distance so that the displayed depth reading represents the depth to the sea bed from either the keel or the waterline.</p> <ul style="list-style-type: none"> • Depth from: <ul style="list-style-type: none"> – Water line – Keel – Transducer • Offset: <ul style="list-style-type: none"> – 0 to 99 ft, m • About depth offset <p>Temperature offset:</p> <ul style="list-style-type: none"> • xxx °C or °F
<p>Trim tabs</p>	<p>Provides on screen instruction on how to setup and calibrate trim tab display position:</p> <ul style="list-style-type: none"> • Trim tabs up • Trim tabs down 	<p>Trim tabs up</p> <ul style="list-style-type: none"> • Click CONTINUE to confirm tabs fully up. • Click CONTINUE to confirm tabs fully down.

User preference menu

The **User preference** menu enables users to customize user settings as detailed in the table below:

Menu item	Description	Options
Time & date	These options enable you to customize the date and time format to your requirements. You can also specify a local time offset from Universal Time Constant (UTC), to compensate for any time zone difference.	<p>Date format:</p> <ul style="list-style-type: none"> • mm/dd/yy • dd/mm/yy <p>Time format:</p> <ul style="list-style-type: none"> • 12hr • 24hr <p>Time offset:</p> <ul style="list-style-type: none"> • -13 to +13 hours
Units	<p>Enables you to specify the units used for the following key measurements:</p> <ul style="list-style-type: none"> • Speed • Distance • Depth • Wind speed • Temperature • Flow rate • Heading • Pressure • Volume • Barometric 	<p>Speed:</p> <ul style="list-style-type: none"> • kts — knots. • mph — miles per hour. • km/h — Kilometres per hour. <p>Distance:</p> <ul style="list-style-type: none"> • nm — Nautical miles. • sm — Statute miles. • km — Kilometres. <p>Depth:</p> <ul style="list-style-type: none"> • ft — Feet • m — Metres • fa — Fathoms

Menu item	Description	Options
		<p>Wind speed:</p> <ul style="list-style-type: none"> • kts — knots. • m/s — metres per second. <p>Temperature:</p> <ul style="list-style-type: none"> • °C — degrees centigrade. • °F — degrees fahrenheit. <p>Flow rate</p> <ul style="list-style-type: none"> • UK Gal/H — UK gallons per hour. • US Gal/H — US gallons per hour. • LPH — Litres per hour. <p>Heading:</p> <ul style="list-style-type: none"> • Mag — magnetic. • True <p>Pressure</p> <ul style="list-style-type: none"> • PSI — pounds per square inch. • Bar — bar. • kPa — Kilo pascals. <p>Volume:</p> <ul style="list-style-type: none"> • UK Gallons • US Gallons • ltr — litre.

Menu item	Description	Options
Language	Determines the language that will be used for all on-screen text, labels, menus and options.	<ul style="list-style-type: none"> • Chinese • Croatian • Danish • Dutch • English — UK • English — US • Finnish • French • German • Greek • Italian • Japanese • Korean • Norwegian • Polish • Portuguese (Brazilian) • Russian • Spanish • Swedish • Turkish

Menu item	Description	Options
Vessel type	Determines the default setup of the unit and favorite pages	<ul style="list-style-type: none"> • Race sail • Sail cruiser • Catamaran • Workboat • RIB • Outboard speed boat • Inboard speed boat • Power cruiser 1 • Power cruiser 2 • Power cruiser 3 • Sport fishing • Pro fishing
Vessel details	Enable you to specify the following: <ul style="list-style-type: none"> • Number of engines • Number of batteries • Number of fuel tanks 	Number of engines: <ul style="list-style-type: none"> • 1 — 5 Number of batteries <ul style="list-style-type: none"> • 1 — 5 Number of fuel tanks <ul style="list-style-type: none"> • 1 — 5
Variation	Enables you to turn on and off magnetic variation, specify slave source or adjust manually. <ul style="list-style-type: none"> • Variation mode • Variation range 	Variation mode: <ul style="list-style-type: none"> • On • Off • Slave

Menu item	Description	Options
		Variation range: <ul style="list-style-type: none"><li data-bbox="1082 148 1219 171">• -30° — $+30^{\circ}$

System setup menu

The **System setup** menu enables users to customize user settings as detailed in the table below:

Menu item	Description	Options
Network group	This allows you to add multiple units together in a group so that when the color scheme or brightness is changed on one unit the changes are applied to all units in the group.	Pre-defined groups <ul style="list-style-type: none">• None• Helm 1• Helm 2• Cockpit• Flybridge• Mast Undefined <ul style="list-style-type: none">• Group-1 — Group-5
Brightness / color group	This enables you to synchronize the displays brightness and color to be the same as the other units in the same network group.	Sync brightness / color <ul style="list-style-type: none">• This display• This group

Menu item	Description	Options
<p>Multiple data sources</p>	<p>This allows you to view and select preferred data sources.</p> <ul style="list-style-type: none"> • Select data source • Data source found • Data source details 	<p>Select data source</p> <ul style="list-style-type: none"> • GPS position • Heading • Depth • Speed • Wind <p>Data source found</p> <ul style="list-style-type: none"> • model name — serial number Port ID <p>Data source details</p> <ul style="list-style-type: none"> • Device name • Serial No. • Port ID • Status or No data
<p>About system setup</p>	<p>System set-up provides the option to add instruments or pilot head to a group. Once in a group, tasks like changing brightness and color can be done from a single device. Multiple Data source allows you to view & manage which Data source is used on your pilot head. Data types include: GPS Position, Heading, Depth, Speed & Wind.</p>	

Diagnostics

You can access diagnostics details from the **Setup > Diagnostics** menu option and can view information relating to:

Menu item	Description	Options
About display	Allows you to view information about the instrument display you are using:	<ul style="list-style-type: none">• Software version• Hardware version• Bootloader version• Temperature• Volts• Max. volts• Current• Max. current• Run time• Deviation (If available)
About system	Allows you to view information about products on the system you are using:	<ul style="list-style-type: none">• Model number• Serial number• Software version• Hardware version• Volts

Menu item	Description	Options
Key beep	Enables you to turn on and off the audible beeps when keys are pressed	<ul style="list-style-type: none"> • On • Off
Self test	The product has a built in self test which can help to diagnose faults.	<ul style="list-style-type: none"> • Memory test • Button test • Display test • Buzzer test • Illumination test

Chapter 6: Troubleshooting

Chapter contents

- [6.1 Troubleshooting on page 60](#)
- [6.2 Power up troubleshooting on page 61](#)
- [6.3 System data troubleshooting on page 62](#)
- [6.4 Miscellaneous troubleshooting on page 63](#)

6.1 Troubleshooting

The troubleshooting information provides possible causes and corrective action required for common problems associated with marine electronics installations.

All Raymarine products are, prior to packing and shipping, subjected to comprehensive test and quality assurance programs. However, if you experience problems with the operation of your product this section will help you to diagnose and correct problems in order to restore normal operation.

If after referring to this section you are still having problems with your unit, please contact Raymarine Technical Support for further advice.

6.2 Power up troubleshooting

Problems at power up and their possible causes and solutions are described here.

Problem	Possible causes	Possible solutions
The system (or part of it) does not start up.	Power supply problem.	Check relevant fuses and breakers.
		Check that the power supply cable is sound and that all connections are tight and free from corrosion.
		Check that the power source is of the correct voltage and sufficient current.

6.3 System data troubleshooting

Aspects of the installation can cause problems with the data shared between connected equipment. Such problems, their possible causes and solutions are described here.

Problem	Possible causes	Possible solutions
Instrument, engine or other system data is unavailable at all displays.	Data is not being received at the display.	Check the data bus (e.g. SeaTalk ^{ng}) wiring and connections.
		Check the overall integrity of the data bus (e.g. SeaTalk ^{ng}) wiring.
		If available refer to the reference guide for the data bus. (e.g. SeaTalk ^{ng} reference manual)
	Data source (e.g ST70 instrument or engine interface) is not operating.	Check the source of the missing data (e.g. ST70 instrument or engine interface).
		Check the power to the SeaTalk bus.
		Refer to the manufacturer's handbook for the equipment in question.
Software mismatch between equipment may prevent communication.	Contact Raymarine technical support.	
Instrument or other system data is missing from some but not all displays.	SeaTalk ^{hs} network problem	Check that all required equipment is connected to the SeaTalk ^{hs} switch.
		Check the status of the SeaTalk ^{hs} Switch.
		Check that SeaTalk ^{hs} cables are free from damage.
	Software mismatch between equipment may prevent communication.	Contact Raymarine technical support

6.4 Miscellaneous troubleshooting

Miscellaneous problems and their possible causes and solutions are described here.

Problem	Possible causes	Possible solutions
Display behaves erratically: <ul style="list-style-type: none"> • Frequent unexpected resets. • System crashes or other erratic behavior. 	Intermittent problem with power to the display.	Check relevant fuses and breakers.
		Check that the power supply cable is sound and that all connections are tight and free from corrosion.
		Check that the power source is of the correct voltage and sufficient current.
	Buttons trapped by front bezel.	Ensure that the front bezel is fitted correctly and that all buttons are free to operate correctly.
	Software mismatch on system (upgrade required).	Go to www.raymarine.com and click on support for the latest software downloads.
Corrupt data / other unknown issue.	Perform a factory reset. This option can be found within Menu > System Setup > Settings and Data Reset .	
		Important: This will result in the loss of any settings and data (such as waypoints) stored on the display. Please save any important data to a CF card before resetting.

Chapter 7: Technical support

Chapter contents

- [7.1 Raymarine customer support on page 66](#)
- [7.2 Viewing product information on page 66](#)

7.1 Raymarine customer support

Raymarine provides a comprehensive customer support service. You can contact customer support through the Raymarine website, telephone and email. If you are unable to resolve a problem, please use any of these facilities to obtain additional help.

Web support

Please visit the customer support area of our website at:

www.raymarine.com

This contains Frequently Asked Questions, servicing information, e-mail access to the Raymarine Technical Support Department and details of worldwide Raymarine agents.

Telephone and email support

In the USA:

- **Tel:** +1 603 881 5200 extension 2444
- **Email:** Raymarine@custhelp.com

In the UK, Europe, the Middle East, or Far East:

- **Tel:** +44 (0)23 9271 4713
- **Email:** ukproduct.support@raymarine.com

Product information

If you need to request service, please have the following information to hand:

- Product name.
- Product identity.
- Serial number.
- Software application version.

You can obtain this product information using the menus within your product.

7.2 Viewing product information

1. From the main menu scroll to **Set Up** and press the **SELECT** key.
2. From the Set Up menu scroll to **Diagnostics** and press the **SELECT** key.
3. Select **About system**.

A range of information is displayed, including the software version and Serial number.

Chapter 8: Technical specification

Chapter contents

- [8.1 Technical specification on page 68](#)

8.1 Technical specification

Nominal supply voltage	12 or 24 V dc
Operating voltage range	10.7 to 32 V dc
Current	132 mA
Power consumption	1.6 W
LEN (Refer to the SeaTalk ^{ng} reference manual for further information.)	3
Environmental	Operating temperature: -25°C to 55°C (-13°F to 131°F) Storage temperature range: -30°C to 70°C (-22°F to 158°F) Relative humidity: max: 93% Water proof to IPX6
Display screen	TFT LCD display, 16bit color (64k colors) Resolution: 320x240 Brightness: 700 cd/m2
Data connections	2 x SeaTalk ^{ng} ports (fulling compliant with NMEA2000 & SeaTalk specifications).
Conformance	<ul style="list-style-type: none">• Europe 2004/108/EC• Australia and New Zealand C-Tick, compliance level 2

Chapter 9: Options and accessories

Chapter contents

- [9.1 SeaTalk^{ng} cables and accessories on page 70](#)
- [9.2 Converters on page 71](#)
- [9.3 SeaTalk accessories on page 71](#)
- [9.4 Spares and accessories on page 72](#)

9.1 SeaTalk^{ng} cables and accessories

SeaTalk^{ng} cables and accessories for use with compatible products.

Description	Part No	Notes
Backbone Kit	A25062	Includes: <ul style="list-style-type: none"> • 2 x 5 m (16.4 ft) Backbone cable • 1 x 20 m (65.6 ft) Backbone cable • 4 x T-piece • 2 x Backbone terminator • 1 x Power cable
SeaTalk ^{ng} 0.4 m (1.3 ft) spur	A06038	
SeaTalk ^{ng} 1 m (3.3 ft) spur	A06039	
SeaTalk ^{ng} 3 m (9.8 ft) spur	A06040	
SeaTalk ^{ng} 5 m (16.4 ft) spur	A06041	
SeaTalk ^{ng} 0.4 m (1.3 ft) backbone	A06033	
SeaTalk ^{ng} 1 m (3.3 ft) backbone	A06034	
SeaTalk ^{ng} 3 m (9.8 ft) backbone	A06035	

Description	Part No	Notes
SeaTalk ^{ng} 5 m (16.4 ft) backbone	A06036	
SeaTalk ^{ng} 20 m (65.6 ft) backbone	A06037	
SeaTalk ^{ng} to bare ends 1 m (3.3 ft) spur	A06043	
SeaTalk ^{ng} to bare ends 3 m (9.8 ft) spur	A06044	
SeaTalk ^{ng} to SeaTalk2 0.4 m (1.3 ft) spur	A06048	
SeaTalk ^{ng} Power cable	A06049	
SeaTalk ^{ng} Terminator	A06031	
SeaTalk ^{ng} T-piece	A06028	Provides 1 x spur connection
SeaTalk ^{ng} 5-way connector	A06064	Provides 3 x spur connections
SeaTalk1 to SeaTalk ^{ng} converter	E22158	
SeaTalk ^{ng} Inline terminator	A80001	
SeaTalk ^{ng} Blanking plug	A06032	

9.2 Converters

Part number	Description
E22158	SeaTalk to SeaTalk ^{ng} Converter

9.3 SeaTalk accessories

SeaTalk cables and accessories for use with compatible products.

Description	Part No	Notes
NMEA / SeaTalk converter	E85001	
3 m (9.8 ft) SeaTalk extension cable	D285	
5 m (16.4 ft) SeaTalk extension cable	D286	
9 m (29.5 ft) SeaTalk extension cable	D287	
12 m (39.4 ft) SeaTalk extension cable	E25051	
20 m (65.6 ft) SeaTalk extension cable	D288	

9.4 Spares and accessories

Part number	Description
R22168	Spare bezel
R22169	Sun cover

Owner notes:

Owner notes:

Raymarine[®]
A FLIR COMPANY

www.raymarine.com

