

**Raymarine®**



# REALVISION™ 3D

RV-3xx Plastic Through-Hull Transducer  
Installation instructions

English (en-US)  
Date: 10-2018  
Document number: 87336-2  
© 2018 Raymarine UK Limited



## Trademark and patents notice

**Raymarine, Tacktick, Clear Pulse, Truzoom, SeaTalk, SeaTalk<sup>hs</sup>, SeaTalk<sup>ng</sup>, and Micronet**, are registered or claimed trademarks of Raymarine Belgium.

**FLIR, LightHouse, DownVision, SideVision, RealVision, Dragonfly, Quantum, Axiom, Instalert, Infrared Everywhere, The World's Sixth Sense and ClearCruise** are registered or claimed trademarks of FLIR Systems, Inc.

All other trademarks, trade names, or company names referenced herein are used for identification only and are the property of their respective owners.

This product is protected by patents, design patents, patents pending, or design patents pending.

## Fair Use Statement

You may print no more than three copies of this manual for your own use. You may not make any further copies or distribute or use the manual in any other way including without limitation exploiting the manual commercially or giving or selling copies to third parties.

## Software updates



Check the Raymarine website for the latest software releases for your product.  
[www.raymarine.com/software](http://www.raymarine.com/software)

## Product documentation



The latest versions of all English and translated documents are available to download in PDF format from the website: [www.raymarine.com/manuals](http://www.raymarine.com/manuals).  
Please check the website to ensure you have the latest documentation.

**Copyright ©2018 Raymarine UK Ltd. All rights reserved.**



# Contents

<b>Chapter 1 Important information</b> .....	<b>7</b>
Certified Installation.....	7
Declaration of Conformity.....	7
Water ingress .....	8
Disclaimer .....	8
Warranty registration.....	8
Product disposal .....	8
IMO and SOLAS.....	8
Technical accuracy.....	9
<b>Chapter 2 Document and product information</b> .....	<b>11</b>
2.1 Product documentation.....	12
LightHouse™ 3 MFD Operation instructions.....	12
Document illustrations .....	12
2.2 Applicable products.....	13
2.3 Product overview .....	14
2.4 Required additional components.....	15
Compatible RealVision™ 3D products .....	15
2.5 Parts supplied — RV-3xx series transducers .....	16
Additional parts supplied.....	17
<b>Chapter 3 Installation</b> .....	<b>19</b>
3.1 Tools required .....	20
3.2 Pre-installation test.....	21
Testing the transducer.....	21
Multiple transducers .....	21
3.3 Selecting a location.....	22
Warnings and cautions .....	22
Location requirements.....	22
EMC installation guidelines.....	24
Transducer dimensions — RV-3xx.....	25
3.4 Mounting — RV-3xx plastic thru-hull .....	27
<b>Chapter 4 Connections</b> .....	<b>33</b>
4.1 General cabling guidance .....	34
Cable types and length.....	34
Strain relief.....	34
Cable shielding .....	34
4.2 Cable routing .....	35
RealVision™ 3D transducer extension cable .....	35
4.3 Attaching the connector locking collar.....	36
4.4 Making connections.....	40

<b>Chapter 5 System checks and troubleshooting</b> .....	<b>41</b>
5.1 RealVision™ 3D AHRS calibration.....	42
5.2 Troubleshooting .....	43
Operation instructions .....	43
Sonar troubleshooting.....	43
Resetting the sonar module.....	45
<b>Chapter 6 Maintenance</b> .....	<b>47</b>
6.1 Routine checks.....	48
6.2 Unit cleaning instructions.....	49
Transducer care and cleaning .....	49
<b>Chapter 7 Technical support</b> .....	<b>51</b>
7.1 Raymarine product support and servicing .....	52
Viewing product information (LightHouse™ 3).....	53
7.2 Learning resources .....	54
<b>Chapter 8 Technical specification</b> .....	<b>55</b>
8.1 Technical specification .....	56
Physical specification.....	56
Environmental specification.....	56
RealVision™ 3D sonar specification.....	56
Conformance specification .....	56
<b>Chapter 9 Spares and accessories</b> .....	<b>57</b>
9.1 Spares.....	58
9.2 Accessories.....	59

# Chapter 1: Important information

## Certified Installation

Raymarine recommends certified installation by a Raymarine approved installer. A certified installation qualifies for enhanced product warranty benefits. Contact your Raymarine dealer for further details, and refer to the separate warranty document packed with your product.



### Warning: Product installation and operation

- This product must be installed and operated in accordance with the instructions provided. Failure to do so could result in personal injury, damage to your vessel and/or poor product performance.
- Raymarine recommends certified installation by a Raymarine approved installer. A certified installation qualifies for enhanced product warranty benefits. Contact your Raymarine dealer for further details, and refer to the separate warranty document packed with your product.



### Warning: High voltages

This product may contain high voltages. Do NOT remove any covers or otherwise attempt to access internal components, unless specifically instructed in the documentation provided.



### Warning: Positive ground systems

Do not connect this unit to a system which has positive grounding.



### Warning: Switch off power supply

Ensure the vessel's power supply is switched OFF before starting to install this product. Do NOT connect or disconnect equipment with the power switched on, unless instructed in this document.



### Warning: Transducer operation

Only test and operate the transducer in the water. Do NOT operate out of water as overheating may occur.



### Warning: 2 person installation required

To prevent potential product damage, vessel damage and personal injury 2-person installation is recommended.



### Warning: Marine-grade sealant

Only use marine-grade neutral cure polyurethane sealants. Do NOT use sealants containing acetate or silicone, which can cause damage to plastic parts.

### Caution: Service and maintenance

This product contains no user serviceable components. Please refer all maintenance and repair to authorized Raymarine dealers. Unauthorized repair may affect your warranty.

## Declaration of Conformity

FLIR Belgium BVBA declares that the following products are in compliance with the EMC Directive 2014/30/EU:

- RV-300 thru-hull transducer, part number A80470
- RV-312P thru-hull transducer, part number A80471

- RV-312S thru-hull transducer, part number A80472
- RV-320P thru-hull transducer, part number A80473
- RV-320S thru-hull transducer, part number A80474

The original Declaration of Conformity certificate may be viewed on the relevant product page at [www.raymarine.com/manuals](http://www.raymarine.com/manuals).

## Water ingress

Water ingress disclaimer

The waterproof rating capacity of this product meets the stated Ingress Protection (IP) standard referred to in the product's *Technical Specification*.

## Disclaimer

Raymarine does not warrant that this product is error-free or that it is compatible with products manufactured by any person or entity other than Raymarine.

Raymarine is not responsible for damages or injuries caused by your use or inability to use the product, by the interaction of the product with products manufactured by others, or by errors in information utilized by the product supplied by third parties.

## Warranty registration

To register your Raymarine product ownership, please visit [www.raymarine.com](http://www.raymarine.com) and register online.

It is important that you register your product to receive full warranty benefits. Your unit package includes a bar code label indicating the serial number of the unit. You will need this serial number when registering your product online. You should retain the label for future reference.

## Product disposal

Dispose of this product in accordance with the WEEE Directive.

The Waste Electrical and Electronic Equipment (WEEE) Directive requires the recycling of waste electrical and electronic equipment which contains materials, components and substances that may be hazardous and present a risk to human health and the environment when WEEE is not handled correctly.



■ Equipment marked with the crossed-out wheeled bin symbol indicates that the equipment should not be disposed of in unsorted household waste.

Local authorities in many regions have established collection schemes under which residents can dispose of waste electrical and electronic equipment at a recycling center or other collection point.

For more information about suitable collection points for waste electrical and electronic equipment in your region, refer to the Raymarine website: [www.raymarine.com/manuals](http://www.raymarine.com/manuals).

## IMO and SOLAS

The equipment described within this document is intended for use on leisure marine boats and workboats NOT covered by International Maritime Organization (IMO) and Safety of Life at Sea (SOLAS) Carriage Regulations.



## Technical accuracy

To the best of our knowledge, the information in this document was correct at the time it was produced. However, Raymarine cannot accept liability for any inaccuracies or omissions it may contain. In addition, our policy of continuous product improvement may change specifications without notice. As a result, Raymarine cannot accept liability for any differences between the product and this document. Please check the Raymarine website ([www.raymarine.com](http://www.raymarine.com)) to ensure you have the most up-to-date version(s) of the documentation for your product.



## Chapter 2: Document and product information

### Chapter contents

- [2.1 Product documentation on page 12](#)
- [2.2 Applicable products on page 13](#)
- [2.3 Product overview on page 14](#)
- [2.4 Required additional components on page 15](#)
- [2.5 Parts supplied — RV-3xx series transducers on page 16](#)

## 2.1 Product documentation

The following documentation is applicable to your product:


All documents are available to download as PDFs from [www.raymarine.com/manuals](http://www.raymarine.com/manuals)

### Documentation

Description	Part number
Installation instructions (this document)	87336
RV-3xx Transducer Mounting template	87328
<b>LightHouse™ 3</b> Basic Operation instructions. Includes basic operation instructions for the Sonar application on your MFD.	81369
<b>LightHouse™ 3</b> Advanced Operation instructions. Includes advanced operation instructions for the Sonar application on your MFD.	81370

### LightHouse™ 3 MFD Operation instructions

For operation instructions for your product please refer to the LightHouse™ 3 MFD Operation instructions.

	The Basic (81369) and Advanced (81370) LightHouse™ 3 Operation Instructions can be downloaded from the Raymarine website: <a href="http://www.raymarine.com/manuals">www.raymarine.com/manuals</a>
--	--

### Document illustrations

Your product and if applicable, its user interface may differ slightly from that shown in the illustrations in this document, depending on product variant and date of manufacture.

All images are provided for illustration purposes only.

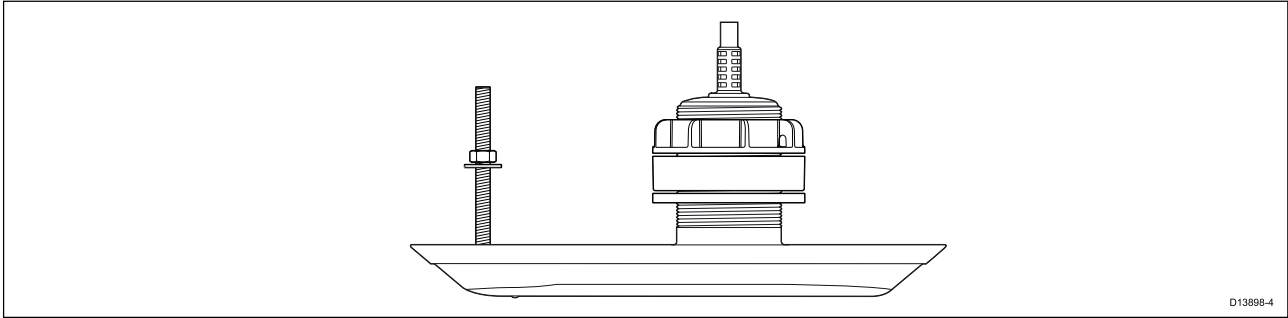
## 2.2 Applicable products

This document is applicable to the **RV-300**, **RV-312(P/S)**, and **RV-320(P/S)** RealVision™ 3D plastic thru-hull transducers.

These transducers are capable of producing 3D sonar images when connected to a **RealVision™ 3D** variant MFD running **LightHouse™ 3** software, or a **LightHouse™ 3** compatible MFD used in conjunction with an RVX1000 **RealVision™ 3D** sonar module. Five transducers are available in the RV-3xx series, each having the same external shape and dimensions.

**Important:**

- Plastic thru-hull transducers are recommended for fiberglass and metal hulls and should not be used on vessels with a wooden hull.



The transducers differ internally, and contain different numbers and types of transmit and receive elements. Your installation should comprise either a single **RV-300** transducer, or a split-pair of **RV-312(P/S)** or **RV-320(P/S)** transducers.

The hull geometry of your vessel determines the most appropriate transducers to use. You should fit transducers whose internal elements are matched to within  $\pm 6^\circ$  of your hull's deadrise angle, as shown in the following table:

Model no.	System pack	Part no.	Description	Hull geometry
<b>RV-300</b>	N/A	A80470	Plastic Thru-Hull Transducer, <b>0°</b> , single ("all in one")	Hull with 0° (flat-bottom) to 6° deadrise angle.
<b>RV-312P</b>	T70320	A80471	Plastic Thru-Hull Transducer, <b>12°</b> , split-pair	Hull with 6° to 18° deadrise angle, port side.
<b>RV-312S</b>		A80472		Hull with 6° to 18° deadrise angle, starboard side.
<b>RV-320P</b>	T70321	A80473	Plastic Thru-Hull Transducer, <b>20°</b> , split-pair	Hull with 14° to 26° deadrise angle, port side.
<b>RV-320S</b>		A80474		Hull with 14° to 26° deadrise angle, starboard side.

## 2.3 Product overview

The RV-3xx series of products are thru-hull mounted RealVision™ 3D sonar transducers, capable of producing realistic 3D representations of the objects below your vessel, to help you identify underwater structures and locate fish.

- Plastic construction provides robust and reliable operation.
- 4 sonar channels: DownVision™, SideVision™, CHIRP, and RealVision™ 3D sonar technology combined in a single unit.
- Powerful and practical sonar operating ranges:
  - CHIRP sonar = 0.6 M (2 ft) to 274 m (900 ft)
  - DownVision™ = 0.6 M (2 ft) to 183 m (600 ft)
  - SideVision™ = 0.6 M (2 ft) to 91 m (300 ft)
  - RealVision™ 3D = 0.6 M (2 ft) to 91 m (300 ft)
- Built-in AHRS (Attitude and Heading Reference Sensor) helps to stabilize the sonar imaging, automatically compensating for vessel motion.
- Cables included:
  - RV-300: 8 m (26.2 ft) attached cable.
  - RV-3xx(P/S): 2 m (6.5 ft) attached cable.
  - An 8 m (26.2 ft) extension cable is provided with RV-3xx(P/S) split-pair transducers (when supplied as a pair).
- Waterproof to IPx6 (surfaces exterior to hull, only), IPx7, IPx8.

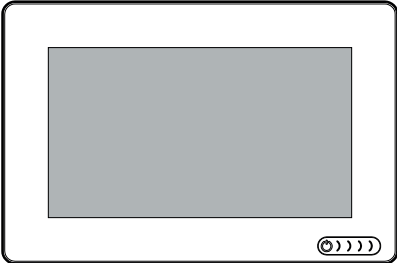
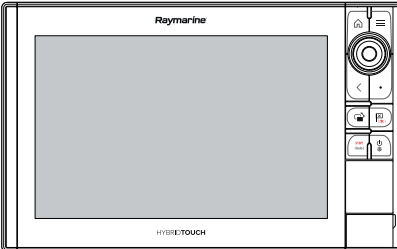
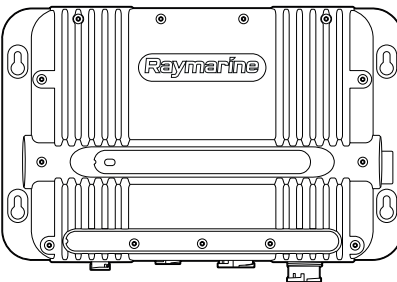
## 2.4 Required additional components

This product forms part of a system of electronics and requires the following additional components for full operation.

- Compatible RealVision™ 3D sonar-capable device. Refer to [Compatible RealVision™ 3D products](#), for a list of compatible products.
- For longer cable runs, a transducer extension cable will also be required. Refer to [Chapter 9 Spares and accessories](#), for suitable cables.

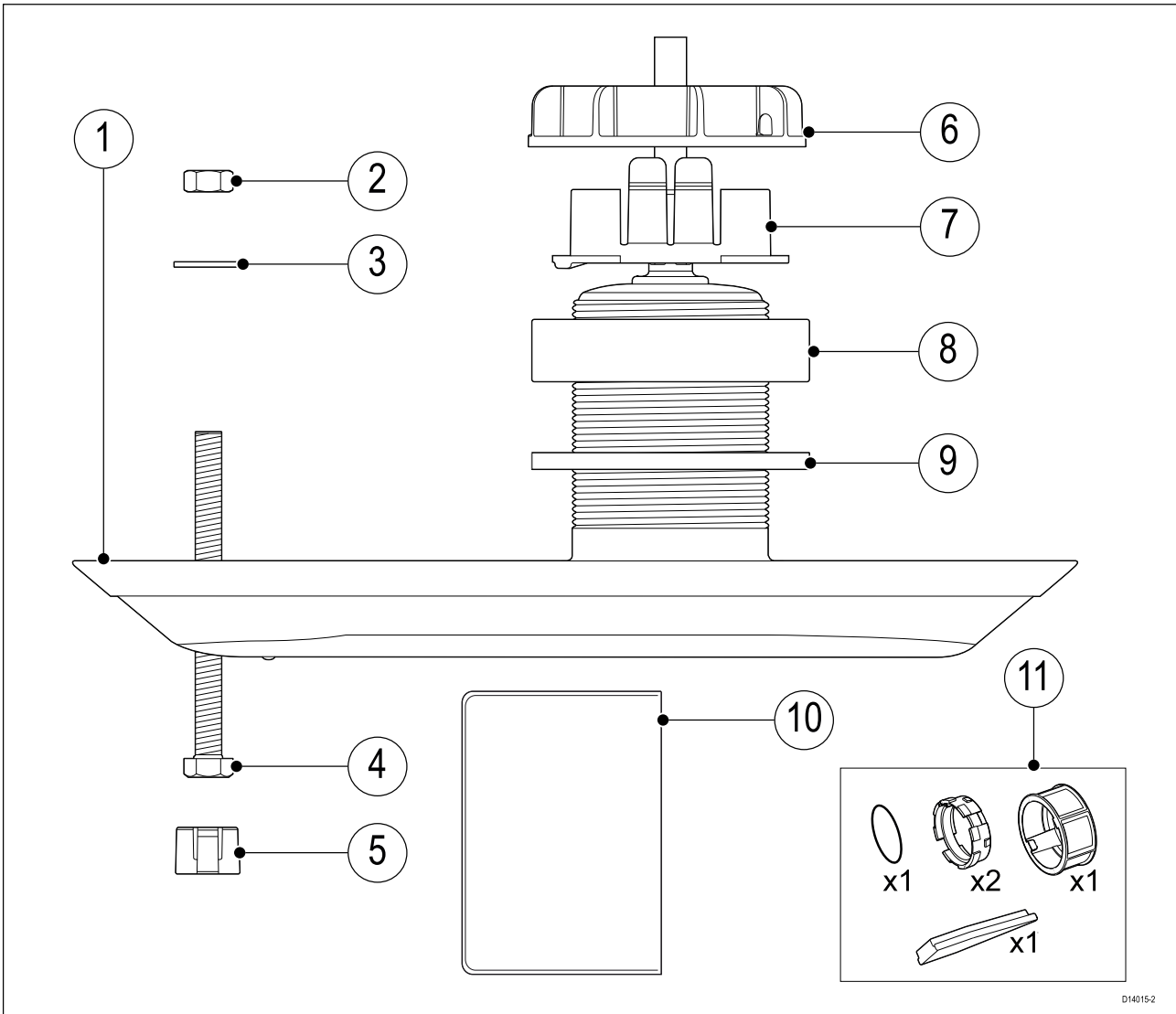
### Compatible RealVision™ 3D products

The transducer must be connected to a RealVision™ 3D sonar-capable device. The following RealVision™ 3D sonar-capable products are compatible with the transducer.

	Description	Part number(s)
	Axiom™ 7 RV 3D variants	E70365, E70365-03, E70365-DISP
	Axiom™ 9 RV 3D variants	E70367, E70367-02, E70367-03, E70367-DISP
	Axiom™ 12 RV 3D variants	E70369, E70369-03, E70369-DISP
	Axiom™ Pro 9 RVX	E70371
	Axiom™ Pro 12 RVX	E70372
	Axiom™ Pro 16 RVX	E70373
	RVX1000 (a LightHouse™ 3 compatible MFD is also required)	E70511

## 2.5 Parts supplied — RV-3xx series transducers

The following parts are supplied with all RV-3xx series transducer variants.



Item	Description	Quantity
1	Transducer (including cable)	1
2	Anti-rotation nut	1
3	Small washer	1
4	Anti-rotation bolt	1
5	Anti-rotation bolt cap	1
6	Hull nut	1
7	Cable protector	1
8	Spacer	1
9	Rubber washer	1
10	Documentation pack	1
11	Locking collar kit (for transducer cable connector), consisting of: <ul style="list-style-type: none"> <li>• 2 x Split rings (includes spare)</li> <li>• 1 x O-ring</li> <li>• 1 x Locking collar</li> <li>• 1 x Split ring fitting tool</li> </ul>	1



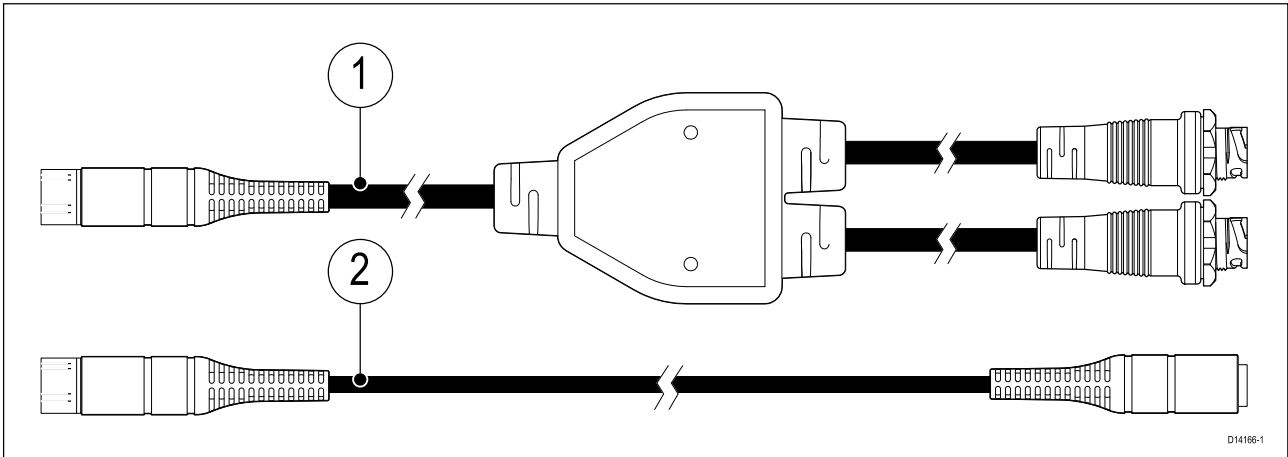
## Transducer cable length

The length of the cable fitted to the transducer is:

- **RV-300** — 8 m (26.2 ft)
- **RV-312(P/S)** and **RV-320(P/S)** — 2 m (6.5 ft)

## Additional parts supplied

The following additional cables are supplied when ordering a split pair set of transducers: T70320 (**RV-312S** and **RV-312P**) or T70321 (**RV-320S** and **RV-320P**).



Item	Description	Quantity
1	"Y-cable" adapter for connecting a split pair of transducers to a RealVision™ 3D-capable sonar device. Cable length: 0.3 m (0.98 ft.)	1
2	Extension cable 8 m (26.2 ft.). In a split pair transducer configuration, extends the single end of the "Y-cable" adapter.	1



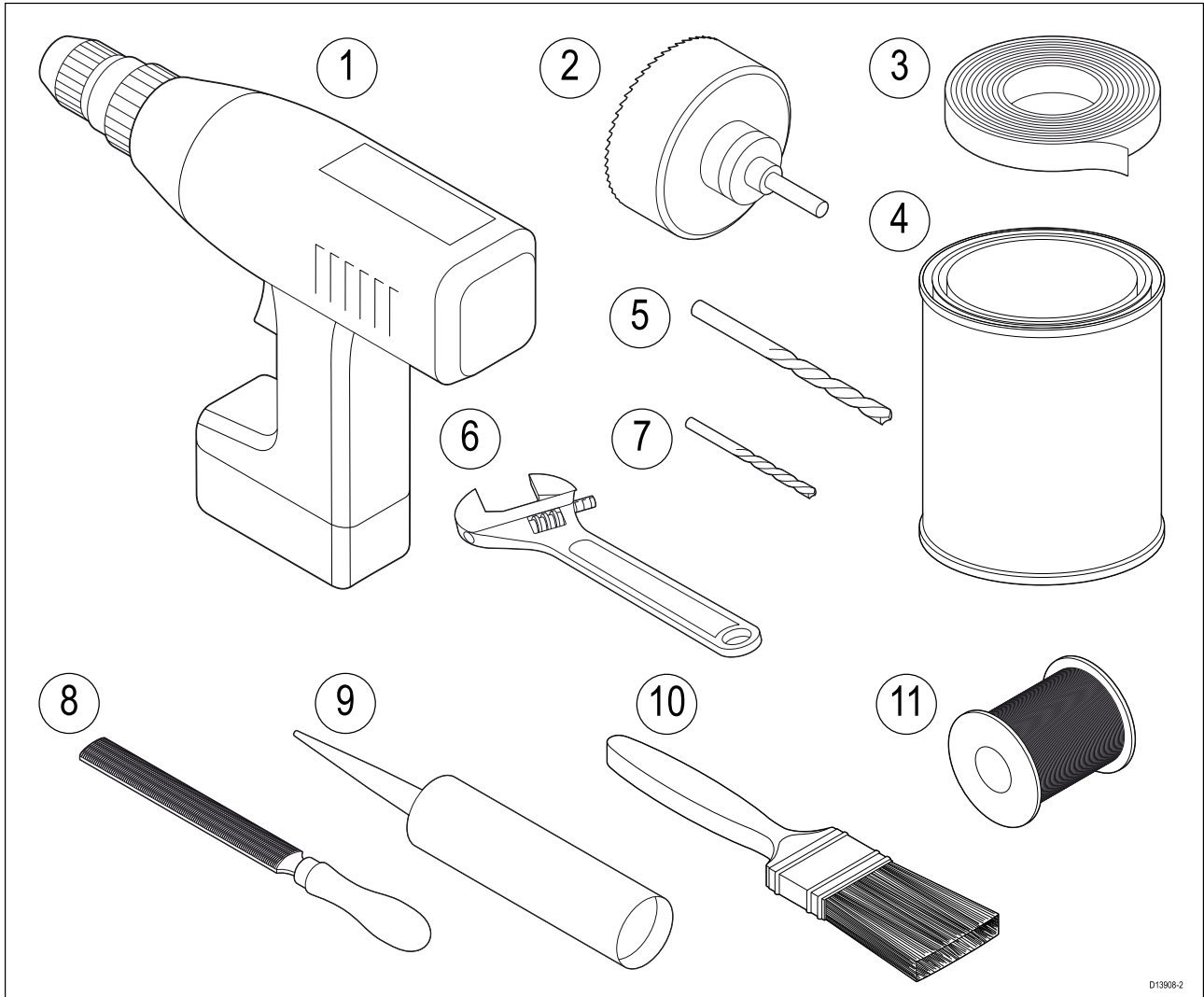
## Chapter 3: Installation

### Chapter contents

- 3.1 Tools required on page 20
- 3.2 Pre-installation test on page 21
- 3.3 Selecting a location on page 22
- 3.4 Mounting — RV-3xx plastic thru-hull on page 27

### 3.1 Tools required

The following tools are required to install any of the transducers listed under “Applicable products”.



1	Power drill
2	62 mm (2 <sup>29</sup> / <sub>64</sub> inch) hole cutter
3	Adhesive tape
4	Water based anti-fouling paint.
5	9 mm (3/8 inch) drill bit (for drilling anti-rotation bolt hole)
6	13 mm (1/2 inch) wrench (spanner) or suitable size adjustable wrench (spanner)
7	Drill bit (suitable size for drilling pilot holes)
8	Half round file
9	Marine grade sealant (non-acetate based)
10	Paint brush (for application of anti-fouling paint)
11	Non-corrosive locking wire



#### Warning: Marine-grade sealant

Only use marine-grade neutral cure polyurethane sealants. Do NOT use sealants containing acetate or silicone, which can cause damage to plastic parts.

## 3.2 Pre-installation test

### Testing the transducer

Transducer operation should be checked before installation.

1. Connect the transducer to the transducer connection of a RealVision™ 3D sonar-capable device (e.g. Axiom RV multifunction display).
2. Fully submerge the transducer in water.
3. Power up the RealVision™ 3D sonar-capable device, and / or multifunction display.
4. Open a Fishfinder (Sonar) application on your multifunction display.
5. If required, select the relevant transducer / channel from the Channel selection page (**Menu > Channel**).
6. Check that accurate depth and temperature readings are displayed.
7. If you experience difficulties obtaining readings then contact Raymarine Technical Support.



#### **Warning: Transducer operation**

Only test and operate the transducer in the water. Do NOT operate out of water as overheating may occur.

#### **Caution: Transducer cable**

- Do NOT use the transducer cable to lift or suspend the transducer; always support the transducer body directly during installation.
- Do NOT cut, shorten, or splice the transducer cable.
- Do NOT remove the connector.

If the cable is cut, it cannot be repaired. Cutting the cable will also void the warranty.

### Multiple transducers


**Note:** If you are installing a split-pair of transducers (for example, an **RV-212P** unit with an **RV-212S** unit, or an **RV-320P** unit with an **RV-320S** unit), ensure that you test both transducers together by connecting them to the RealVision™ 3D sonar-capable device (e.g. multifunction display) using a Y-cable and extension cable.

Refer to the colored “Port” and “Starboard” labels on the cables to ensure that you connect the transducer cables to the correct Y-cable tails.

### 3.3 Selecting a location

#### Warnings and cautions

**Important:** Before proceeding, ensure that you have read and understood the warnings and cautions provided in the [Chapter 1 Important information](#) section of this document.

 **Warning: 2 person installation required**  
To prevent potential product damage, vessel damage and personal injury 2-person installation is recommended.

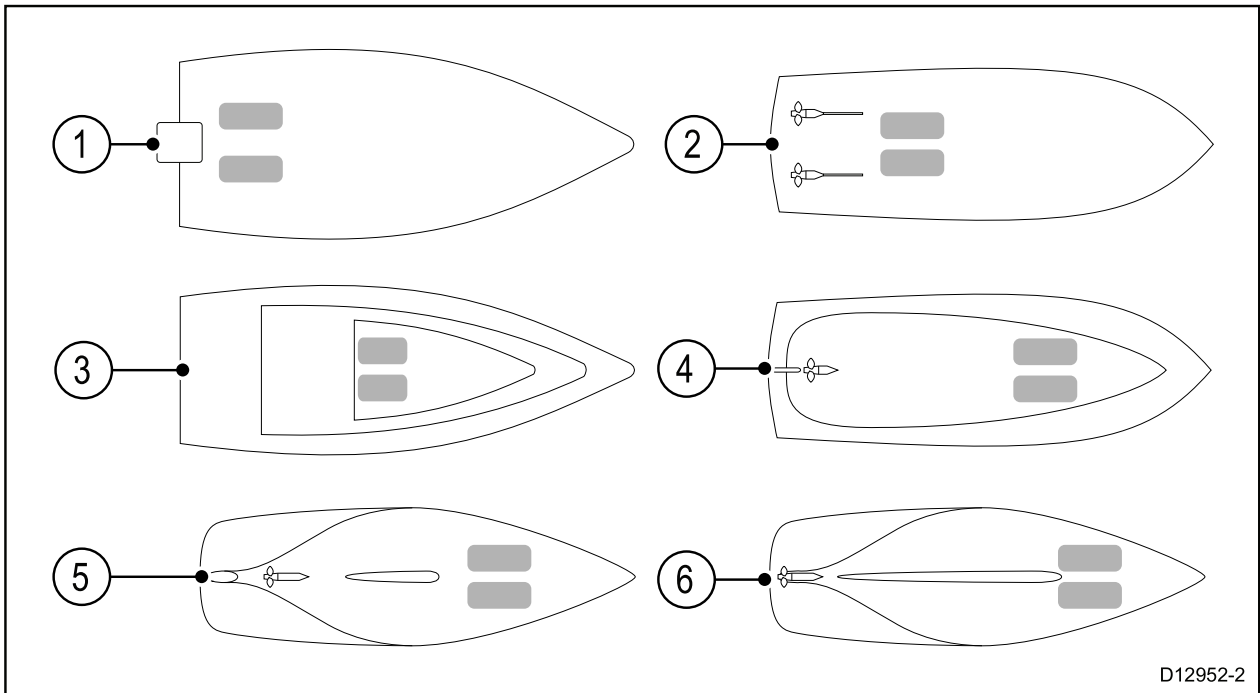
#### Location requirements

Follow the guidelines below when selecting a location for your single transducer or split-pair transducers.

For best performance, transducers should be installed in a location with the least turbulence and aeration.

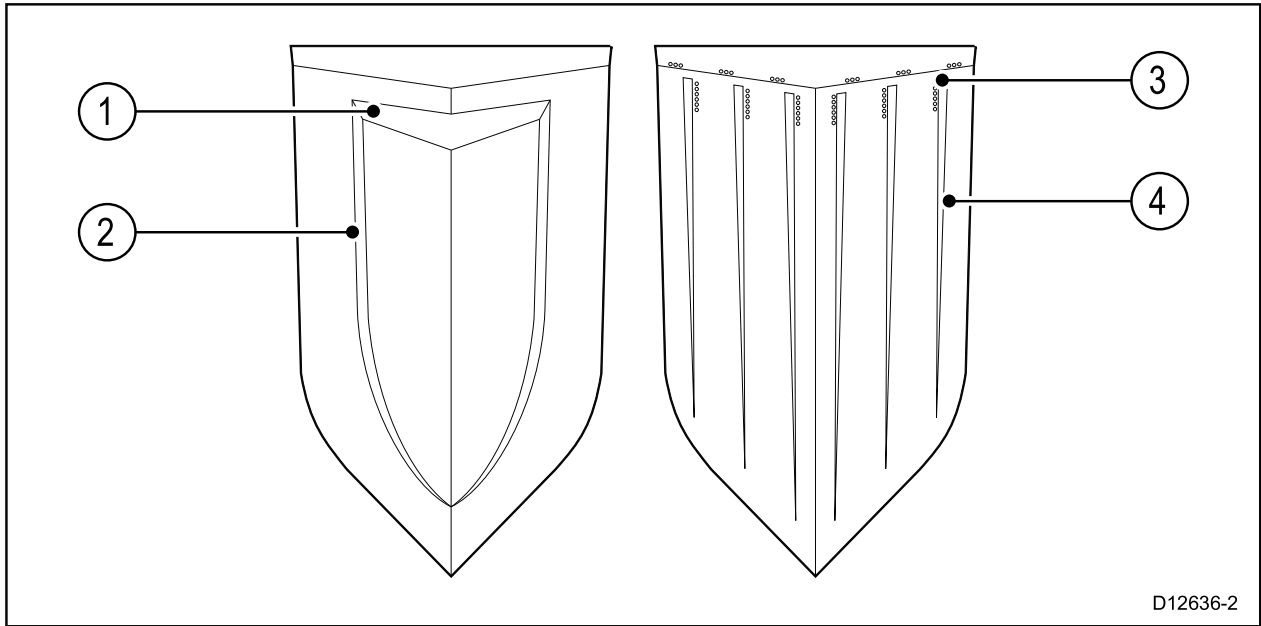
**Important:** Do NOT install transducers in-line with trailer rollers, your vessel’s engine intake or discharge openings.

- Transducers should be installed as close to the center line of the vessel as possible.
- The mounting surface for the transducers should be flat so that the supplied rubber washer sits firmly against the hull.
- When installing split-pair transducers with angled elements, you must ensure that the hull’s deadrise angle at the chosen mounting location is appropriate for the selected transducers.



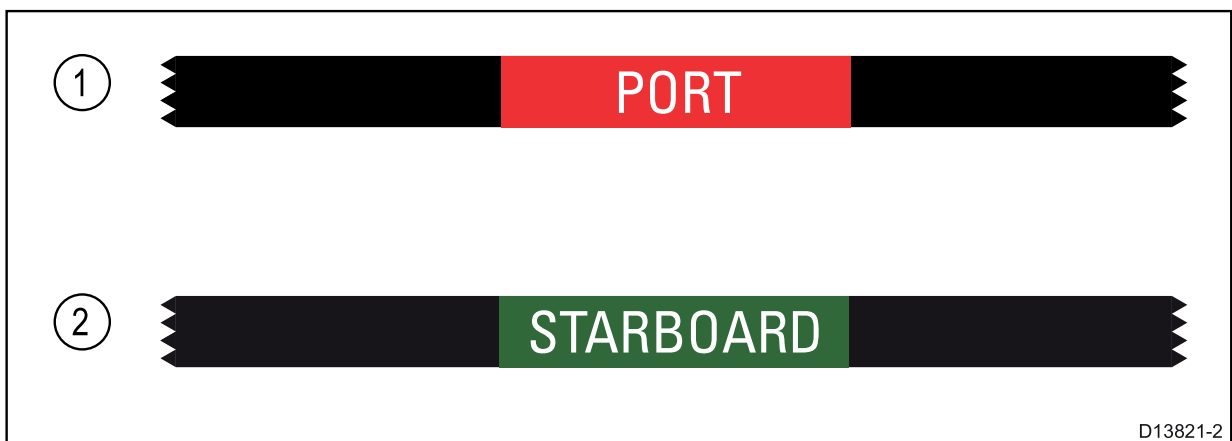
1	Planing hull	<b>Outboard or I/O</b> — mount forward and to the side of the propeller(s).
2	Planing hull	<b>Inboard</b> — mount forward of the propeller(s) and shaft(s).
3	Planing hull	<b>Stepped hull</b> — mount on the first step as far aft as possible.
4	Displacement hull	<b>Displacement hull</b> — mount approximately 1/3 of the way along the length of the hull, measured along the waterline.
5	Keel sailboat	<b>Fin keel</b> — mount forward of the keel, ensuring that the keel will not obstruct the transducers wide beam width.
6	Keel sailboat	<b>Full keel</b> — mount away from the keel at a location with minimum dead rise, ensuring that the keel will not obstruct the transducers wide beam width.

- The transducers should be installed away from any protrusions such as other transducers, steps, ribs, strakes, or rows of rivets.

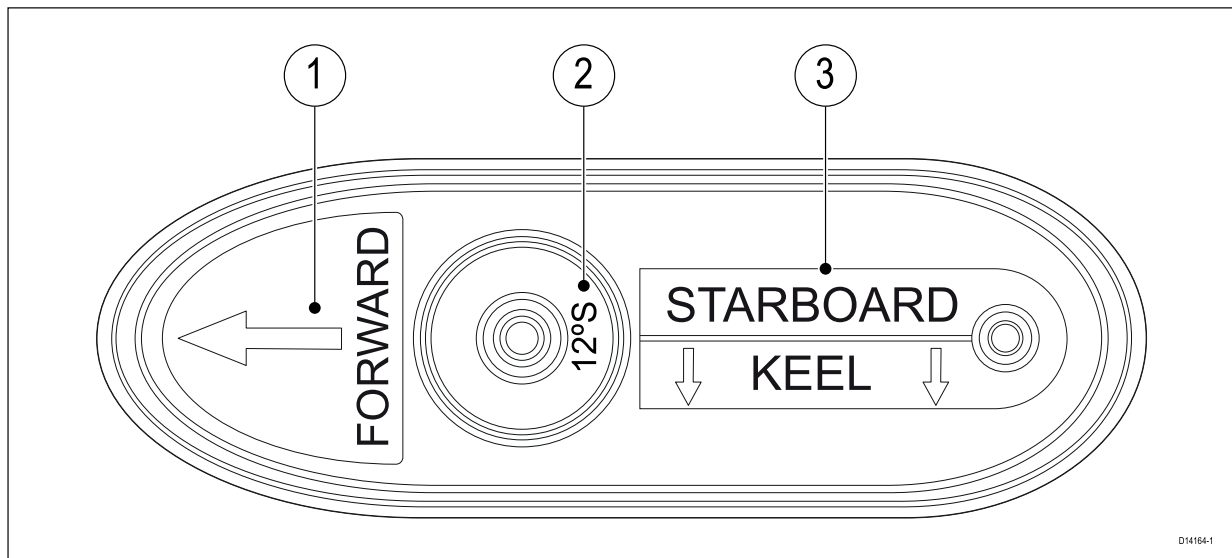


1	Step
2	Rib
3	Row of rivets
4	Strake

- Transducers should be installed in a location where no load will be applied to the transducers during launching, lifting, trailering and storage of the boat.
- Transducers must be installed in the correct orientation, with the anti-rotation bolt closest to the stern of the vessel. Additionally, a direction arrow pointing to the bow is embossed on the anti-rotation bolt cap.
- When installing split-pair transducers:
  - the correct transducer (port or starboard) must be installed in the matching (port or starboard) side of the hull; each transducer in a split pair has a label on the attached cable, and markings and labels on the transducer body to help you identify the transducer:



Item	Color	Description
1	Red	Port-side split-pair transducer cable
2	Green	Starboard-side split-pair transducer cable



Item	Description
1	Direction to vessel bow
2	Element angle and vessel side: – (“12°”, “20°”) – (port, “P”; starboard, “S”) Single (all-in-one) transducers are marked “0”.
3	Vessel side and direction to vessel keel Single (all-in-one) transducers omit this label.

- choose mounting positions that are symmetric about the center line of the vessel.
- choose mounting positions that are at least 300 mm (12 inches) below the water line.
- Transducers should be installed in a location where there is sufficient clearance inside the hull to fit the nut and have at least 100 mm (4 in) of headroom to allow for withdrawal.
- To avoid interference with the internal magnetometer, mount transducers at least 1 m (39 inches) from other electrical devices.

### Cored fiberglass hull mounting

It is recommended that the transducer is mounted in a non-cored section, if installation in a cored section is required then the area around the hole must be adequately strengthened to ensure it is not damaged when tightening the hull and anti-rotation nuts.

**Important:** Installation in a cored fiberglass hull should only be carried out by a competent marine installer.

### EMC installation guidelines

Raymarine equipment and accessories conform to the appropriate Electromagnetic Compatibility (EMC) regulations, to minimize electromagnetic interference between equipment and minimize the effect such interference could have on the performance of your system

Correct installation is required to ensure that EMC performance is not compromised.

**Note:** In areas of extreme EMC interference, some slight interference may be noticed on the product. Where this occurs the product and the source of the interference should be separated by a greater distance.

For **optimum** EMC performance we recommend that wherever possible:

- Raymarine equipment and cables connected to it are:
  - At least 1 m (3.3 ft) from any equipment transmitting or cables carrying radio signals e.g. VHF radios, cables and antennas. In the case of SSB radios, the distance should be increased to 2 m (6.6 ft).
  - More than 2 m (6.6 ft) from the path of a radar beam. A radar beam can normally be assumed to spread 20 degrees above and below the radiating element.



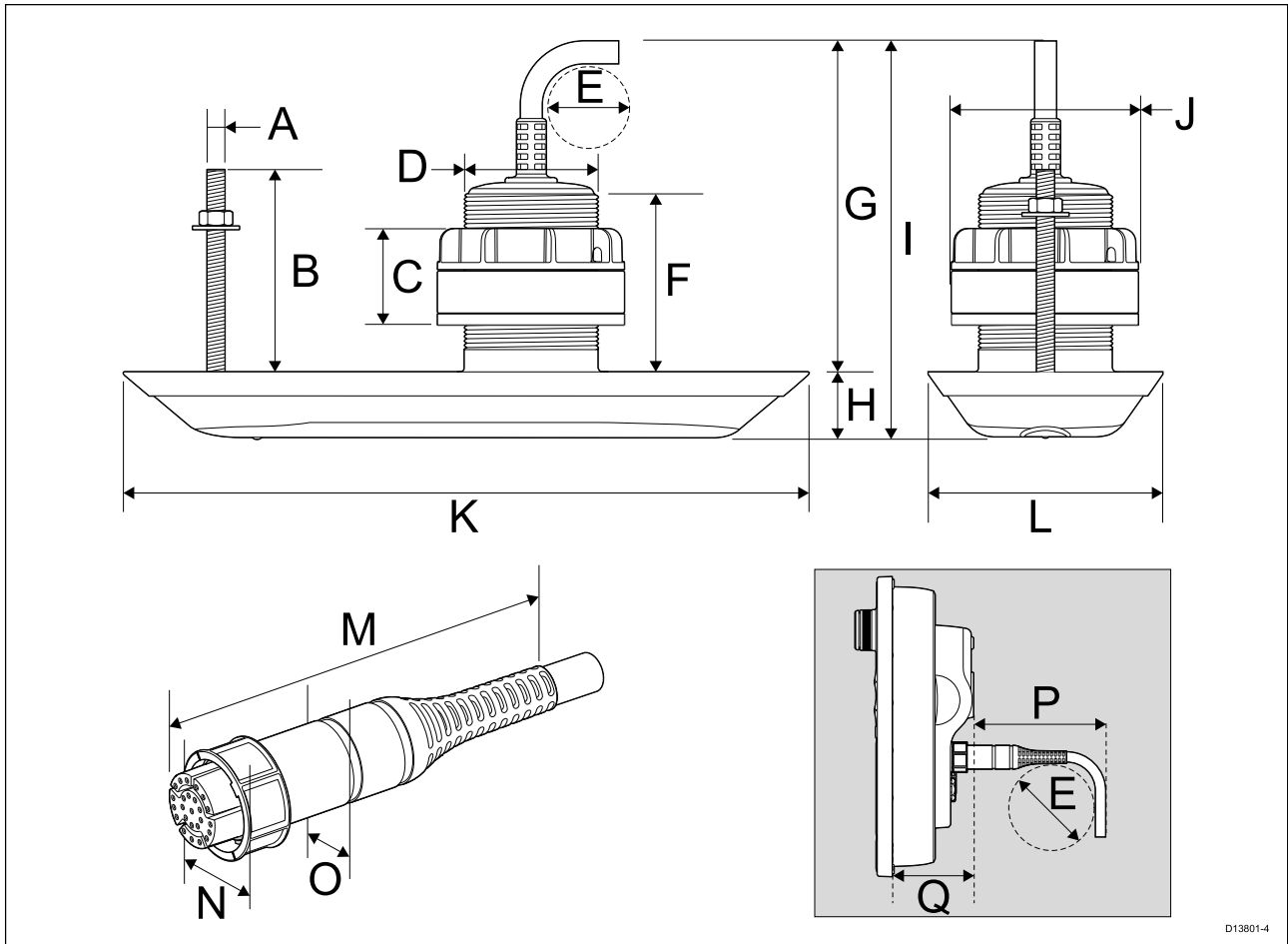
- The product is supplied from a separate battery from that used for engine start. This is important to prevent erratic behavior and data loss which can occur if the engine start does not have a separate battery.
- Raymarine specified cables are used.
- Cables are not cut or extended, unless doing so is detailed in the installation manual.

**Note:**

**Where constraints on the installation prevent any of the above recommendations**, always ensure the maximum possible separation between different items of electrical equipment, to provide the best conditions for EMC performance throughout the installation.

**Transducer dimensions — RV-3xx**

All transducers in the RV-3xx series have the same external dimensions.



Item	Measurement
A	8.0 mm (0.31 in.)
B	90.72 mm (3.57 in.)
C	23.0 mm (0.90 in.)
D	60.0 mm (2.36 in.)
E	35.0 mm (1.4 in.)
F	80.0 mm (3.15 in.)
G	136 mm (5.35 in.)
H	31.0 mm (1.22 in.)
I	170 mm (6.69 in.)
J	85.0 mm (3.35 in.)
K	308.0 mm (12.13 in.)

Item	Measurement
L	107.0 mm (4.21 in.)
M	96 mm (3.8 in.)
N	32 mm (1.26 in.)
O	25 mm (1 in.)
P	138.6 mm (5.46 in.). This dimension is dependent on your MFD variant. Refer to your MFD documentation (Model shown is Axiom Pro 16).
Q	68.4 mm (2.69 in.) Maximum. This dimension is dependent on your MFD variant. Refer to your MFD documentation (Model shown is Axiom Pro 16).

- **RV-300** attached cable length: 8 m (26.2 ft).
- **RV-312(P/S)** and **RV-320(P/S)** attached cable length: 2 m (6.5 ft).

Nut sizes

- Hull nut — 62 mm (2 3/8 in.) across flats
- Anti-rotation nut — 13 mm (1/2 in.) across flats

**Note:**  
 For installations where space behind the display is limited, a right-angled transducer cable adaptor is available (A80515). Using the right angled cable adaptor will reduce dimension P above by 20 mm (0.79 in.)

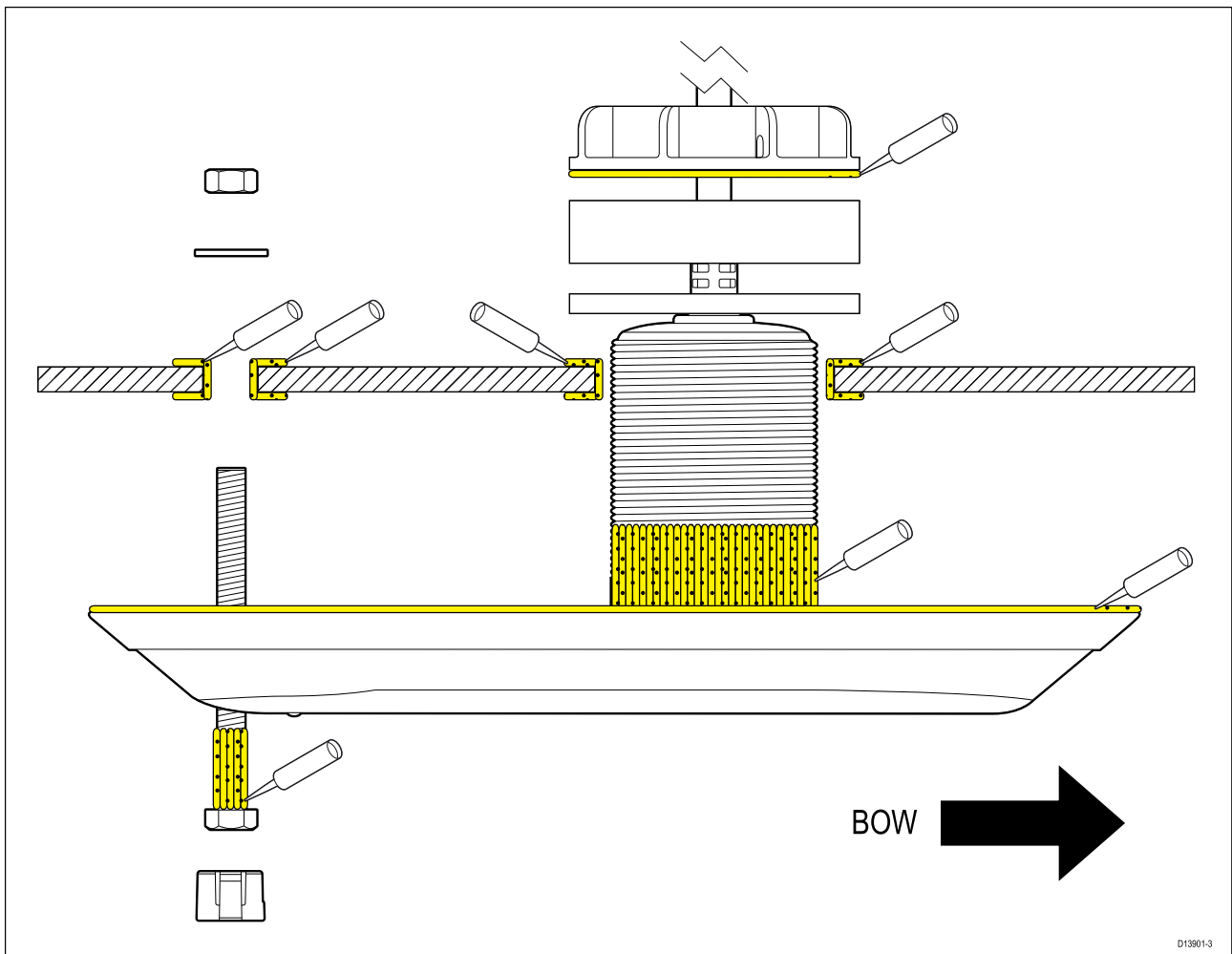
### 3.4 Mounting — RV-3xx plastic thru-hull

This procedure applies to all transducers in the RV-3xx series.

**Important:**

- Only perform the installation with your vessel out of the water.
- Do NOT lift or suspend the transducer using its cable.
- Ensure that the transducer body is supported during installation.
- Do NOT remove the label attached to the transducer cable; as it helps to ensure correct connection.
- Do NOT overtighten the hull nut or anti-rotation bolt. Overtightening can cause damage to the hull which may result in water leaking into the vessel.

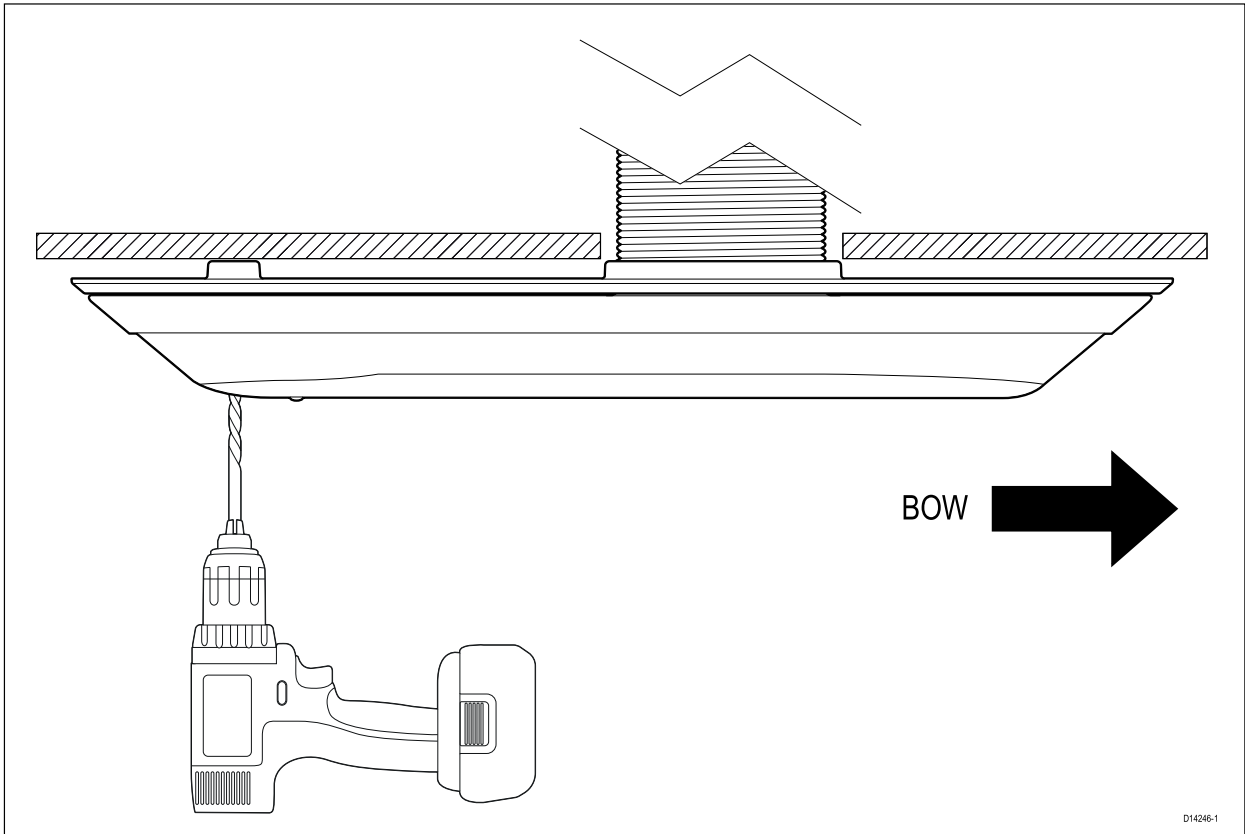
**Spacer top face**



1. Check the labels on the top of the transducer to confirm that you are using the correct type of transducer (port / starboard, 0°, 12° or 20° tilted element) for your chosen mounting location.
2. Using self-adhesive tape, attach the supplied mounting template to your chosen mounting location. Ensure that the 'Bow' arrow on the template is pointed towards the vessel's bow and that the template is flat and not creased.
3. Mark the hole centers, for the transducer stem and anti-rotation bolt, on the hull and then remove the mounting template.
4. Drill a pilot hole for the transducer stem hole.
5. Drill a 62 mm ( $2\frac{29}{64}$  inch) hole for the transducer stem, using a hole cutter.
6. Using a half round file and / or sandpaper, ensure there are no rough edges or burrs around the transducer stem hole.
7. Guide the transducer cable and then the transducer stem up through the transducer stem hole and support from beneath.
8. Ensure that the anti-rotation bolt hole is lined up with the mark you made on the hull.

9. Holding the transducer in place, drill the pilot hole for the anti-rotation bolt (drilling through the anti-rotation hole in the transducer).

### Drilling anti-rotation bolt hole

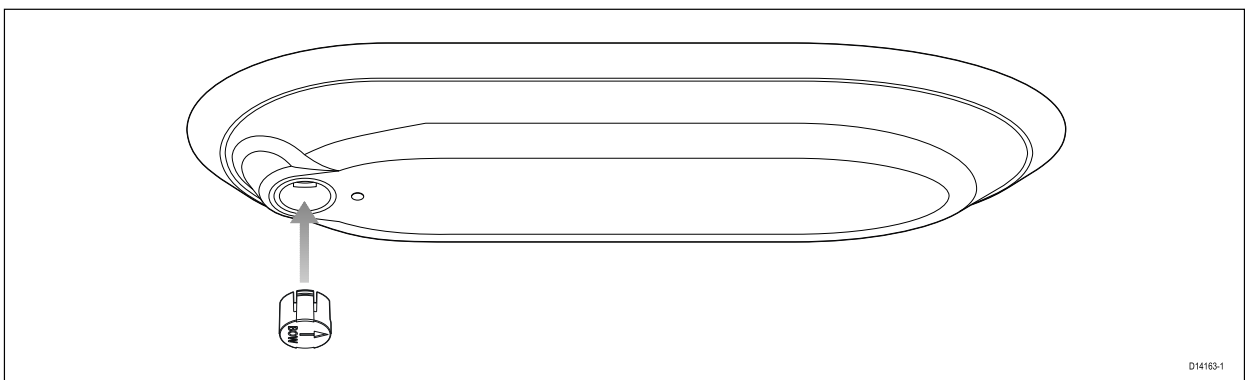


10. Remove the transducer from the hull.
11. Drill a 9 mm ( $\frac{3}{8}$  inch) hole for the anti-rotation bolt.
12. Check that the anti-rotation bolt fits through the hole.
13. Wipe the anti-rotation bolt with an appropriate cleaning agent (for example: isopropyl alcohol), and ensure the surfaces are dry, clean and free from debris.
14. Apply a thick bead of marine-grade sealant around the stem of the anti-rotation bolt, close to the head of the bolt.
15. Guide the anti-rotation bolt through the hole in the transducer, ensuring that the bolt head is properly seated.

*The anti-rotation bolt hole includes a hexagon cutout to prevent the bolt from turning during tightening.*

16. Apply a small amount of marine grade sealant to the inside of the anti-rotation bolt cap.
17. Fit the anti-rotation bolt cap by pressing it firmly into the hole in the transducer.

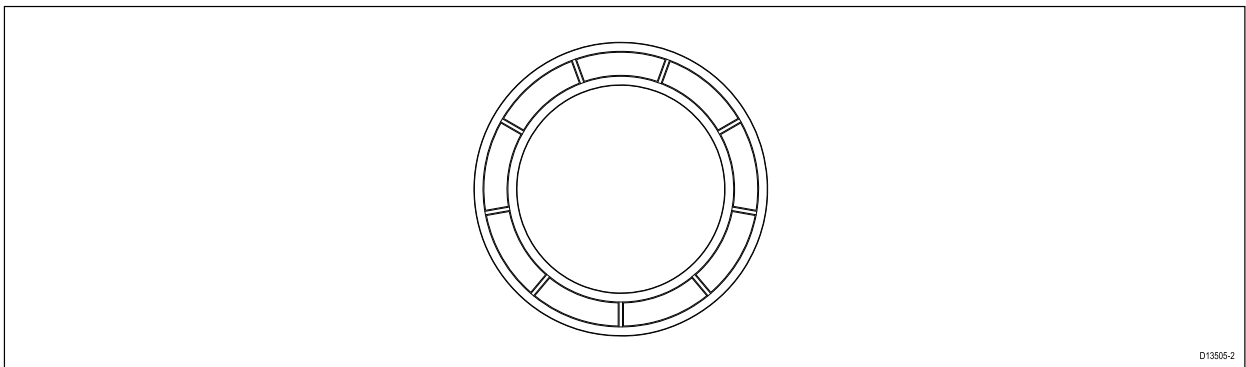
### Fitting anti-rotation hole cap



The embossed “BOW” arrow must be pointing towards the temperature sensor in the base of the transducer.

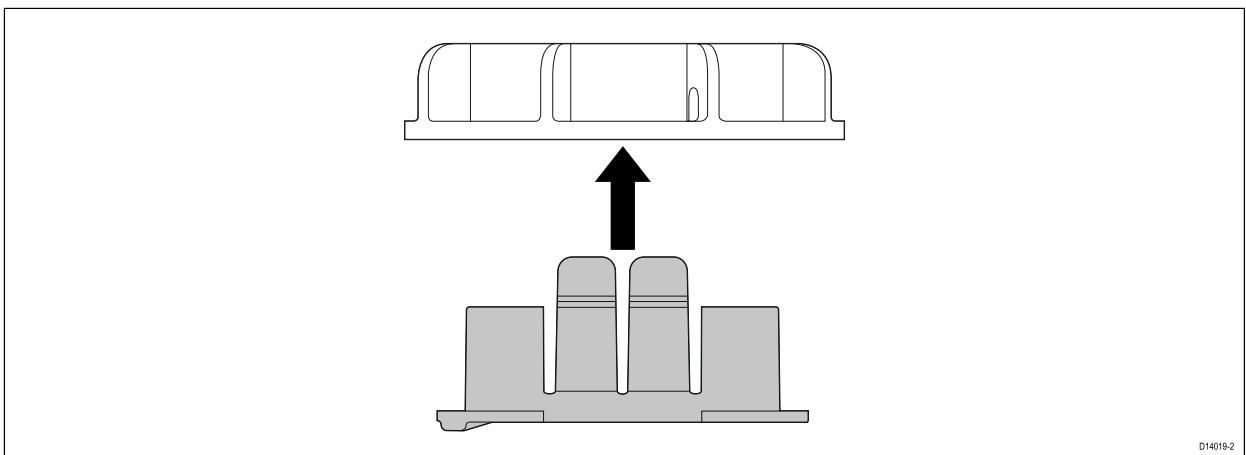
18. Carefully remove all labels from the top face of the transducer.
19. Wipe the top surface of the transducer, including the stem, with an appropriate cleaning agent (for example: isopropyl alcohol), and ensure the surfaces are dry, clean and free from debris.
20. Wipe all surfaces, both outside and inside the hull, with an appropriate cleaning agent (for example, isopropyl alcohol), and ensure they are dry, clean and free from debris.
21. Guide the transducer cable through the transducer stem hole.
22. Apply a thick bead of marine-grade sealant:
  - i. in a continuous bead, all around the base of the transducer stem and anti-rotation bolt hole.
  - ii. all around the threaded section of the stem and protruding anti-rotation bolt, ensuring that the sealant will protrude approximately 6 mm above the final tightened nuts.
  - iii. in a continuous bead, all around the perimeter of the top face of the transducer.
  - iv. all over the top face of the transducer.
  - v. all around the transducer stem and anti-rotation holes, on the exterior of the hull.
23. Guide the transducer stem and anti-rotation bolt up through the holes in the vessel's hull and support from beneath.
24. From inside the vessel, apply a continuous, thick bead of marine-grade sealant all around the base of the protruding transducer stem and anti-rotation bolt threads.
25. Guide the rubber washer down the transducer cable, and over the threaded section of the transducer stem, ensuring that the rubber washer is sitting flush on the hull.
26. Apply additional marine-grade sealant to the transducer stem, above the rubber washer.
27. With the top face pointing upwards, guide the spacer down the transducer cable and over the transducer stem, ensuring it sits flush on the rubber washer.

***Large isolator bush top face***



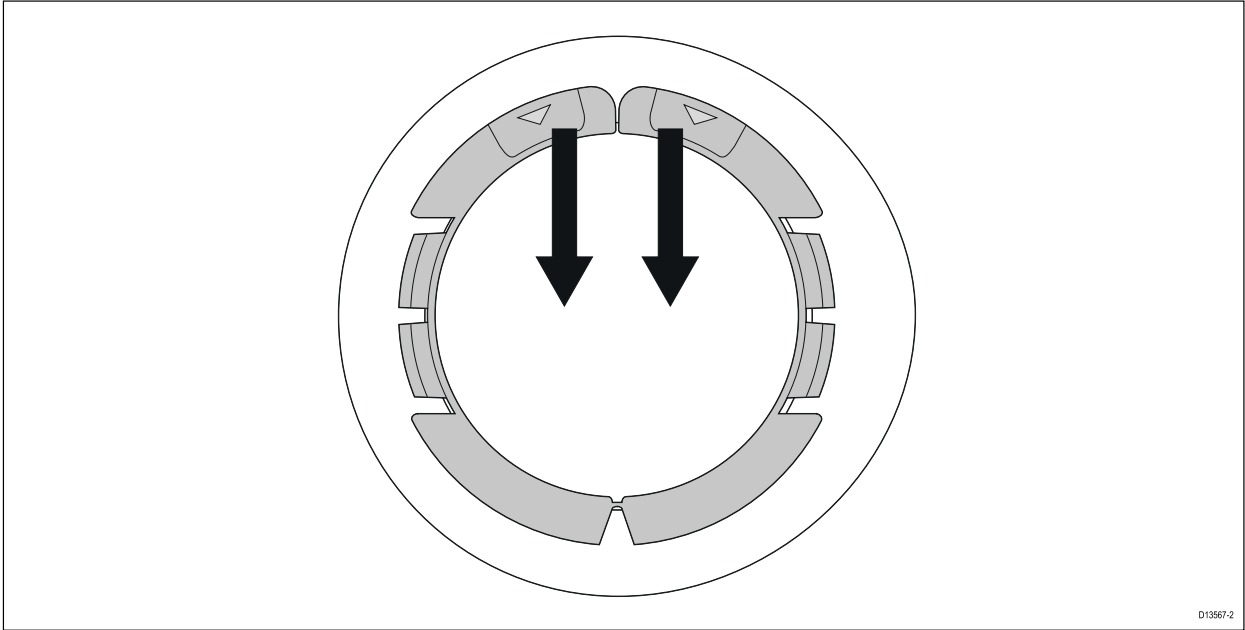
28. Apply additional marine-grade sealant to the transducer stem, above the spacer.
29. Ensuring the cable protector is fitted to the hull nut, guide the nut down the transducer cable, resting the nut on top of the transducer stem.

***Fitting cable protector***



30. Remove the Cable protector by pulling the 2 tabs away from the back of the Hull nut.

### Removing cable protector



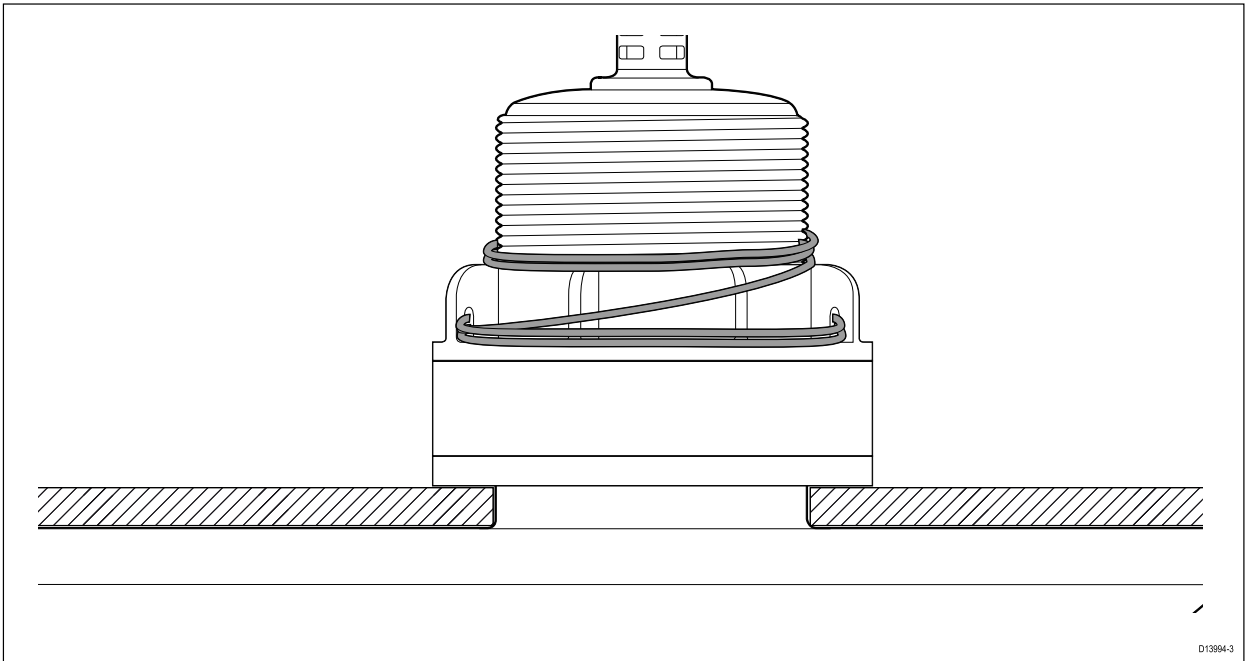
31. Apply a thick bead of marine grade sealant to the bottom face of the hull nut.

32. Screw the hull nut onto the transducer stem and tighten by hand.

*Ensure that the hull nut is adequately tightened. You should see the sealant protruding from the edges of all applied surfaces.*

33. Secure the hull nut by feeding a piece of locking wire (not supplied) through the holes in the nut and then tightly wrapping around the threaded section as close to the top of the nut as possible. The wire should then be tied to prevent it coming loose.

### Locking wire



34. Place the small washer over the anti-rotation bolt.

35. Apply additional marine-grade sealant to the anti-rotation bolt above the small washer.

36. Screw the anti-rotation nut onto the bolt and fully tighten, using a suitable sized wrench (spanner).

37. Remove any excess sealant on the outside of the hull and transducer.

38. Ensure that the marine-grade sealant has fully cured

*Refer to the sealant manufacturer's instructions for curing times.*

39. Apply a water based anti-fouling paint to the bottom face of the transducer, ensuring all of the externally exposed transducer surfaces are coated and the paint overlaps onto the hull.
40. Check for leaks around the transducer immediately upon putting the vessel back in the water.

**Important:**

Do NOT leave your vessel in the water unchecked after installing your transducer. Very small leaks may not be immediately obvious, and considerable bilge water could accumulate over the course of a day, or overnight.

41. Check for leaks at regular intervals after installation until you are satisfied that there are no leaks.
42. Ensure checking for leaks around the transducer is added to your routine vessel maintenance schedule.





## Chapter 4: Connections

### Chapter contents

- 4.1 General cabling guidance on page 34
- 4.2 Cable routing on page 35
- 4.3 Attaching the connector locking collar on page 36
- 4.4 Making connections on page 40

## 4.1 General cabling guidance

### Cable types and length

It is important to use cables of the appropriate type and length

- Unless otherwise stated use only standard cables of the correct type, supplied by Raymarine.
- Ensure that any non-Raymarine cables are of the correct quality and gauge. For example, longer power cable runs may require larger wire gauges to minimize voltage drop along the run.

### Strain relief

Ensure adequate strain relief is provided. Protect connectors from strain and ensure they will not pull out under extreme sea conditions.

### Cable shielding

Ensure that all cables are properly shielded and that the cable shielding is undamaged.

#### **Caution: Transducer cable**

- Do NOT use the transducer cable to lift or suspend the transducer; always support the transducer body directly during installation.
- Do NOT cut, shorten, or splice the transducer cable.
- Do NOT remove the connector.

If the cable is cut, it cannot be repaired. Cutting the cable will also void the warranty.

## 4.2 Cable routing

Cable routing requirements for the transducer cable.

**Important:** To avoid interference, the cable must be routed as far away from VHF radio antenna cables as possible.

**Important:** The transducer cable's connector is supplied with a separate locking collar assembly, used to secure the cable firmly to a RealVision™ 3D sonar-capable device (e.g. Axiom RV multifunction display). Ensure that you route the cable all the way to the 3D sonar-capable device **before** attaching the locking collar.

- Check that the cable is long enough to reach the equipment it will be connected to. If you are installing split-pair transducers, you must use a Y-cable (A80478) along with an extension cable to connect the transducers to your RealVision™ 3D sonar-capable device (e.g. Axiom RV multifunction display).
- Use grommets in any pass-through holes to prevent damage to the transducer cable.
- Secure the cable at regular intervals using cable clips (not supplied).
- Take care not to apply excessive strain to the cable where it leaves the transducer. Where possible, allow the cable to lay naturally as it leaves the transducer, before securing it with cable clips.
- Do not bend the transducer cable beyond its minimum bend radius. This is particularly important at the point where the cable leaves the transducer.
- Any excess cable should be coiled up at a convenient location.

### RealVision™ 3D transducer extension cable

For best performance, cable runs should be kept to a minimum. However, for some installations (including all split-pair transducer installations) it may be necessary to extend the transducer cable.

The following optional extension cables are available:

- RealVision™ transducer extension cable 3 m (9.8 ft) (part number A80475)
- RealVision™ transducer extension cable 5 m (16.4 ft) (part number A80476)
- RealVision™ transducer extension cable 8 m (26.2 ft) (part number A80477)

It is recommended that a maximum of two cable extensions are used, with the total cable length (including the transducer's fitted cable) not exceeding 24 m (78.7 ft).

### 4.3 Attaching the connector locking collar

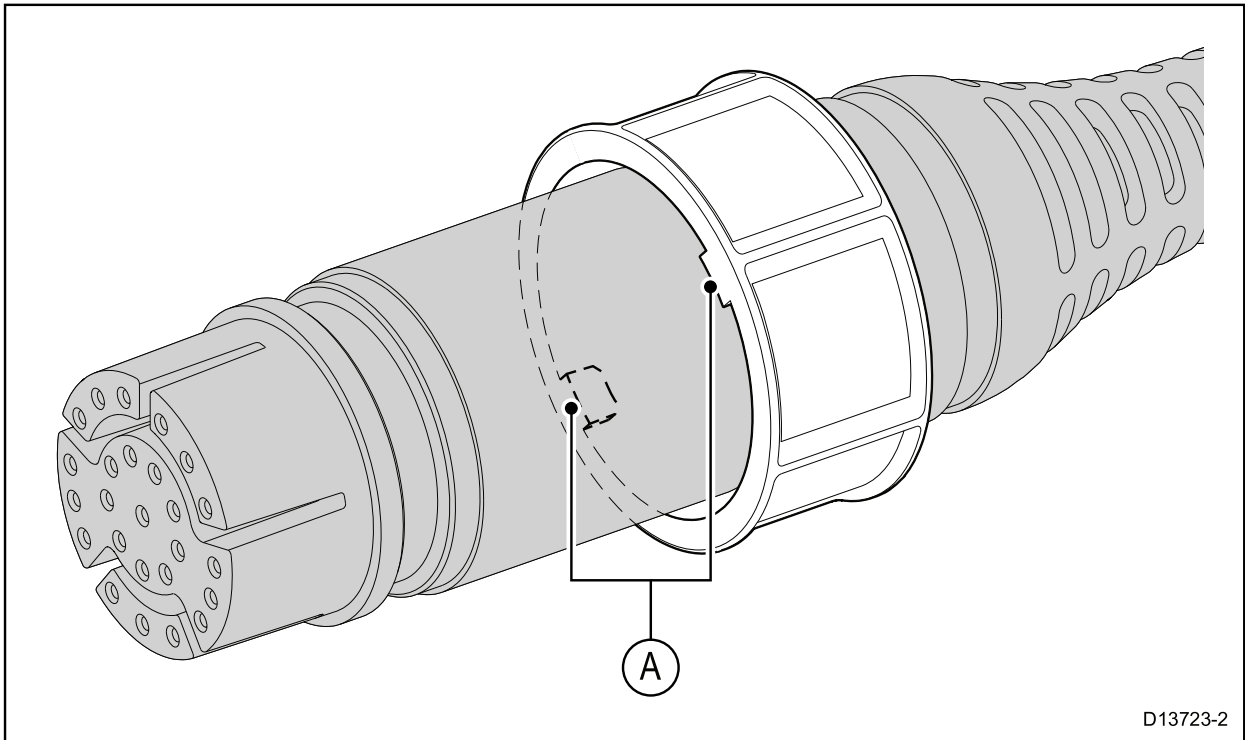
The supplied cable is provided with a separate locking collar assembly, ensuring that the cable connection is secure.

This procedure describes how to attach the locking collar to the cable connector. The locking collar parts are supplied in a separate bag, in the package with your product.

**Important:** Ensure that you route the cable all the way to its destination **before** attaching the locking collar.

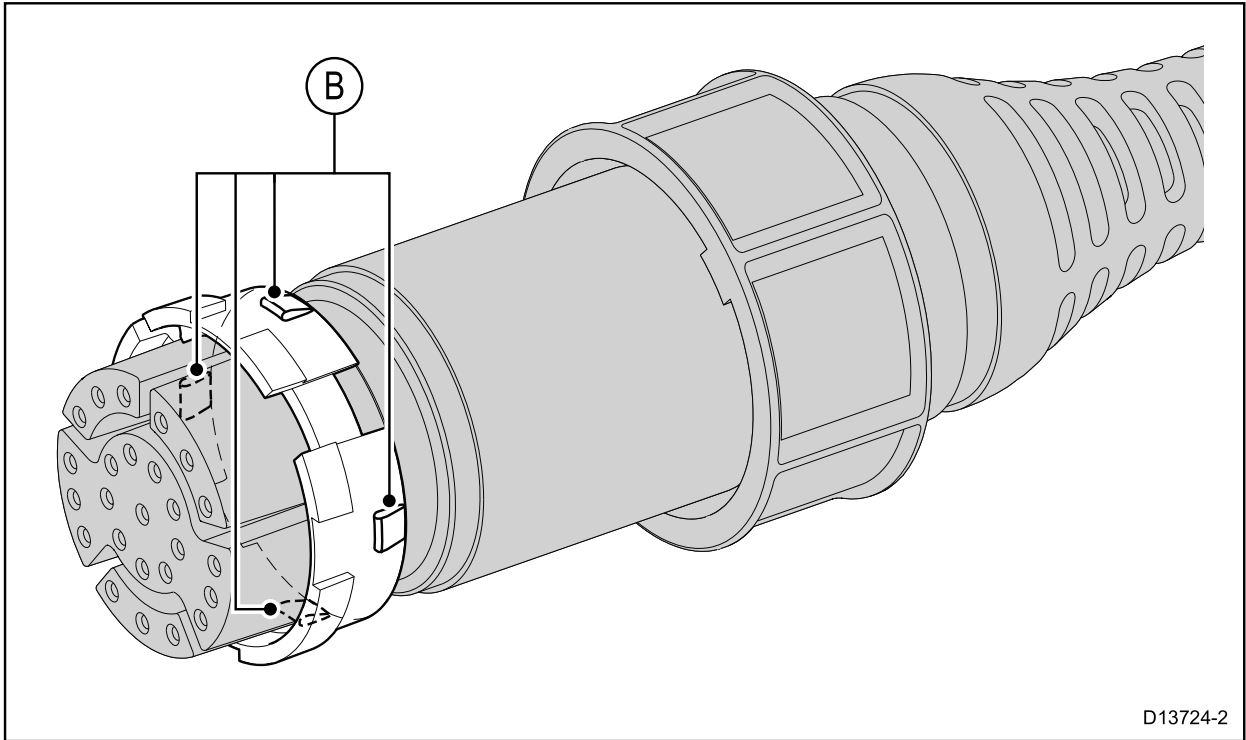
1. Slide the locking collar over the end of the connector, then push it towards the cable-end of the connector.

**Important:** Ensure that the lugs on the locking collar (labelled 'A' in the illustration), are closest to the plug-end of the connector.



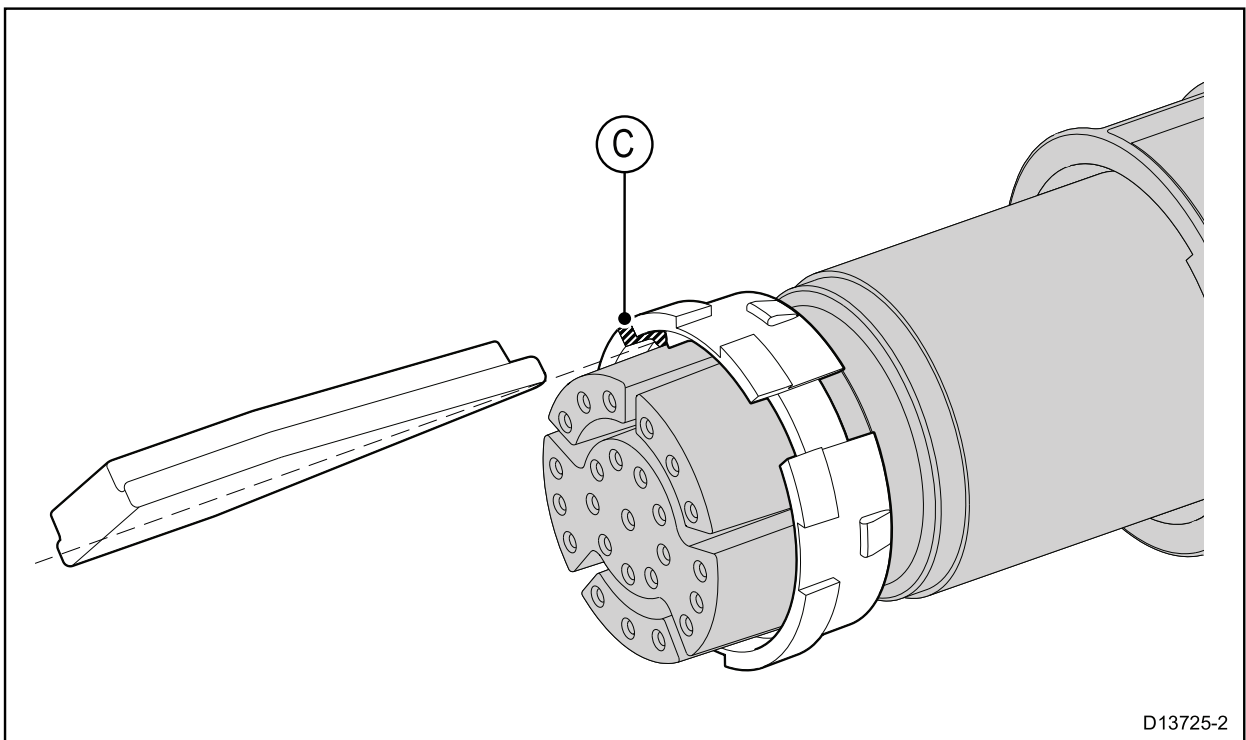
2. Slide the split-ring over the end of the connector, then push it towards the cable-end of the connector.

**Important:** Ensure that the tabs on the split-ring (labelled 'B' in the illustration), are closest to the cable-end of the connector.



*The split-ring slides easily for approximately 1 cm onto the connector, before butting up against the connector moulding.*

- Carefully insert the pointed end of the supplied tool into the split-ring's gap (labelled 'C' in the illustration).

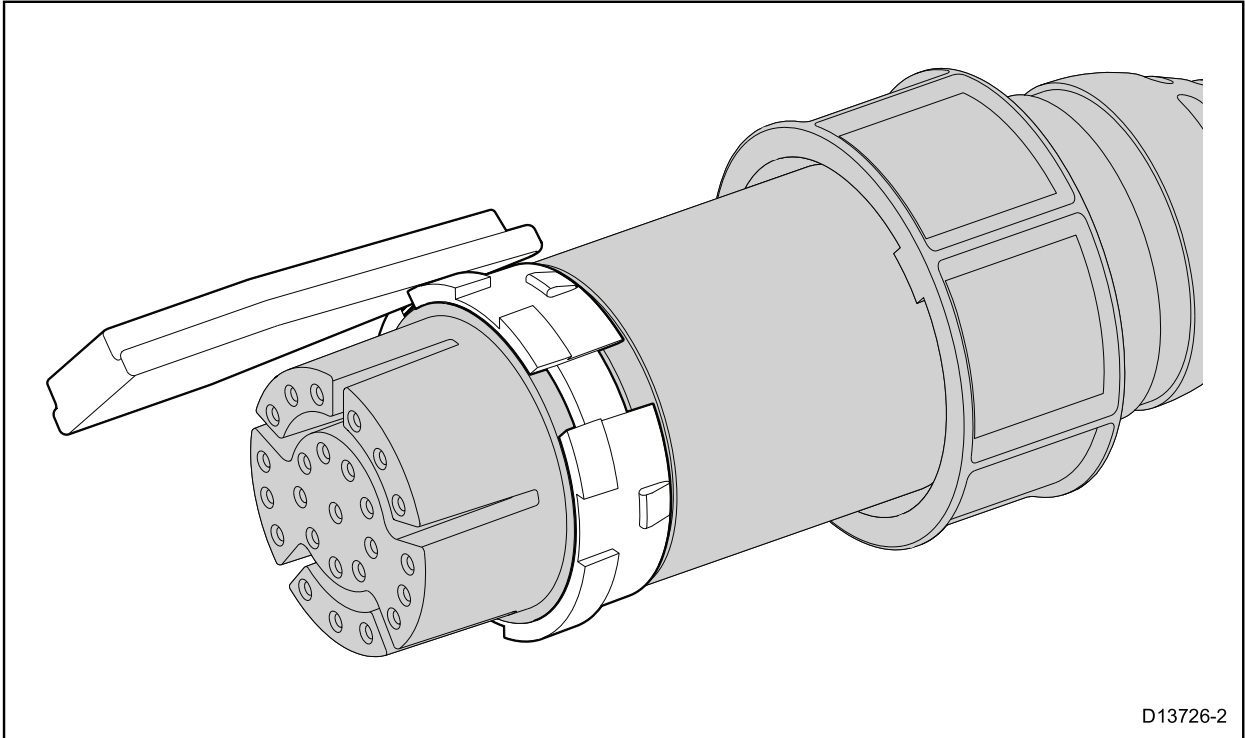


*The tool widens the gap in the split ring, enabling the split ring to be pushed further back onto the connector in the following step.*

**Important:**

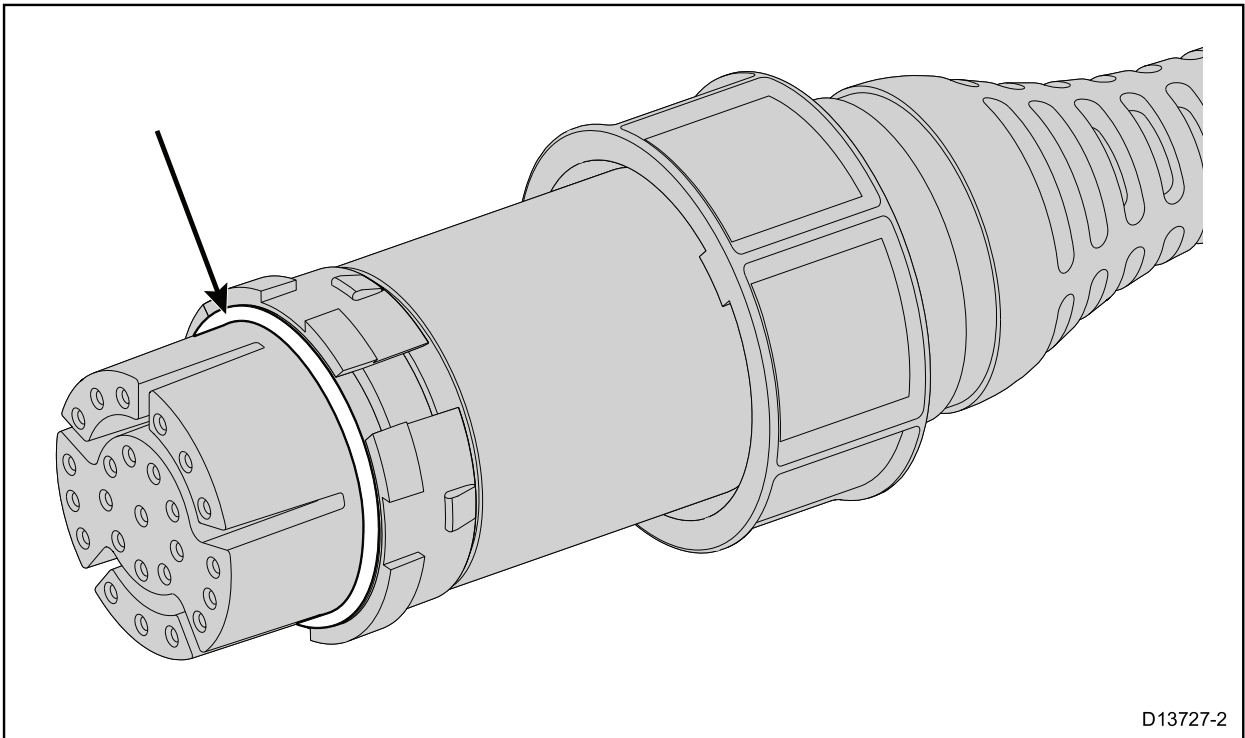
- Always use the supplied tool when attaching the split ring. The split ring may become overstretched and break if you try to attach it without using the tool.
- A spare split ring is supplied with the locking collar assembly, in case of breakage.

4. Use the tool to gently lever the split ring over the moulding on the connector until it snaps into position approximately 0.5 cm further back towards the cable-end of the connector.

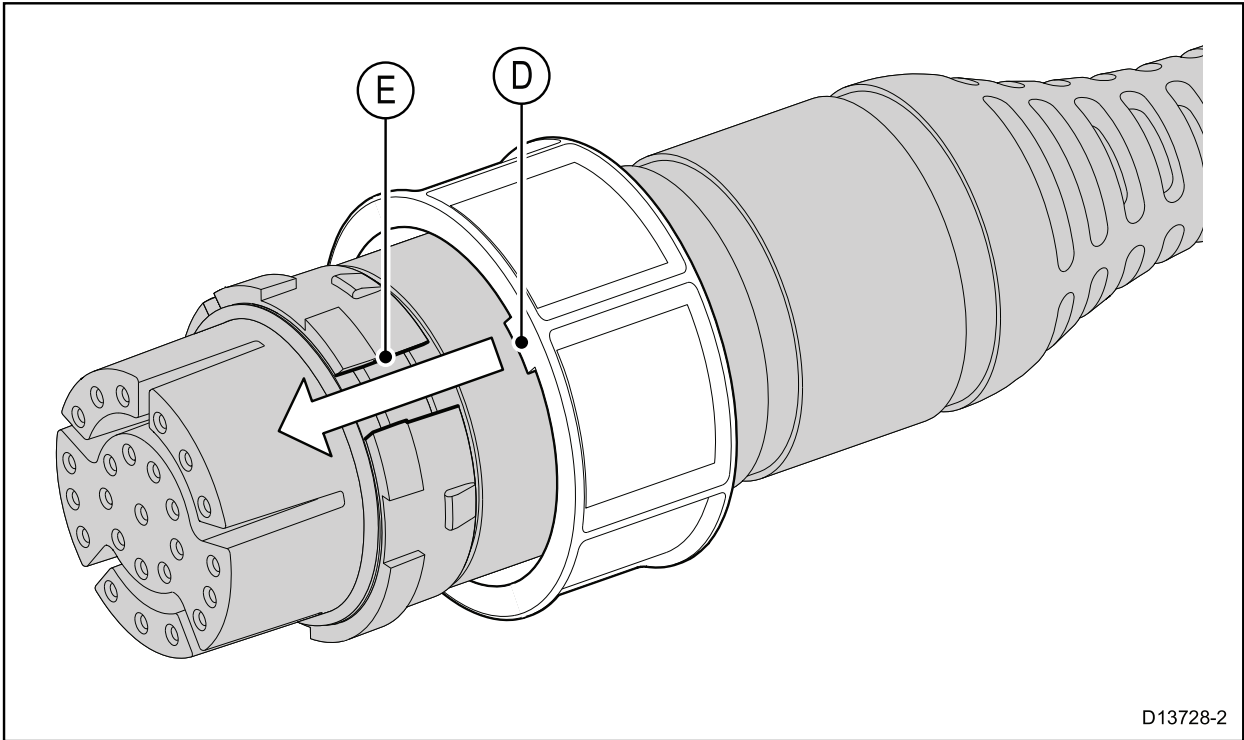


*You can now remove the tool. The split-ring stays in position on the connector, but rotates freely.*

5. Slide the O-ring (arrowed) over the end of the connector, and ensure that it is seated squarely against the connector moulding, adjacent to the split-ring.

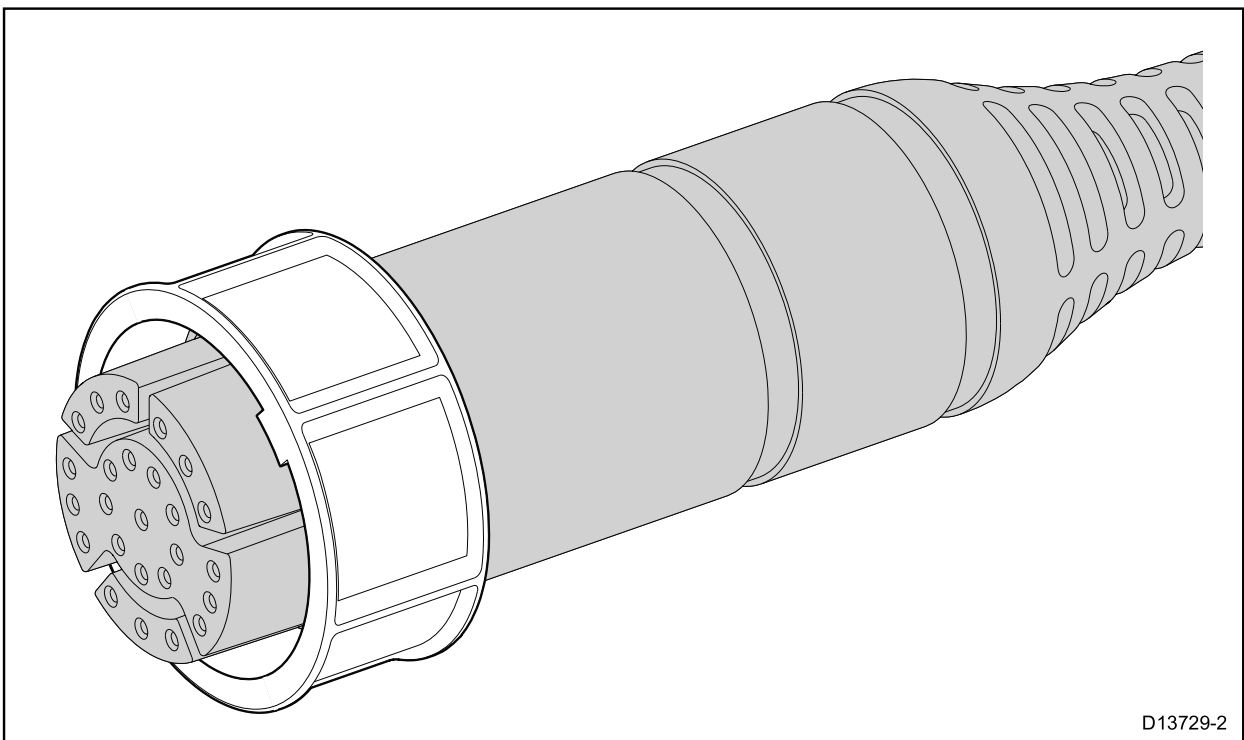


6. Slide the locking collar towards the plug-end of the connector, rotating the collar as necessary to ensure that the lugs on the locking collar (labelled 'D' in the illustration) pass through the channels (labelled 'E') in the split-ring.



*The locking collar slides easily towards the plug-end of the connector, before butting up against the split-ring moulding.*

7. Grasp the body of the connector with one hand, then with the other hand, pull the locking collar firmly towards the plug-end of the connector.



*As you pull the locking collar, it clicks into place over the split-ring. The locking collar stays in position on the connector, but rotates freely.*

## 4.4 Making connections

Follow the steps below to connect the transducer cable to a RealVision™ 3D sonar-capable device (for example, Axiom RV multifunction display).

1. Ensure that the vessel's power supply is switched off.
2. If your installation comprises split-pair transducers:
  - i. Connect the cable from each transducer to the Y-cable tails (A80478); check the colored labels on the cables to ensure that the transducers are connected to the correct Y-cable tail.
  - ii. Connect an extension cable to the remaining free plug on the Y-cable. See [RealVision™ 3D transducer extension cable](#).
3. Ensuring correct orientation, push the transducer cable (or extension cable) connector fully onto the corresponding connector on the RealVision™ 3D sonar-capable device (for example, Axiom RV multifunction display).
4. Turn the locking collar clockwise to secure the cable.



## Chapter 5: System checks and troubleshooting

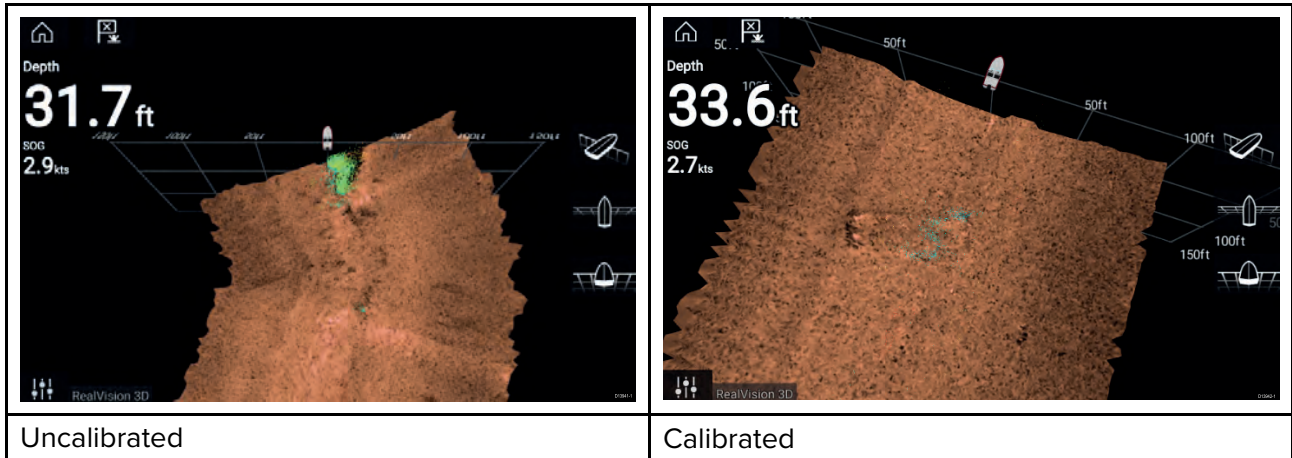
### Chapter contents

- [5.1 RealVision™ 3D AHRS calibration on page 42](#)
- [5.2 Troubleshooting on page 43](#)

## 5.1 RealVision™ 3D AHRS calibration

RealVision™ 3D transducers include a built-in AHRS (Attitude and Heading Reference Sensor), which measures the motion of your vessel to assist in the rendering of sonar images. After installation all RealVision™ 3D transducers require calibration.

An uncalibrated transducer can produce an offset to the front edge of the render of the bottom in the sonar image, as illustrated below.



Calibration is an automatic process and starts after your vessel has turned approximately 100° at a speed of between 3 –15 knots. Calibration requires no user input, however at least a 270° turn is required before the calibration process can determine the local deviation and apply a relevant offset.

The time it takes to complete the calibration process will vary according to the characteristics of the vessel, the installation environment of the transducer, and the levels of magnetic interference at the time of conducting the process. Sources of significant magnetic interference may increase the time required to complete the calibration process. Certain areas with substantial magnetic deviation may require extra circles or “figure of 8” manoeuvres to be performed. Examples of such sources of magnetic interference include:

- Marine pontoons
- Metal-hulled vessels
- Underwater cables

**Note:**

The Calibration process will require repeating after a **Sonar reset** or **MFD Factory reset**.

## 5.2 Troubleshooting

The troubleshooting information provides possible causes and corrective action required for common problems associated with installation and operation of your product.

Before packing and shipping, all Raymarine products are subjected to comprehensive testing and quality assurance programs. If you do experience problems with your product this section will help you to diagnose and correct problems in order to restore normal operation.

If after referring to this section you are still having problems with your product, please refer to the Technical support section of this manual for useful links and Raymarine Product Support contact details.

### Operation instructions

For detailed operation instructions for your product, refer to the documentation that accompanies your display.

All product documentation is available to download from the Raymarine website: [www.raymarine.com/manuals](http://www.raymarine.com/manuals).

### Sonar troubleshooting

#### Scrolling image is not being displayed

Possible causes	Possible solutions
Sonar disabled	Enable <b>Ping</b> from the Sonar app's sounder tab: <b>Menu &gt; Settings &gt; Sounder &gt; Ping</b> .
Incorrect transducer selected	Check that the correct transducer is selected in the Sonar app's Transducer tab: <b>Menu &gt; Settings &gt; Transducer &gt; Ping</b> .
Damaged cables	<ol style="list-style-type: none"> <li>1. Check that the transducer cable connector is fully inserted and locked in position.</li> <li>2. Check the power supply cable and connectors for signs of damage or corrosion, replace if necessary.</li> <li>3. With the unit turned on, try flexing the cable near to the display connector to see if this causes the unit to re-boot/lose power, replace if necessary.</li> <li>4. Check the vessel's battery voltage, the condition of the battery terminals and power supply cables, ensuring connections are secure, clean and free from corrosion, replace if necessary.</li> <li>5. With the product under load, using a multi-meter, check for high voltage drop across all connectors/fuses etc (this can cause the Fishfinder applications to stop scrolling or the unit to reset/turn off), replace if necessary.</li> </ol>
Damaged or fouled transducer	Check transducer condition, ensuring it is not damaged and is free from debris/fouling. If necessary, clean or replace your transducer. After cleaning or replacement coat the transducer using a water-based anti-fouling paint.
Wrong transducer fitted	Check product and transducer documentation and ensure that the transducer is compatible with your system.
External sonar module: SeaTalkhs / RayNet network problem.	<ul style="list-style-type: none"> <li>• Check that the unit is correctly connected to the MFD or network switch. Check all connections ensuring connections are secure, clean and free from corrosion, replace if necessary.</li> </ul>
External sonar module: Software mismatch between equipment may prevent communication.	Ensure all Raymarine products contain the latest available software, check the Raymarine website: <a href="http://www.raymarine.com/software">www.raymarine.com/software</a> for software compatibility.

### No depth reading / lost bottom lock

Possible causes	Possible solutions
Transducer location	Check that the transducer has been installed in accordance with the instructions provided with the transducer.
Transducer angle	If the transducer angle is too great the beam can miss the bottom, adjust transducer angle and recheck.
Transducer kicked-up	If the transducer has a kick-up mechanism, check that it has not kicked up due to hitting an object.
Power source insufficient	With the product under load, using a multi-meter, check the power supply voltage as close to the unit as possible to establish actual voltage when the current is flowing. (Check your product's Technical specification for power supply requirements.)
Damaged or fouled transducer	Check transducer condition, ensuring it is not damaged and is free from debris/fouling. If necessary, clean or replace your transducer. After cleaning or replacement coat the transducer using a water-based anti-fouling paint.
Damaged cables	<ol style="list-style-type: none"> <li>1. Check the unit's connector for broken or bent pins.</li> <li>2. Check that the cable connector is fully inserted into the unit and that the locking collar is in the locked position.</li> <li>3. Check the cable and connectors for signs of damage or corrosion, replace if necessary.</li> <li>4. With the unit turned on, try flexing the power cable near to the display connector to see if this causes the unit to re-boot/lose power, replace if necessary.</li> <li>5. Check the vessel's battery voltage, the condition of the battery terminals and power supply cables, ensuring connections are secure, clean and free from corrosion, replace if necessary.</li> <li>6. With the product under load, using a multi-meter, check for high voltage drop across all connectors/fuses etc (this can cause the Fishfinder applications to stop scrolling or the unit to reset/turn off), replace if necessary.</li> </ol>
Vessel speed too high	Slow vessel speed and recheck.
Bottom too shallow or too deep	The bottom depth may be outside of the transducers depth range, move vessel to shallower or deeper waters as relevant and recheck.

### Poor / problematic image

Possible causes	Possible solutions
Targets will appear differently if your vessel is stationary (e.g.: fish will appear on the display as straight lines).	Increase vessel speed.
Scrolling paused or speed set too low	Unpause or increase sonar scrolling speed.
Sensitivity settings may be inappropriate for present conditions.	Check and adjust sensitivity settings or perform a Sonar reset.

Possible causes	Possible solutions
Damaged cables	<ol style="list-style-type: none"> <li>1. Check the unit's connector for broken or bent pins.</li> <li>2. Check that the cable connector is fully inserted into the unit and that the locking collar is in the locked position.</li> <li>3. Check the cable and connectors for signs of damage or corrosion, replace if necessary.</li> <li>4. With the unit turned on, try flexing the power cable near to the display connector to see if this causes the unit to re-boot/loose power, replace if necessary.</li> <li>5. Check the vessel's battery voltage, the condition of the battery terminals and power supply cables, ensuring connections are secure, clean and free from corrosion, replace if necessary.</li> <li>6. With the product under load, using a multi-meter, check for high voltage drop across all connectors/fuses etc (this can cause the Fishfinder applications to stop scrolling or the unit to reset/turn off), replace if necessary.</li> </ol>
Transducer location	<ul style="list-style-type: none"> <li>• Check that the transducer has been installed in accordance with the instructions provided with the transducer.</li> <li>• If a transom mount transducer is mounted too high on the transom it may be lifting out of the water, check that the transducer face is fully submerged when planing and turning.</li> </ul>
Transducer kicked-up	If the transducer has a kick-up mechanism, check that it has not kicked up due to hitting an object.
Damaged or fouled transducer	<p>Check transducer condition, ensuring it is not damaged and is free from debris/fouling. If necessary, clean or replace your transducer.</p> <p>After cleaning or replacement coat the transducer using a water-based anti-fouling paint.</p>
Damaged transducer cable	Check that the transducer cable and connection is free from damage and that the connections are secure and free from corrosion.
Turbulence around the transducer at higher speeds may affect transducer performance	Slow vessel speed and recheck.
Interference from another transducer	<ol style="list-style-type: none"> <li>1. Turn off the transducer causing the interference.</li> <li>2. Reposition the transducers so they are farther apart.</li> </ol>
Unit power supply fault	Check the voltage from the power supply, if this is too low it can affect the transmitting power of the unit.

## Resetting the sonar module

You can use the reset function on a compatible Raymarine multifunction display to restore the sonar module to its factory default settings.

In the fishfinder application:

1. Select **Menu**.
2. Select **Set-up**.
3. Select **Sounder Set-up**.
4. Select **Sonar Reset**.
5. Select **Yes** to confirm or **No** to abort the operation, as appropriate.

The unit will now be reset to factory default settings.



## Chapter 6: Maintenance

### Chapter contents

- 6.1 Routine checks on page 48
- 6.2 Unit cleaning instructions on page 49

## 6.1 Routine checks

The following periodic checks should be made:

- Examine cables for signs of damage, such as chafing, cuts or nicks.
- Check that the cable connectors are firmly attached and that their locking mechanisms are properly engaged.

**Note:** Cable checks should be carried out with the power supply switched off.



### **Warning: High voltage**

This product contains high voltage. Adjustments require specialized service procedures and tools only available to qualified service technicians. There are no user serviceable parts or adjustments. The operator should never remove the cover or attempt to service the product.



## 6.2 Unit cleaning instructions

The unit does not require regular cleaning. However, if you find it necessary to clean the unit, please follow the steps below:

1. Ensure power is switched off.
2. Wipe unit clean with a damp cloth.
3. If necessary, use a mild detergent solution to remove grease marks.

### Transducer care and cleaning

Growth can collect on the bottom of the transducer, this can reduce performance. To prevent the build-up of sea growth, coat the transducer with a thin layer of water-based anti-fouling paint, available from your local marine dealer. Reapply paint every 6 months or at the beginning of each boating season. Certain smart transducers have restrictions on where antifouling paint is applied. Please consult your dealer.

**Note:**

- Transducers with a temperature sensor may not work properly if painted.
- Do NOT use copper-based antifouling paint.
- Never use ketone-based paint. Ketones can attack many plastics, possibly damaging the sensor.
- Never use a spray can or a sponge roller to apply paint to your transducer. Using these methods causes tiny air bubbles to be incorporated in the paint, and a marine transducer cannot transmit properly through air.
- Harsh cleaning solvents such as acetone WILL damage the transducer.

Use a soft cloth and mild household detergent to clean the transducer. If the fouling is severe, remove the growth with a tough cleaning pad, such as a green Scotch Brite™ pad for example. Be careful to avoid scratching the face of the transducer.



## Chapter 7: Technical support

### Chapter contents

- [7.1 Raymarine product support and servicing on page 52](#)
- [7.2 Learning resources on page 54](#)

## 7.1 Raymarine product support and servicing

Raymarine provides a comprehensive product support service, as well as warranty, service, and repairs. You can access these services through the Raymarine website, telephone, and e-mail.

### Product information

If you need to request service or support, please have the following information to hand:

- Product name.
- Product identity.
- Serial number.
- Software application version.
- System diagrams.

You can obtain this product information using the menus within your product.

### Servicing and warranty

Raymarine offers dedicated service departments for warranty, service, and repairs.

Don't forget to visit the Raymarine website to register your product for extended warranty benefits:

<http://www.raymarine.co.uk/display?id=788>.

Region	Contact
United Kingdom (UK), EMEA, and Asia Pacific	<ul style="list-style-type: none"><li>• E-Mail: <a href="mailto:emea.service@raymarine.com">emea.service@raymarine.com</a></li><li>• Tel: +44 (0)1329 246 932</li></ul>
United States (US)	<ul style="list-style-type: none"><li>• E-Mail: <a href="mailto:rm-usrepair@flir.com">rm-usrepair@flir.com</a></li><li>• Tel: +1 (603) 324 7900</li></ul>

### Web support

Please visit the "Support" area of the Raymarine website for:

- **Manuals and Documents** — <http://www.raymarine.com/manuals>
- **FAQ / Knowledgebase** — <http://www.raymarine.com/knowledgebase>
- **Technical support forum** — <http://forum.raymarine.com>
- **Software updates** — <http://www.raymarine.com/software>

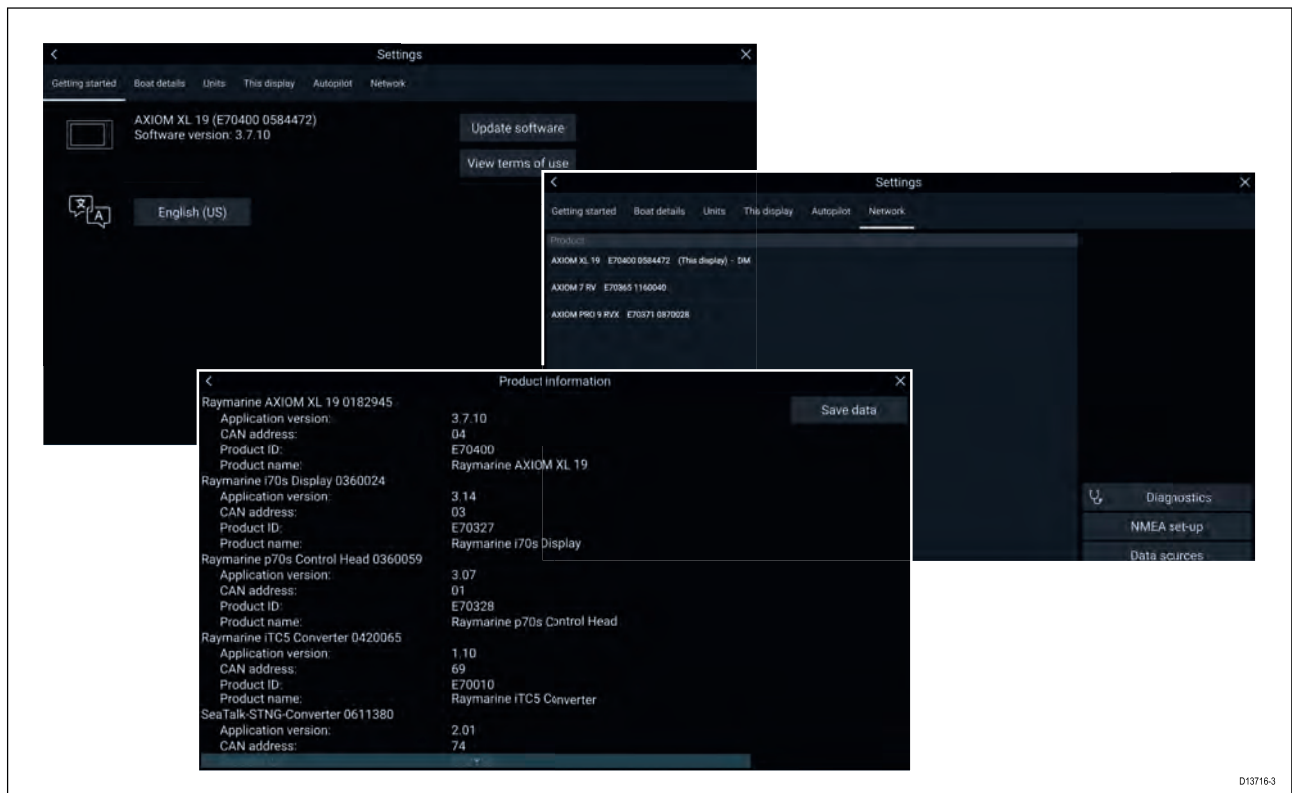
### Worldwide support

Region	Contact
United Kingdom (UK), EMEA, and Asia Pacific	<ul style="list-style-type: none"><li>• E-Mail: <a href="mailto:support.uk@raymarine.com">support.uk@raymarine.com</a></li><li>• Tel: +44 (0)1329 246 777</li></ul>
United States (US)	<ul style="list-style-type: none"><li>• E-Mail: <a href="mailto:support@raymarine.com">support@raymarine.com</a></li><li>• Tel: +1 (603) 324 7900 (Toll-free: +800 539 5539)</li></ul>
Australia and New Zealand (Raymarine subsidiary)	<ul style="list-style-type: none"><li>• E-Mail: <a href="mailto:aus.support@raymarine.com">aus.support@raymarine.com</a></li><li>• Tel: +61 2 8977 0300</li></ul>
France (Raymarine subsidiary)	<ul style="list-style-type: none"><li>• E-Mail: <a href="mailto:support.fr@raymarine.com">support.fr@raymarine.com</a></li><li>• Tel: +33 (0)1 46 49 72 30</li></ul>
Germany (Raymarine subsidiary)	<ul style="list-style-type: none"><li>• E-Mail: <a href="mailto:support.de@raymarine.com">support.de@raymarine.com</a></li><li>• Tel: +49 (0)40 237 808 0</li></ul>
Italy (Raymarine subsidiary)	<ul style="list-style-type: none"><li>• E-Mail: <a href="mailto:support.it@raymarine.com">support.it@raymarine.com</a></li><li>• Tel: +39 02 9945 1001</li></ul>
Spain (Authorized Raymarine distributor)	<ul style="list-style-type: none"><li>• E-Mail: <a href="mailto:sat@azimut.es">sat@azimut.es</a></li><li>• Tel: +34 96 2965 102</li></ul>
Netherlands (Raymarine subsidiary)	<ul style="list-style-type: none"><li>• E-Mail: <a href="mailto:support.nl@raymarine.com">support.nl@raymarine.com</a></li><li>• Tel: +31 (0)26 3614 905</li></ul>

Region	Contact
Sweden (Raymarine subsidiary)	<ul style="list-style-type: none"> <li>E-Mail: <a href="mailto:support.se@raymarine.com">support.se@raymarine.com</a></li> <li>Tel: +46 (0)317 633 670</li> </ul>
Finland (Raymarine subsidiary)	<ul style="list-style-type: none"> <li>E-Mail: <a href="mailto:support.fi@raymarine.com">support.fi@raymarine.com</a></li> <li>Tel: +358 (0)207 619 937</li> </ul>
Norway (Raymarine subsidiary)	<ul style="list-style-type: none"> <li>E-Mail: <a href="mailto:support.no@raymarine.com">support.no@raymarine.com</a></li> <li>Tel: +47 692 64 600</li> </ul>
Denmark (Raymarine subsidiary)	<ul style="list-style-type: none"> <li>E-Mail: <a href="mailto:support.dk@raymarine.com">support.dk@raymarine.com</a></li> <li>Tel: +45 437 164 64</li> </ul>
Russia (Authorized Raymarine distributor)	<ul style="list-style-type: none"> <li>E-Mail: <a href="mailto:info@mikstmarine.ru">info@mikstmarine.ru</a></li> <li>Tel: +7 495 788 0508</li> </ul>

### Viewing product information (LightHouse™ 3)

Use the **Settings** menu to view hardware and software information about your MFD, and connected products.





1. Select **Settings**, from the Homescreen.  
The **Getting started** tab contains hardware and software information for your MFD.
2. You can view further information about your MFD, or view information about products networked using SeaTalkhs® and SeaTalkng® / NMEA 2000, by selecting the **Network** tab, then:
  - i. to display detailed software information and your MFD's network IP address, select your MFD from the list.
  - ii. to display detailed diagnostics information for all products, select **Product info** from the **Diagnostics** pop over menu.

## 7.2 Learning resources

Raymarine has produced a range of learning resources to help you get the most out of your products.

### Video tutorials

 <b>YouTube</b>	Raymarine official channel on YouTube: <ul style="list-style-type: none"><li>• <a href="http://www.youtube.com/user/RaymarineInc">http://www.youtube.com/user/RaymarineInc</a></li></ul> LightHouse™ 3 tips and tricks: <ul style="list-style-type: none"><li>• <a href="http://www.raymarine.com/multifunction-displays/light-house3/tips-and-tricks">http://www.raymarine.com/multifunction-displays/light-house3/tips-and-tricks</a></li></ul>
	Video Gallery: <ul style="list-style-type: none"><li>• <a href="http://www.raymarine.co.uk/view/?id=2679">http://www.raymarine.co.uk/view/?id=2679</a></li></ul>

#### Note:

- Viewing the videos requires a device with an Internet connection.
- Some videos are only available in English.

### Training courses

Raymarine regularly runs a range of in-depth training courses to help you make the most of your products. Visit the Training section of the Raymarine website for more information:

- <http://www.raymarine.co.uk/view/?id=2372>

### FAQs and Knowledge Base

Raymarine has produced an extensive set of FAQs and a Knowledge Base to help you find more information and troubleshoot any issues.

- <http://www.raymarine.co.uk/knowledgebase/>

### Technical support forum

You can use the Technical support forum to ask a technical question about a Raymarine product or to find out how other customers are using their Raymarine equipment. The resource is regularly updated with contributions from Raymarine customers and staff:

- <http://forum.raymarine.com>

## Chapter 8: Technical specification

### Chapter contents

- [8.1 Technical specification on page 56](#)

## 8.1 Technical specification

### Physical specification

<b>Dimensions</b>	<ul style="list-style-type: none"> <li>• Length: 310.5 mm (12.22 in.)</li> <li>• Height: 110.0 mm (4.33 in.)</li> <li>• Width: 106.7 mm (4.20 in.)</li> </ul>
<b>Cable length</b>	Attached cable: RV-300: 8 m (26.2 ft) RV-3xxP/S: 2 m (6.5 ft) An extension cable is also supplied with RV-3xxP/S split-pair transducers when supplied as a pair: 8 m (26.2 ft.)
<b>Weight (including attached cable and all fixings)</b>	RV-300: 1.5 kg (3.3 lb) RV-312P: 1.5 kg (3.3 lb) RV-312S: 1.5 kg (3.3 lb) RV-312x pair: 2.0 kg (4.4 lb) RV-320P: 1.5 kg (3.3 lb) RV-320S: 1.5 kg (3.3 lb) RV-320x pair: 2.0 kg (4.4 lb)

### Environmental specification

<b>Operating temperature</b>	−2°C (28.4°F) to + 55°C (131°F)
<b>Storage temperature</b>	−20°C (23°F) to + 70°C (158°F)
<b>Waterproof rating</b>	<ul style="list-style-type: none"> <li>• IPx6 (surfaces exterior to hull, only)</li> <li>• IPx7</li> <li>• IPx8</li> </ul>

### RealVision™ 3D sonar specification

The following specification only applies to RealVision™ 3D products.

<b>Channels</b>	Channels <ul style="list-style-type: none"> <li>• 1 x CHIRP sonar</li> <li>• 1 x DownVision™</li> <li>• 1 x SideVision™</li> <li>• 1 x RealVision™ 3D</li> </ul>
<b>Range</b>	<ul style="list-style-type: none"> <li>• CHIRP sonar = 0.6 M (2 ft) to 274 m (900 ft)</li> <li>• DownVision™ = 0.6 M (2 ft) to 183 m (600 ft)</li> <li>• SideVision™ = 0.6 M (2 ft) to 91 m (300 ft)</li> <li>• RealVision™ 3D = 0.6 M (2 ft) to 91 m (300 ft)</li> </ul>

### Conformance specification

<b>Conformance</b>	<ul style="list-style-type: none"> <li>• EN 60945:2002</li> <li>• IEC 28846:1993</li> <li>• EMC Directive 2014/30/EU</li> <li>• Australia and New Zealand: C-Tick, Compliance Level 2</li> </ul>
--------------------	--



## Chapter 9: Spares and accessories

### Chapter contents

- [9.1 Spares on page 58](#)
- [9.2 Accessories on page 59](#)

## 9.1 Spares

Description	Part number
RealVision™ 3D 25-pin locking collar kit	R70615

## 9.2 Accessories

Description	Part number
RealVision™ 3D Transducer right-angled adapter cable 400 mm (15.7 in.)	A80515
RealVision™ 3D Transducer extension cable 3 m (11.8 ft.)	A80475
RealVision™ 3D Transducer extension cable 5 m (19.7 ft.)	A80476
RealVision™ 3D Transducer extension cable 8 m (31.5 ft.)	A80477
RealVision™ 3D Transducer Y-cable for connecting split pair transducers. Cable length: 0.3 m (0.98 ft.)	A80478



# Index

## A

Accessories .....	59
anti-fouling paint.....	49
Anti-rotation bolt cap.....	28

## C

Cable extension .....	35
Cable protection.....	34
Cable routing.....	35
Calibration	
RealVision™ 3D.....	42
Cleaning .....	49
Compatible products.....	15
Connections	
General cabling guidance.....	34
Contact details.....	52

## D

Declaration of Conformity.....	7
Diagnostics.....	53
Documentation	
Installation instructions .....	12
Mounting template.....	12
Operation instructions .....	12, 43

## E

Electromagnetic Compatibility.....	24
EMC, <i>See</i> Electromagnetic Compatibility	

## F

FAQs.....	54
-----------	----

## I

Installation	
Multiple transducers .....	21
Testing .....	21
IP address.....	53

## K

Knowledge base.....	54
---------------------	----

## L

LightHouse 3 .....	12
LightHouse™ 3	
Tips and Tricks .....	54
Location requirements .....	22

## M

Maintenance.....	7
------------------	---

## N

Nut sizes.....	26
----------------	----

## O

Operation instructions.....	43
Operation instructions, LightHouse 3.....	12

## P

Parts supplied, RV-3xx.....	16
Product information.....	53
Product overview.....	14
Product recycling (WEEE) .....	8
Product support.....	52

## R

RealVision™ 3D transducer .....	13
---------------------------------	----

## S

Service Center.....	52
Servicing.....	7
Spares .....	58
Strain relief, <i>See</i> Cable protection	
Support forum .....	54

## T

Technical specification.....	55–56
Technical Specification	
Conformance .....	56
Environmental.....	56
Physical.....	56
RealVision 3D Sonar .....	56
Technical support.....	52, 54
Training courses.....	54
Transducer cable length.....	17
Transducer location.....	22
Transducer orientation .....	23
Troubleshooting .....	43

## V

Video Gallery.....	54
--------------------	----

## W

Warranty .....	52
WEEE Directive.....	8







**Raymarine**

Marine House, Cartwright Drive, Fareham, Hampshire.  
PO15 5RJ. United Kingdom.

Tel: +44 (0)1329 246 700

[www.raymarine.com](http://www.raymarine.com)

**Raymarine®**

a brand by  **FLIR®**